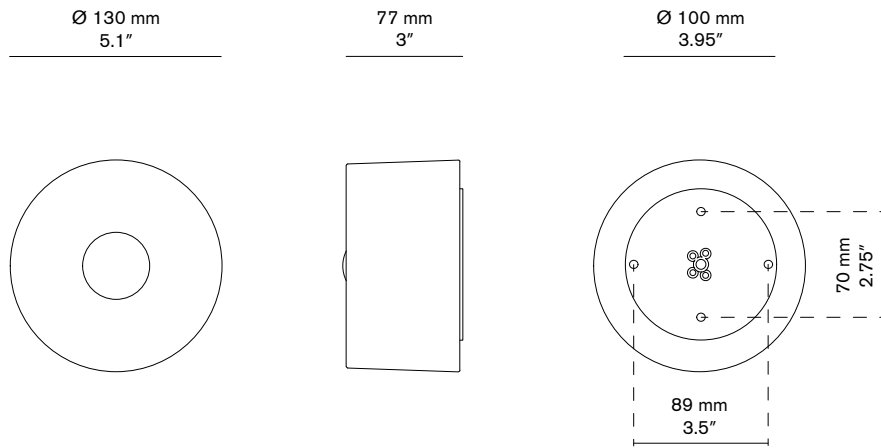


CAST GLASS ANTON MINI



Material

Cast Glass, Brass

Backing Plate

Chrome (standard); Brushed Nickel; White; Brushed, Aged or Bronzed Brass.

Diffuser

$\text{Ø } 45 \text{ mm}$ / 1.8" Frosted Glass

Weight

2.5 kg / 5.5 lb

AU / EU / UK

Lamp: 240V G9 LED

Specs: 2700K, 2.5W, 250 lm

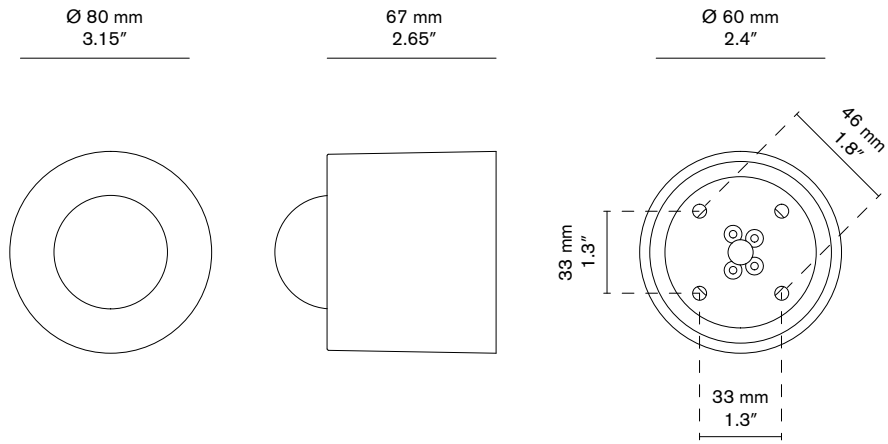
Dimming: Trailing Edge

Optional

12V, DALI, 0-10V



CAST GLASS ANTON MICRO



Material

Cast Glass, Brass

Backing Plate

Chrome (standard); Brushed Nickel; White; Brushed, Aged or Bronzed Brass.

Diffuser

Ø 45 mm / 1.8" Frosted Glass

Weight

0.7 kg / 1.6 lb

AU / EU / UK

Lamp: 240V G9 LED

Specs: 2700K, 2.5W, 250 lm

Dimming: Trailing Edge

Optional

12V, DALI, 0-10V

