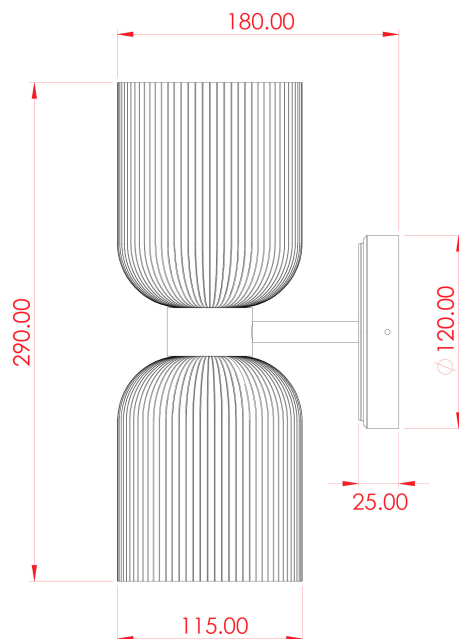


SAKURA Ceramic Wall Light

Antique Brass



MATERIAL Brass | Ceramic

HEIGHT 29cm | 11.42"

WIDTH | DIAMETER 11cm | 4.33"

LENGTH | PROJECTION 18cm | 7.09"

WEIGHT 2KG | 4.41lbs

LAMP HOLDER E27 or E26 *

MAX WATTAGE 40W x 2

VOLTAGE 220/240v or 110/120v *

IP RATING 20

CLASS PROTECTION I

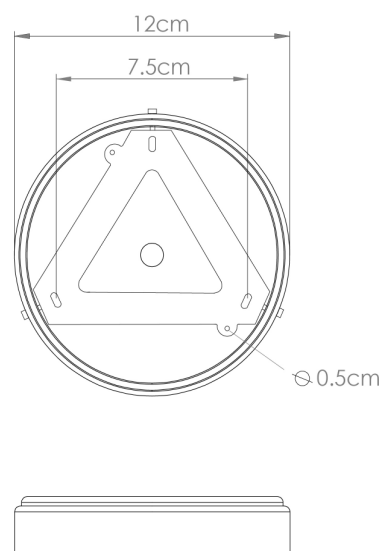
SHADE CODE MLCS076 x2

CABLE | CHAIN | BAR LENGT n/a

CABLE TYPE -

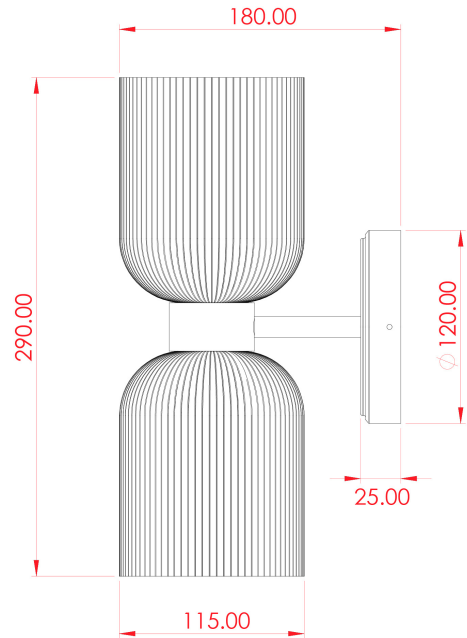
Fixing Bracket MLWB17| Antique Brass

* Fixing bracket may differ for UL wired products.



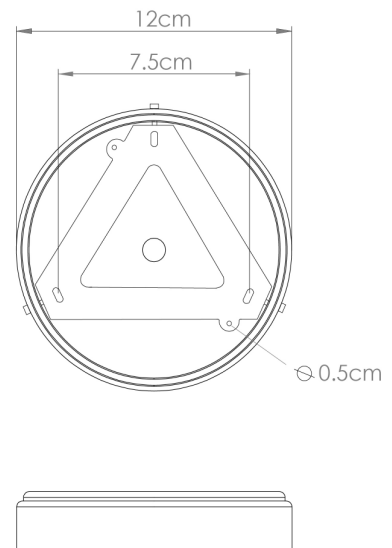
SAKURA Ceramic Wall Light

Antique Silver



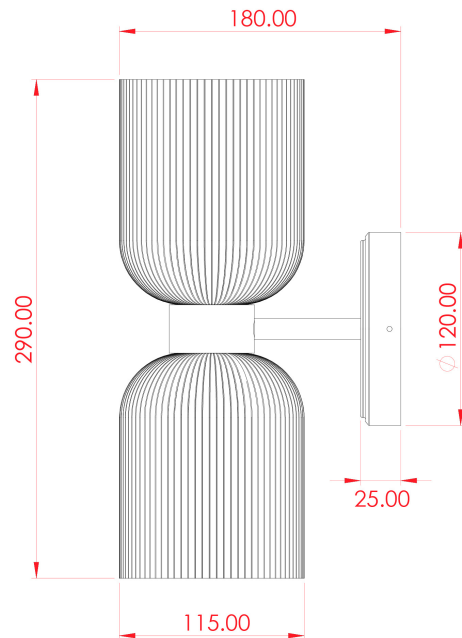
MATERIAL	Brass Ceramic
HEIGHT	29cm 11.42"
WIDTH DIAMETER	11cm 4.33"
LENGTH PROJECTION	18cm 7.09"
WEIGHT	2KG 4.41lbs
LAMP HOLDER	E27 or E26 *
MAX WATTAGE	40W x 2
VOLTAGE	220/240v or 110/120v *
IP RATING	20
CLASS PROTECTION	I
SHADE CODE	MLCS076 x2
CABLE CHAIN BAR LENGT	n/a
CABLE TYPE	-

Fixing Bracket MLWB17| Antique Silver
* Fixing bracket may differ for UL wired products.



SAKURA Ceramic Wall Light

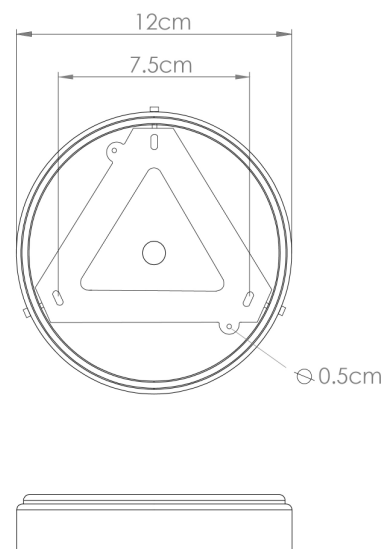
Matt Black



MATERIAL	Brass Ceramic
HEIGHT	29cm 11.42"
WIDTH DIAMETER	11cm 4.33"
LENGTH PROJECTION	18cm 7.09"
WEIGHT	2KG 4.41lbs
LAMP HOLDER	E27 or E26 *
MAX WATTAGE	40W x 2
VOLTAGE	220/240v or 110/120v *
IP RATING	20
CLASS PROTECTION	I
SHADE CODE	MLCS076 x2
CABLE CHAIN BAR LENGT	n/a
CABLE TYPE	-

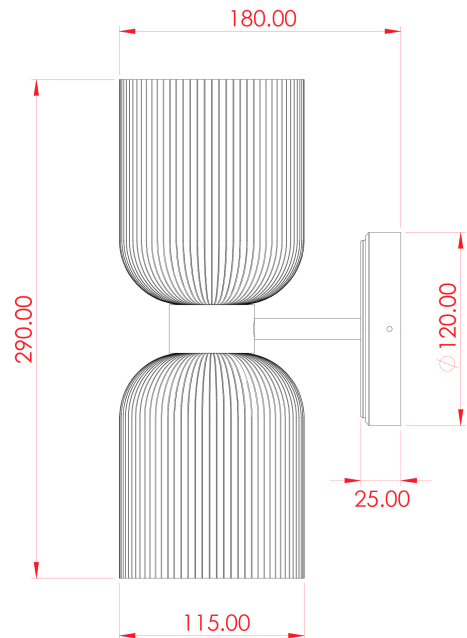
Fixing Bracket MLWB17

* Fixing bracket may differ for UL wired products.



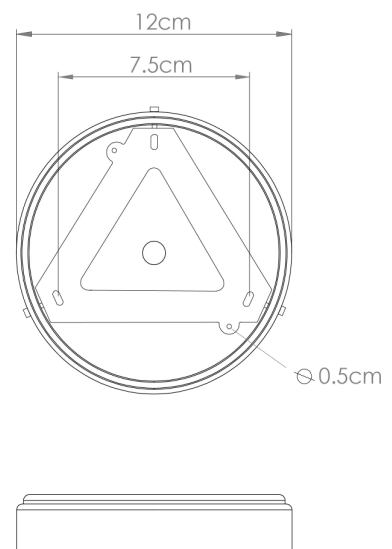
SAKURA Ceramic Wall Light

Polished Brass



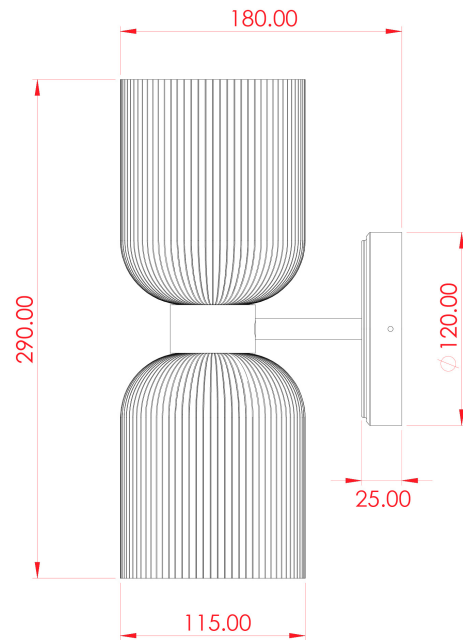
MATERIAL	Brass Ceramic
HEIGHT	29cm 11.42"
WIDTH DIAMETER	11cm 4.33"
LENGTH PROJECTION	18cm 7.09"
WEIGHT	2KG 4.41lbs
LAMP HOLDER	E27 or E26 *
MAX WATTAGE	40W x 2
VOLTAGE	220/240v or 110/120v *
IP RATING	20
CLASS PROTECTION	I
SHADE CODE	MLCS076 x2
CABLE CHAIN BAR LENGT	n/a
CABLE TYPE	-

Fixing Bracket MLWB17| Polished Brass
* Fixing bracket may differ for UL wired products.



SAKURA Ceramic Wall Light

Satin Brass



MATERIAL	Brass Ceramic
HEIGHT	29cm 11.42"
WIDTH DIAMETER	11cm 4.33"
LENGTH PROJECTION	18cm 7.09"
WEIGHT	2KG 4.41lbs
LAMP HOLDER	E27 or E26 *
MAX WATTAGE	40W x 2
VOLTAGE	220/240v or 110/120v *
IP RATING	20
CLASS PROTECTION	I
SHADE CODE	MLCS076 x2
CABLE CHAIN BAR LENGT	n/a
CABLE TYPE	-

Fixing Bracket MLWB17| Satin Brass
* Fixing bracket may differ for UL wired products.

