

# W700.SIP Surface-Mounted Outdoor Linear Wall Light

## Datasheet

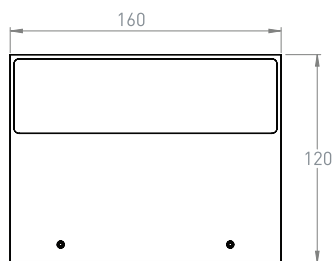


### Product Codes

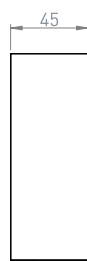
<b>Unit:</b> W700.SIP	<b>Series:</b> LN	<b>Colour temp. (K):</b> 3K (3000K)	<b>Beam Angle:</b> AS (Asymmetric)	<b>Colour:</b> B (Black) W (White)	<b>Control:</b> PHASE (PHASE)	<b>Version:</b> 1.0
--------------------------	----------------------	--	---------------------------------------	--	----------------------------------	------------------------

### Dimensions (mm)

Top view

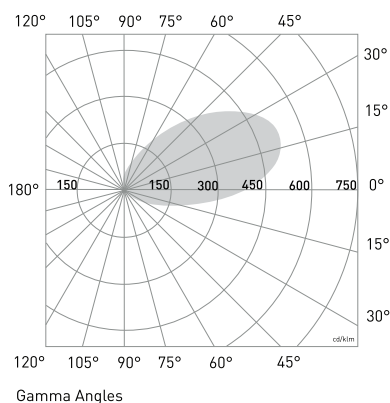


Side view



### Photometrics

#### Photometric Diagrams



#### CCT Outputs

**CCT:** 3000K  
**Efficacy:** 81lm/W  
**Delivered lumen output:** 805lm  
**CRI:** 90  
**Standard deviation of colour Matching (SDCM):** 3 MacAdam steps

### Electrical

<b>Input Voltage:</b> 220-240V	<b>Power Usage:</b> 10W
-----------------------------------	----------------------------

## Physical

**Gimbal Angle (°):**  
Fixed

**IP Rating:**  
IP65

**Driver Power Factor:**  
>0.9

**Dimmable:**  
Yes

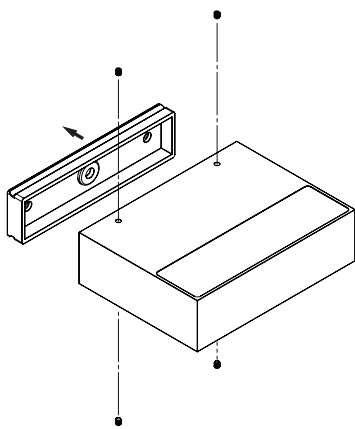
## Operational

**Ambient Temp.:**  
-20°C to 45°C

**Lifetime L70, B10:**  
50,000 hrs

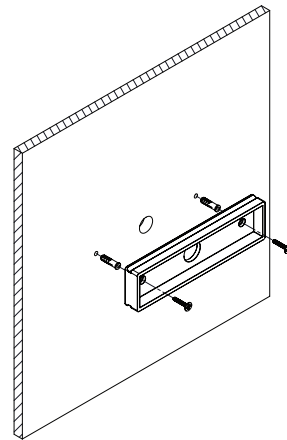
**Warranty:**  
7 Years

## Installation



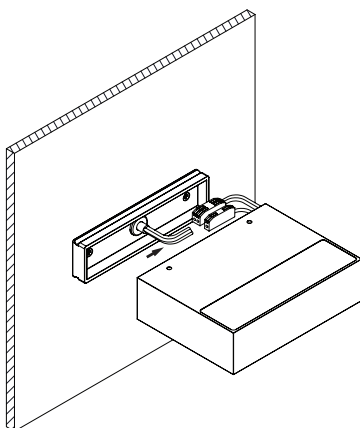
### Step 1

Unscrew and remove the mounting bracket.



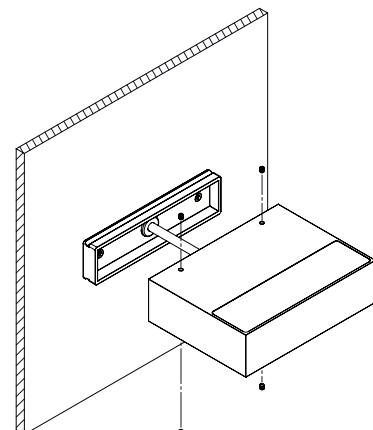
### Step 2

Drill holes on the surface where the light will be installed, and fix the mounting bracket on the surface.



### Step 3

Thread the power cable through the seal, and connect the wires accordingly.

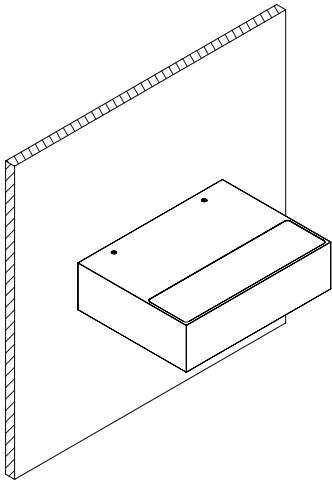


### Step 4

Attach the luminaire onto the mounting bracket and fix using screws.

## Installation

---



### Step 5

Installation complete.