

SINGLE CIRCUIT TRACK SERIES

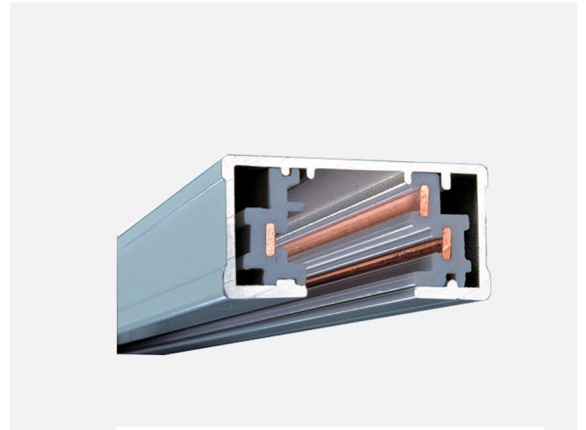
INTRODUCTION

The TLI-TR range accompanies the track lights we have. With all the accessories required to complete your desired look, there is nothing too difficult for systems whether it be corners, suspended or extremely long runs.

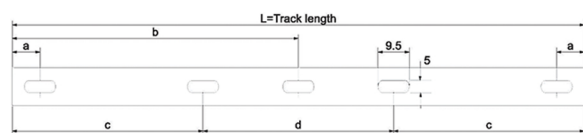
PRODUCT PARAMETERS

Product model	Track Length	Colour
TLI-1TR3CW	1M Track Single Circuit 3 Wire	White/Black
TLI-2TR3CW	2M Track Single Circuit 3 Wire	White/Black
TLI-3TR3CW	3M Track Single Circuit 3 Wire	White/Black

TLI-1TR3CW

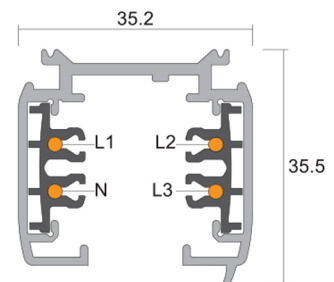
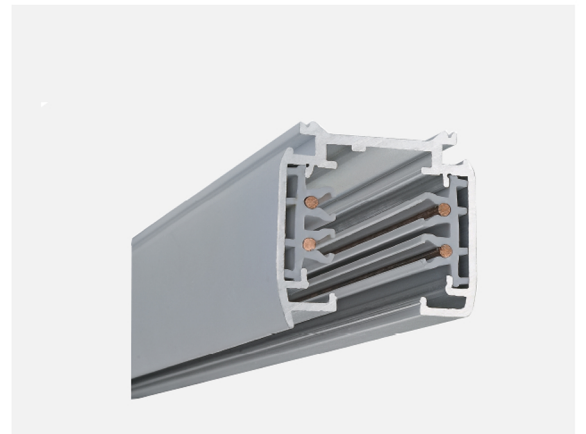


MECHANICAL SPECIFICATIONS



L / mm	a / mm	b / mm	c / mm	d / mm
1000	120			
2000	120	863		
3000	120		909	2086

TLI-TR4CW



TRACK ACCESSORIES

Image	Part Number	Description
	TLI-EC	Live end Connector
	TLI-LV	End Cap
	TLI-SJ	Mini Straight Joiner
	TLI-LJ	L Connector
	TLI-TJ	T Connector
	TLI-4J	Cross Connector
	TLI-3MSUS	3 Metre Suspension Kit