

T700.MINI.MAG Curve LED Tracklight

Datasheet



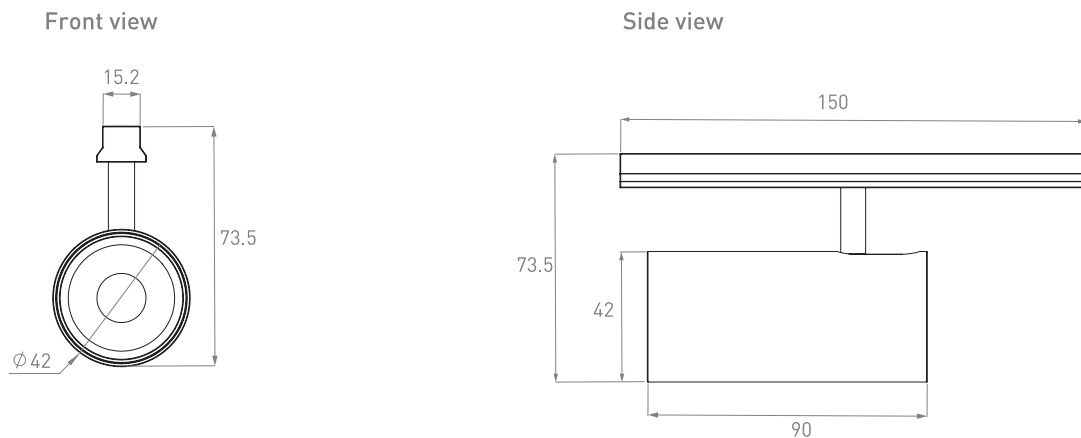
TRU-COLOUR®

Product Codes

Unit: T700.MINI	Track Type: MAG (Magnetic)	Family: CR	Colour temp. (K): 3K (3000K)	Beam Angle: 15 [15°](Special Order) 24 [24°](Special Order) 36 [36°] 55 [55°](Special Order)	Color: B (BLACK) W (WHITE)
---------------------------	--------------------------------------	----------------------	--	---	---

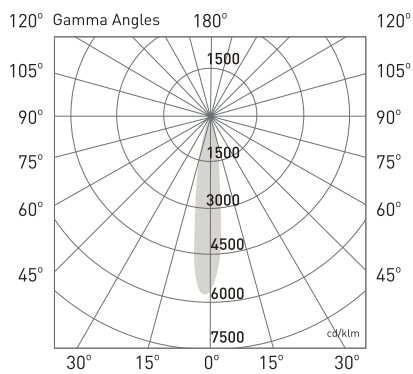
Input Voltage: 24V	Version: 1.0
------------------------------	------------------------

Dimensions (mm)

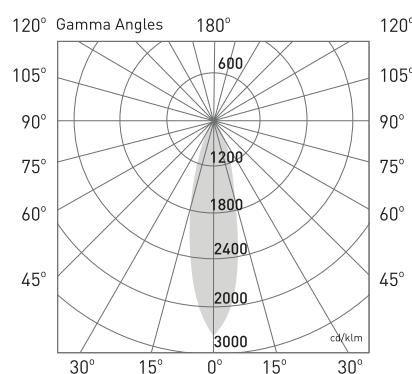


Photometrics

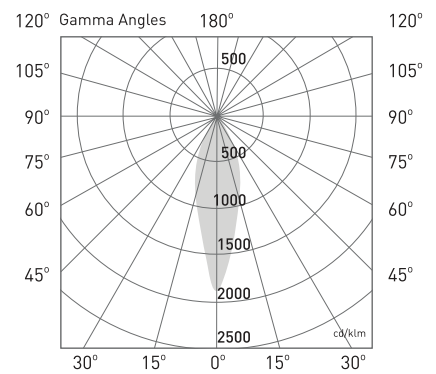
Photometric Diagram



Beam Angle: 15° (Special Order)



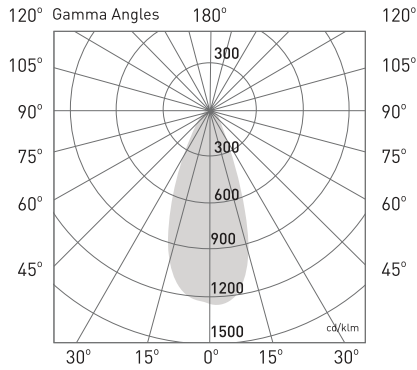
Beam Angle: 24° (Special Order)



Beam Angle: 36°

Photometrics

Photometric Diagram



Beam Angle: 55°

CCT Outputs

CCT: 3000K
Efficacy: 80lm/W
Delivered lumen output: 560lm
CRI: >95
Standard deviation of colour Matching (SDCM): 3 MacAdam steps

Electrical

Input Voltage:
DC24V

Driver Power Factor:
>0.9

Driver:
PHASE
DALI
ZIGBEE
0-10V
CASAMBI

Physical

Gimbal Angle (°):
90°/359°

IP Rating:
IP20

IK Rating:
IK06

Operational

Ambient Temp.:
-20°C to 50°C

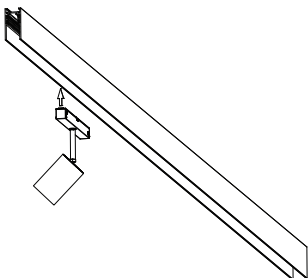
Warranty:
7 Years

Lifetime L70, B10:
70,000hrs

Installation

Step 1

Insert the light into the track, you should feel and hear the light snap securely in place.



Step 2

Once the light is locked into the track, orient the luminaire to focus the light as required.

