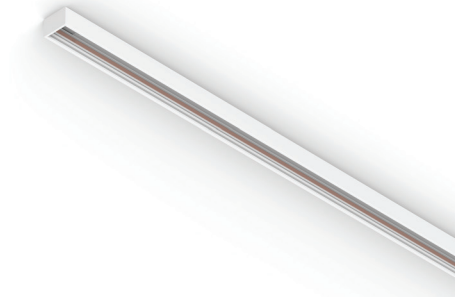


Magnetic Surface Track

Datasheet



Product Codes

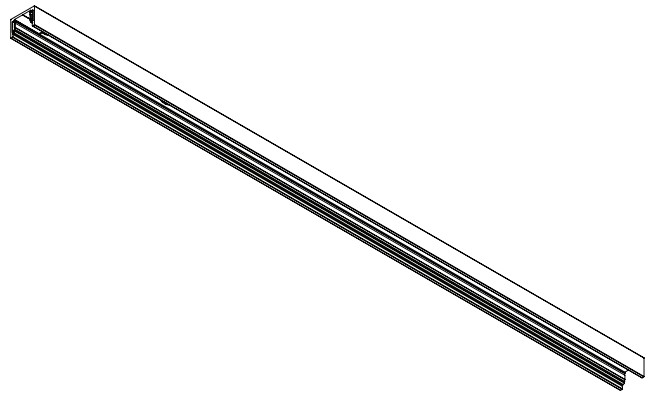
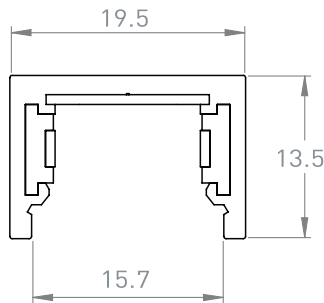
Unit:
MS (Magnetic Surface)

Length (m):
2 (2.0m)

Color:
B (Black)
W (White)

Version:
1.0

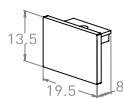
Track Dimensions (mm)



Accessories Codes

Note: Measurement are in mm

Required Accessories

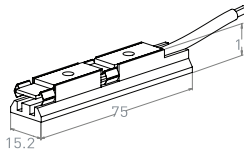


Unit:
EC (End cap)

Snap Type:
MS/MRT (Surface/
Recessed Trimless)

Color:
B (Black)
W (White)

Version:
1.0



LEC (Live End Connector)

Unit:
COM-MAG-COVER

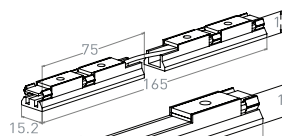
Snap Type:
MS/MRT (Surface/
Recessed Trimless)

Length:
2 (2m)

Color:
B (Black)
W (White)

Version:
1.0

Optional Accessories

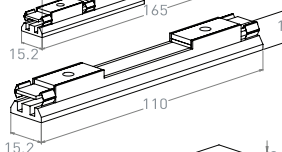


Unit:
LFC (Live Flexible Connector)

Snap Type:
MS/MRT (Surface/
Recessed Trimless)

Color:
B (Black)
W (White)

Version:
1.0



LSC (Live Straight Connector)



CB (Connection Bracket)

Accessories Codes

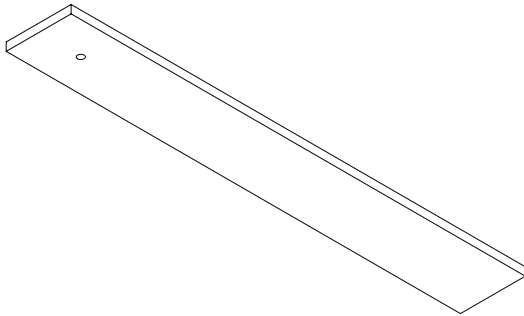
Accessories included with the Track

2m track:

2x EC-MS/MRT-W-1.0 or EC-MS/MRT-B-1.0 (end caps)

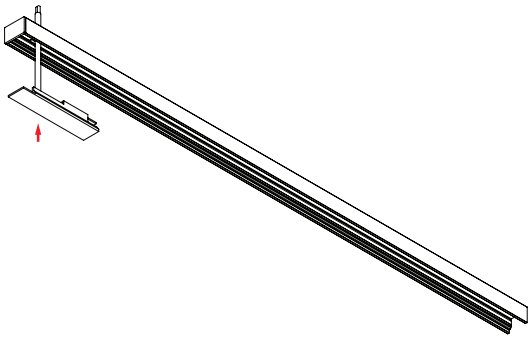
1x COM-MAG-COVER-MS/MRT-2-W-1.0 or
COM-MAG-COVER-MS/MRT-2-B-1.0 (track cover)

Installation



Step 1

Prepare a precise 8mm diameter hole cutout in the ceiling where the track will be mounted for power access.



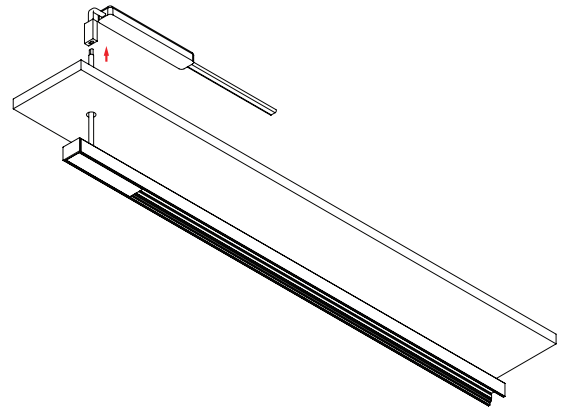
Step 3

Insert the live end connector (small rectangular component) into the track channel, and thread the power cable from the connector through the drilled hole.



Step 2

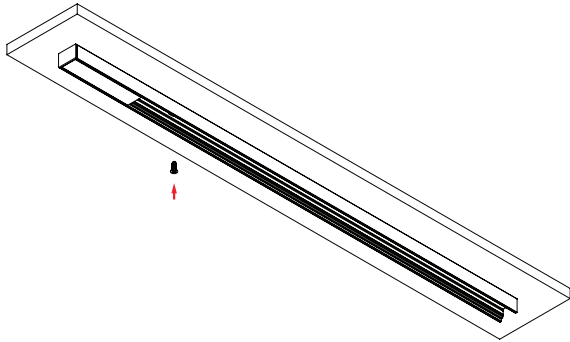
Drill a hole on one end of the aluminum track channel to create a pathway for the power wire to pass through.



Step 4

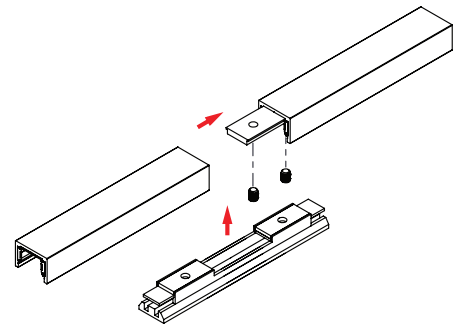
Route the track's power connecting wire through the ceiling hole and connect the positive/negative wires to a 24V power supply.

Installation



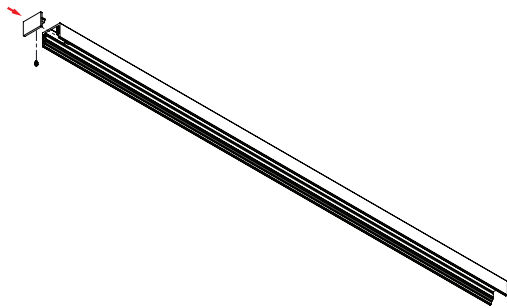
Step 5

Secure the track firmly to the ceiling using the provided mounting screws, ensuring it's level and properly aligned.



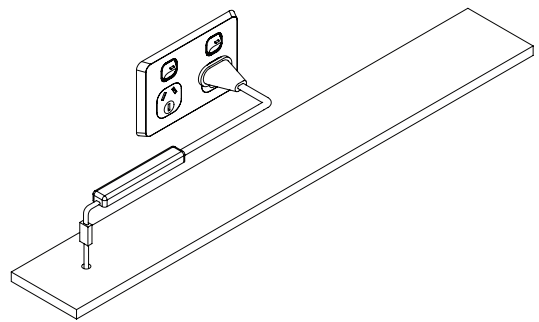
Step 6

For longer installations, connect multiple track sections using the connection bracket and straight connector that slide into place.



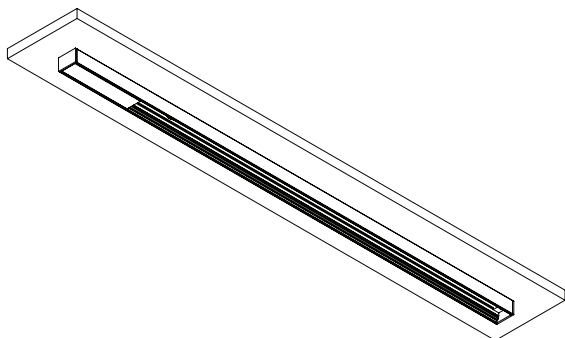
Step 7

Attach the end caps to both ends of the track assembly to create a finished, professional appearance.



Step 8

Plug the LED driver (power transformer) into a mounted general power outlet (GPO) to provide electricity to the system.



Step 9

Verify all connections are secure and test that the magnetic track lighting system powers on correctly.