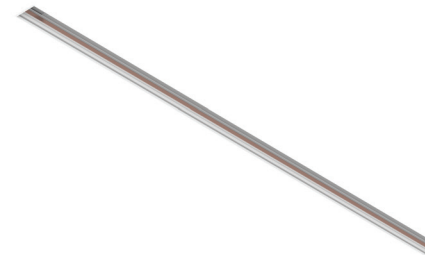


Magnetic Recessed Trimless Track

Datasheet



Product Codes

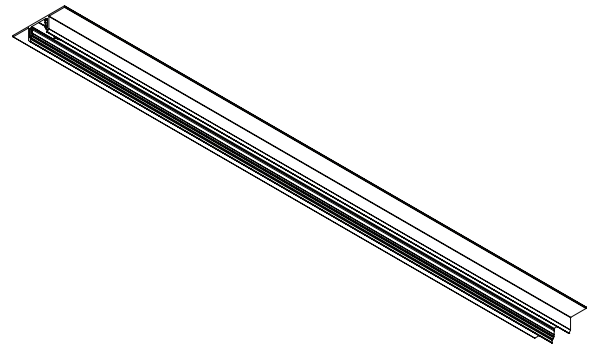
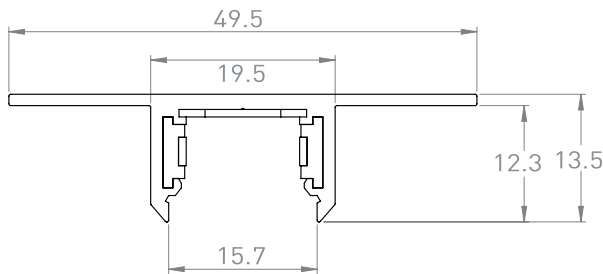
Unit:
MRT (Magnetic Recessed Trimless)

Length (m):
2 (2.0m)

Color:
B (Black)
W (White)

Version:
1.0

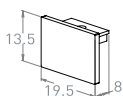
Track Dimensions (mm)



Accessories Codes

Note: Measurement are in mm

Required Accessories

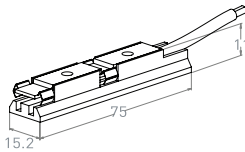


Unit:
EC (End cap)

Snap Type:
MS/MRT (Surface/
Recessed Trimless)

Color:
B (Black)
W (White)

Version:
1.0



LEC (Live End Connector)

Unit:
COM-MAG-COVER

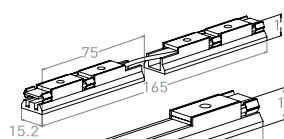
Snap Type:
MS/MRT (Surface/
Recessed Trimless)

Length:
2 (2m)

Color:
B (Black)
W (White)

Version:
1.0

Optional Accessories

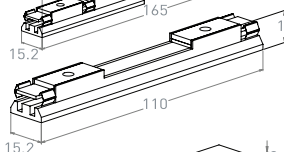


Unit:
LFC (Live Flexible Connector)

Snap Type:
MS/MRT (Surface/
Recessed Trimless)

Color:
B (Black)
W (White)

Version:
1.0



LSC (Live Straight Connector)



CB (Connection Bracket)

Accessories Codes

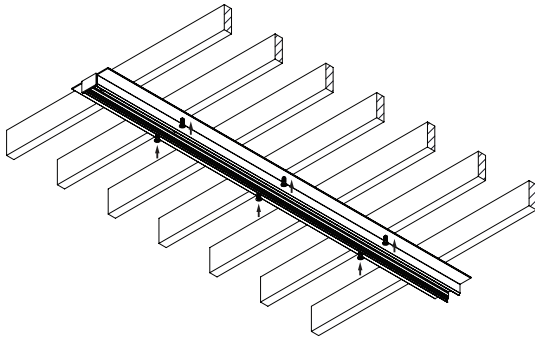
Accessories included with the Track

2m track:

2x EC-MS/MRT-W-1.0 or EC-MS/MRT-B-1.0 (end caps)

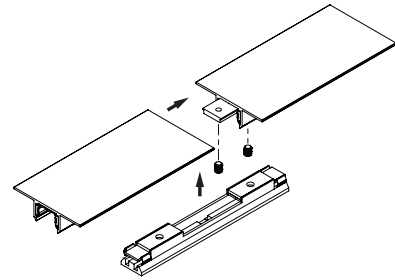
1x COM-MAG-COVER-MS/MRT-2-W-1.0 or
COM-MAG-COVER-MS/MRT-2-B-1.0 (track cover)

Installation



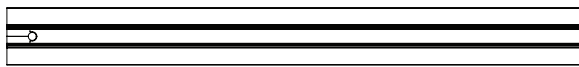
Step 1

Attach the track to ceiling battens with the screws provided, ensuring proper alignment for the lighting system.



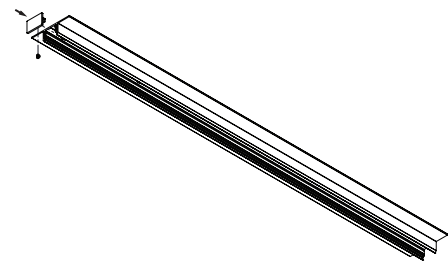
Step 2

Connect multiple lengths of tracks using connection bracket and live straight connector where multiple track sections are required.



Step 3

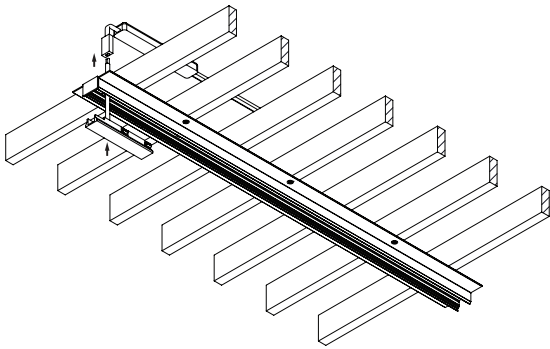
Drill a hole on one end of the track for wire to go through, creating access for power connection.



Step 4

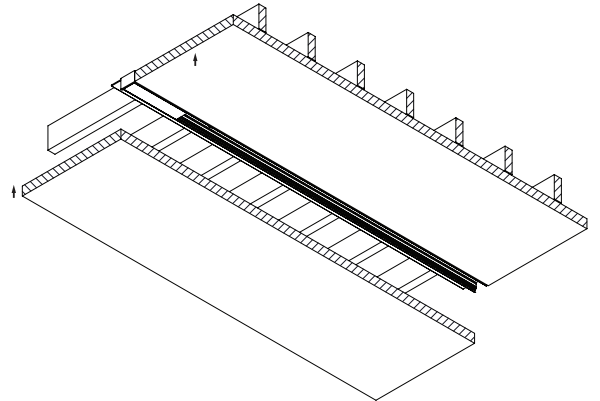
Attach the end caps to each exposed end of the track system for a clean, finished appearance.

Installation



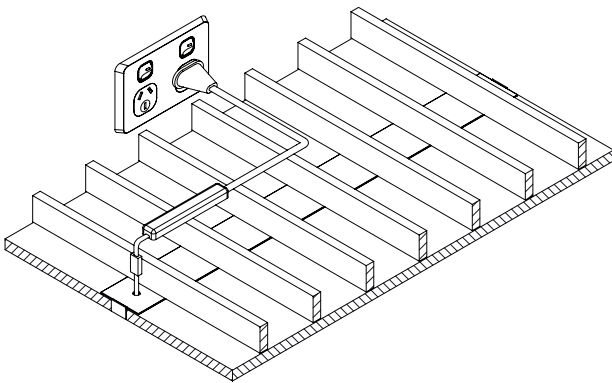
Step 5

Slide the live end connector into the track, route the track connection wire through ceiling battens and connect it to a 24V driver.



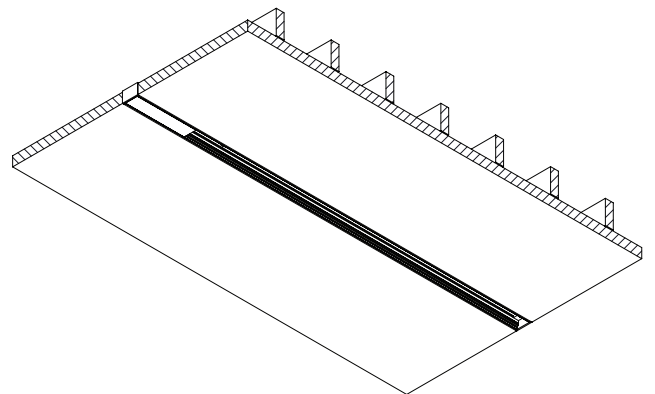
Step 6

Cut the plaster sheet and screw them into ceiling battens up to the edge of the track, creating a trimless, flush installation.



Step 7

Plug the driver into a mounted general power outlet (GPO) to provide electricity to the lighting system.



Step 8

Installation complete - verify all connections and test the lighting system for proper operation.