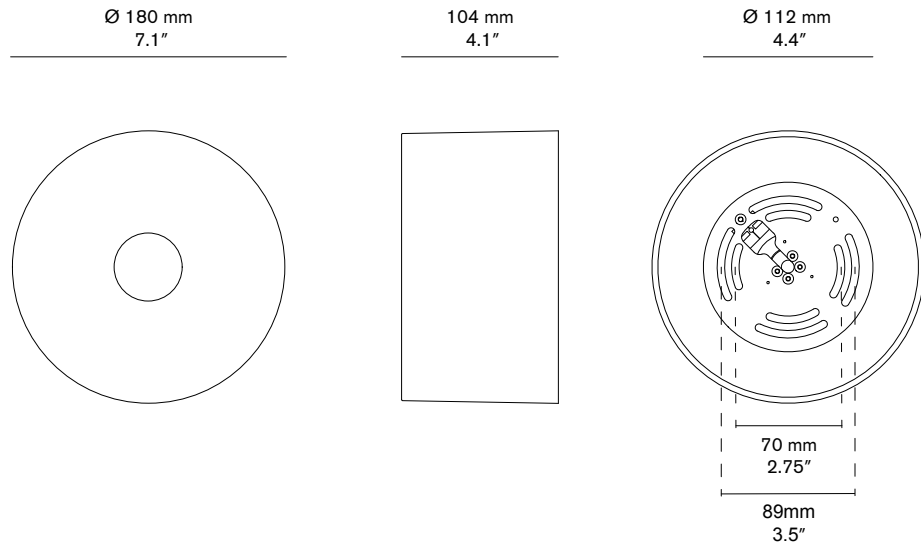


# BLOWN GLASS ANTON OPAL



## Material

Murano Blown Glass

## Colour

Opal White, Honey, Powder Blue

## Diffuser

Ø 45 mm / 1.8" Frosted Glass

## Weight

1 kg / 2.2 lb

## AU / EU / UK

Lamp: 12V LED PCB

Specs: 2700K, 8W, 700 lm

Dimming: Trailing Edge

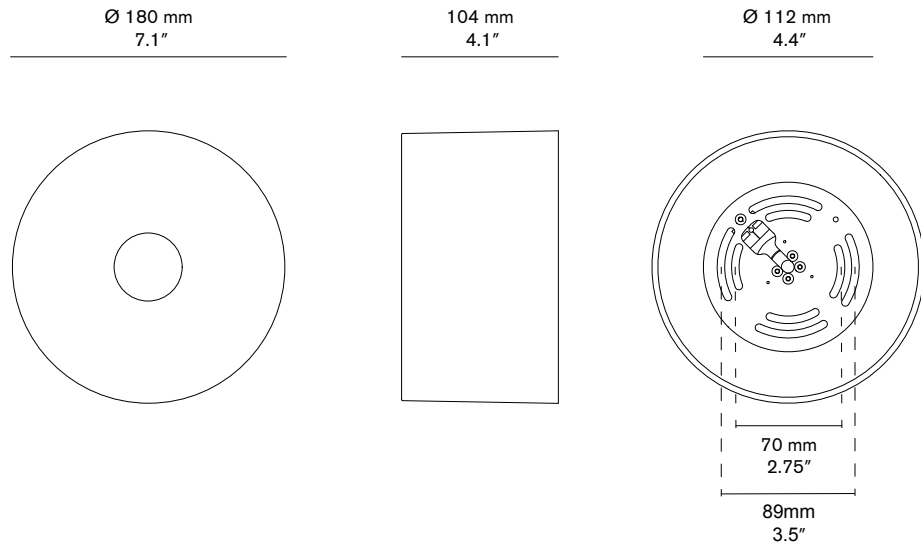
Driver: 240V (output 12V, 30W)

## Optional

240V, DALI, 0-10V



# BLOWN GLASS ANTON CLEAR



## Material

Murano Blown Glass, Brass

## Colour

Transparent Clear, Amber, Smoke or Red

## Backing Plate

Brushed, Aged or Bronzed Brass;  
Brushed Nickel; Chrome Plated; Painted

## Diffuser

Ø 45 mm / 1.8" Frosted Glass

## Weight

1 kg / 2.2 lb

## AU / EU / UK

Lamp: 12V LED PCB

Specs: 2700K, 2.5W, 250 lm

Dimming: Trailing Edge

Driver: 240V (output 12V, 30W)

## Optional

240V, DALI, 0-10V

