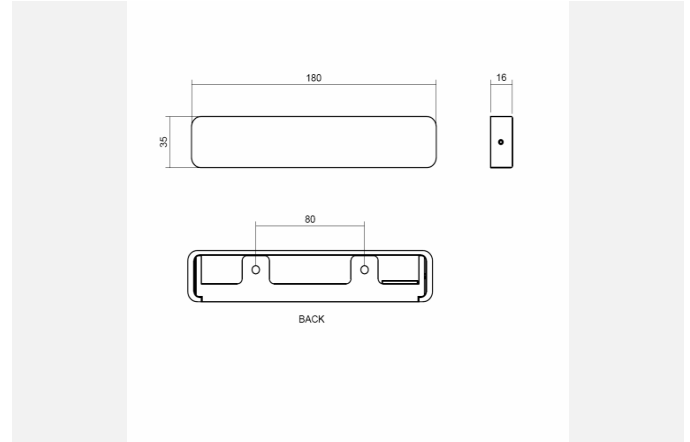


# TLI-517

## Slimline surface grazing lighting



### INTRODUCTION

The TLI-517 is a slimline, reduced height grazing light for stair-tread and similar wayfinding applications. Crafted from solid brass or aluminium billets, the TLI-517 features a 24V CV LED engine with etched glass diffuser for a soft, high quality illumination. Direct 24VDC dimmable.

### SPECIFICATIONS

Product Code	TLI-517
Construction Material	CNC Machined Brass, CNC Machined Aluminium
IP Rating	IP65
Warranty	7 Year

### CONFIGURED OPTIONS

Body Colour	Black, White, Bronze, Basalt, Chrome, Aged Brass, Copper, Natural Brass
Control Gear	24V DC 2-Wire
Rated Power	2W
Nominal Lumens	340 lm
CCT / Colour	3000K
Optical	DF
CRI	80
Other	500mm 2-Core Standard Cable
Dimming	2-Wire PWM Power