



## CARST PENDANT

Carved + Cast = CARST. The CARST light is made through a unique process where a hand-carved block of aerated concrete is used to create a cast in solid aluminum.

After the raw cast is formed, the edges are hand polished to produce a contrast between the textured body and the mirror polished edges. A powerful LED light source emits a soft, diffused glow, to create a warm, ambient effect.

The CARST pendant blends functionality with a subtle, sculptural presence.

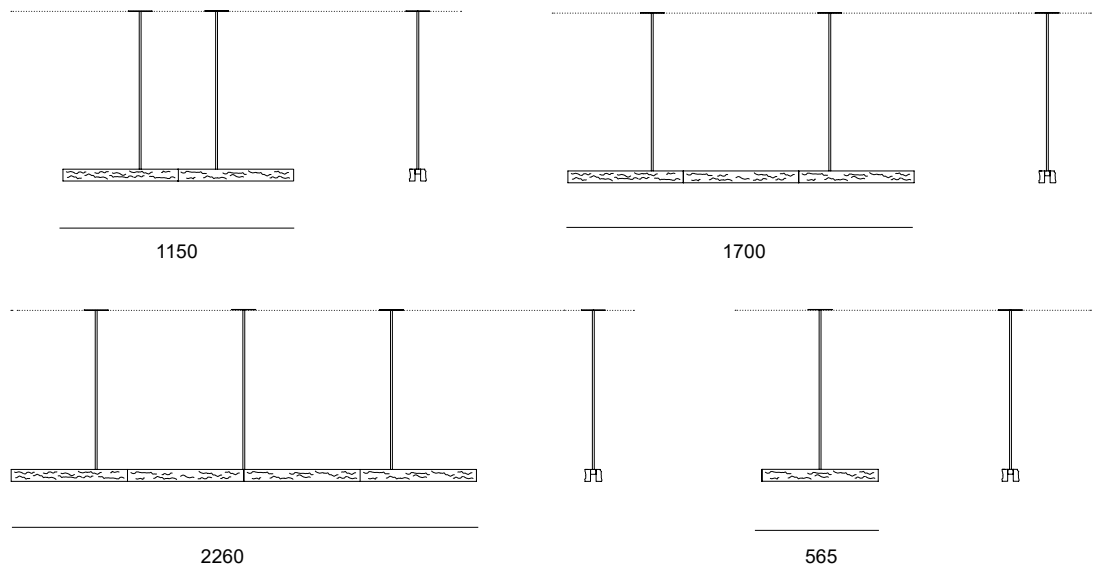
## SPECIFICATIONS

WARRANTY	12 Months	LIGHT SOURCE	24V warm white (3000K) LED
MOUNTING	Ceiling	VOLTAGE	24V
WEIGHT	6-22 KG	POWER	12-52W
ENVIRONMENT	Indoor	SUPPLY INCLUDED	Yes -240V (AUS/NZ) / 120V(US) to 24V
MATERIALS	Solid, cast Aluminium		

## FINISH OPTIONS



CAST ALUMINIUM



View next page for sizing and technical specifications.

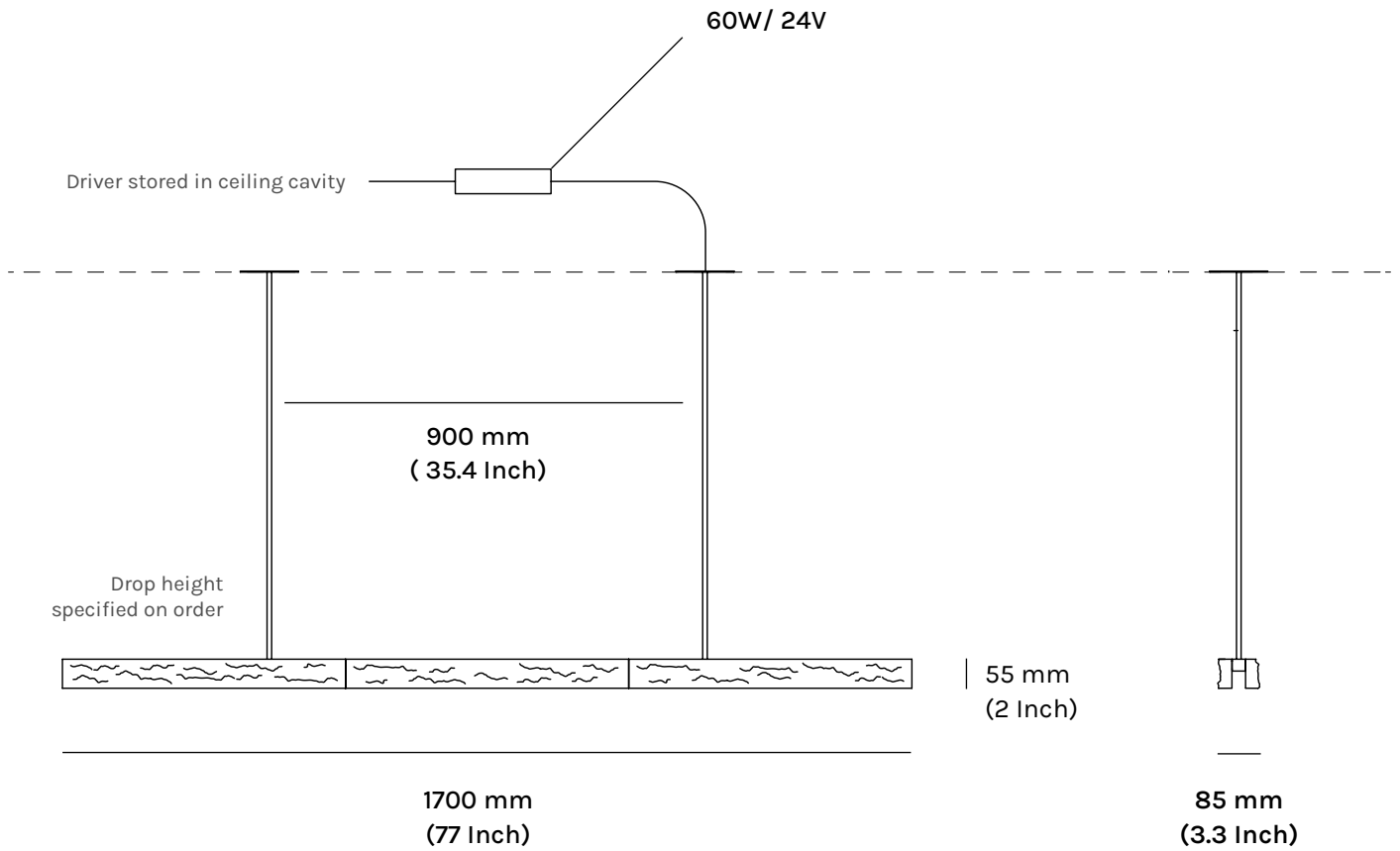
# B-TD

Technical Specifications

## SIZING

TRIPLE

**67"**  
1700 mm  
POWER: 38W  
16kg



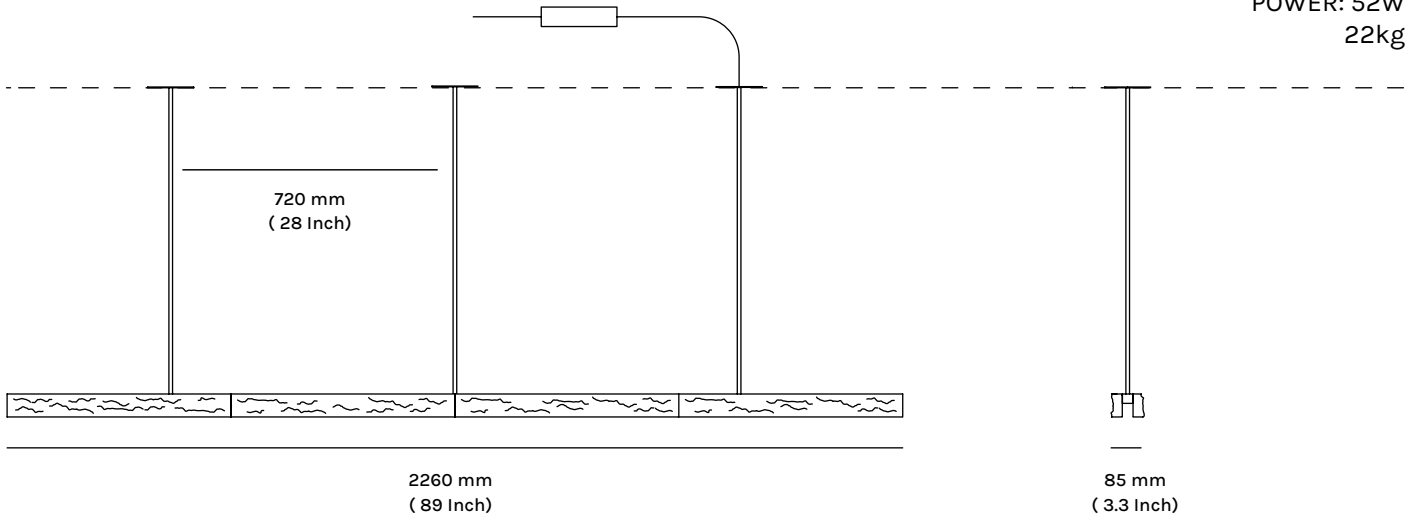
View next page for more size options.

# B-TD

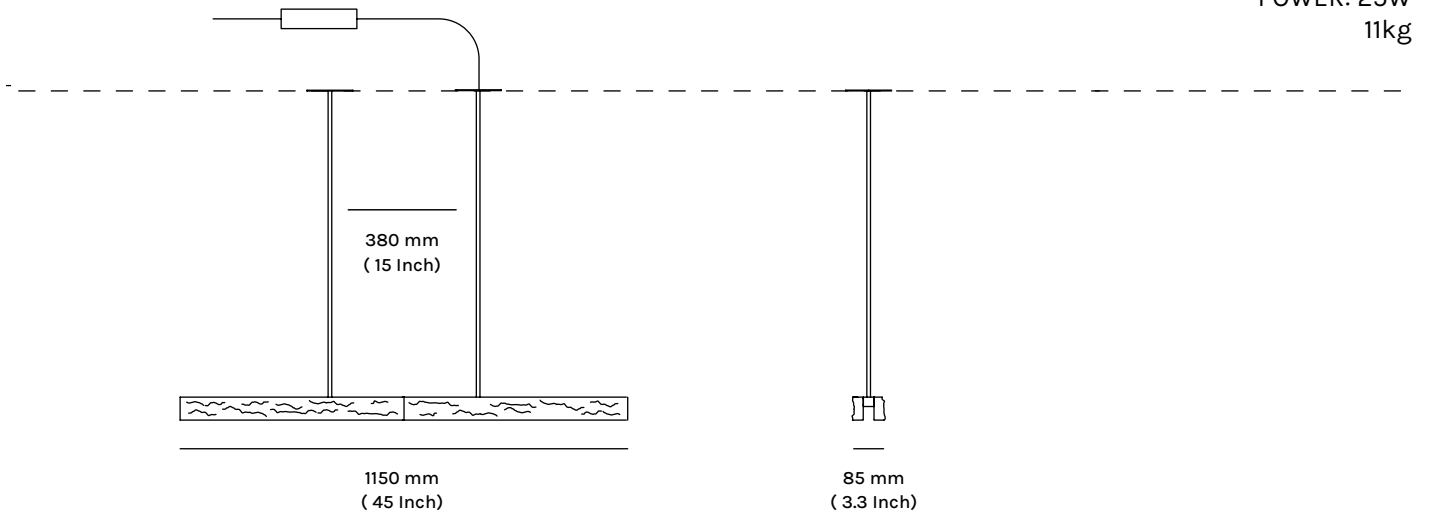
Technical Specifications

## SIZING

QUAD



DOUBLE



SINGLE

