



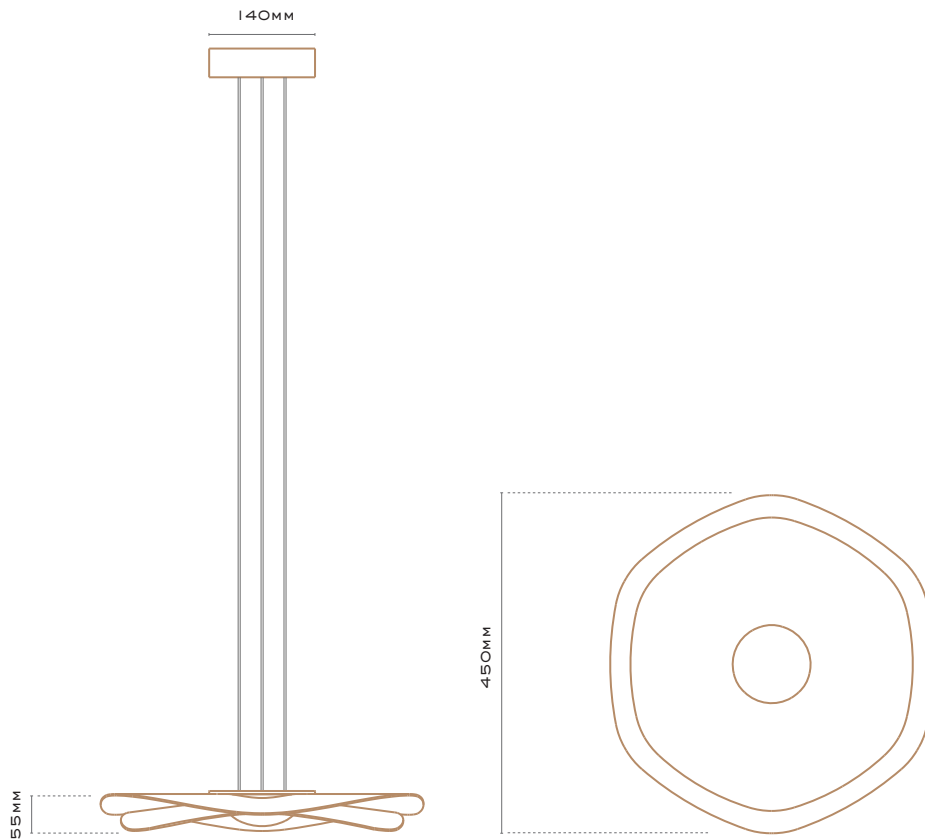
Nightworks®  
STUDIO

**la-de-da!**

450 PENDANT



NIGHTWORKSSTUDIO.COM



## LA~DE~DA 450 PENDANT



### COLOURS:

- Ember (Rich Red)
- Chrome
- Bay (Anodised Matte Gold)
- Silk (Grey)

### COLOUR TEMPERATURE STANDARD

Default setting - 3500K  
2700K or 4000K can be set on install.  
Communicate with your electrician if these options are desired.

### OPTIONAL CASAMBI CONTROLLER

Tunable White 2700K - 4000K  
Full dimming and colour temperature control via Casambi App

### CABLE & MOUNTING

3000mm silver cable  
Colour matched ceiling rose



### LIGHT FITTING:

#### SUPPLY

220v-240v mains supply into integrated driver (housed in the canopy).  
NZ/AU Driver: LIFUD LF-GSD012YK  
USA Driver on request: LTECH SE-20-100-700-W2D

#### WATTAGE

13W, 350mA constant current

#### OUTPUT

- Lumen output: 600 lm
- CRI: 97
- LED lifetime: 50,000+ hours

#### IP RATING

IP20

#### DIMMING AND LIGHTING CONTROL

DALI, Casambi, Non dim.

Casambi controller available on request, allows total dimming and colour temperature control. Please consult a licensed electrician for wiring and refer to install guide for more information.

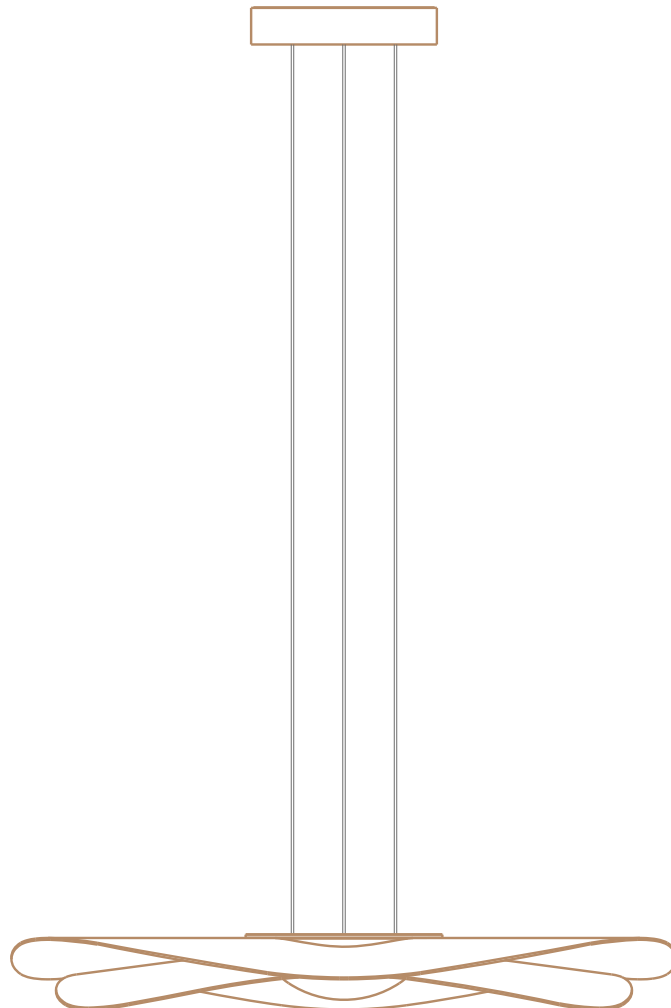
All fixtures must be installed by a licensed electrician. Please also consult a licensed electrician for any electrical, dimming and wiring enquiries.

For technical support please contact: [support@nightworksstudio.com](mailto:support@nightworksstudio.com)



## LA~DE~DA 750 PENDANT (IP20)

### *Installation guide*



*DANGER electric shock risk. Installation must be conducted by a licensed electrician.*

# LA~DE~DA 750 PENDANT

## Driver specifications / dimming and lighting controls



**DANGER** electric shock risk. Installation must be conducted by a licensed electrician.

### DRIVER SETTINGS / COLOUR TEMPERATURE AND DIMMING OPTIONS

**DRIVER:** LIFUD LED DALI DRIVER (housed in canopy)

**MODEL:** LF-GSD04oYG

**INPUT:** 220V - 240V

**OUTPUT** 30W, 700mA constant current

Plastic case: IP20 rated

### DIMMING AND LIGHTING CONTROL

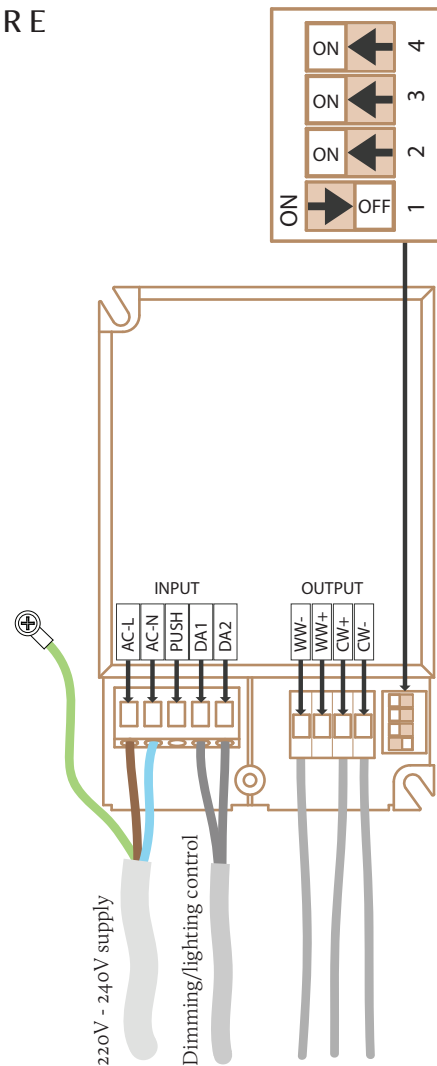
#### *DALI (dimming and tunable white control)*

Connect DALI control system to the DA1 and DA2 ports on the driver. Consult your DALI expert for all DALI wiring and control information.

#### *CASAMBI (dimming and tunable white control)*

Connect CASAMBI controller to the DA1 and DA2 ports on the driver. Casambi controller supplied on request.

Set up your light with the Casambi app for all dimming and lighting controls. Please refer to our Casambi guide for detailed instructions.

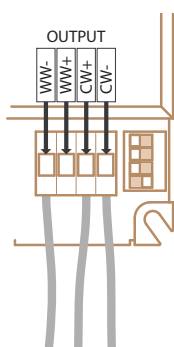


### SETTING COLOUR TEMPERATURE

This is for the instance that DALI or CASAMBI controllers are not installed or specified.

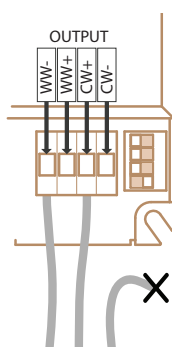
#### *3500K (default output)*

Both WW- and CW- ports connected. This produces a blend of the LEDs producing an output of 3500k. This is the default setting.



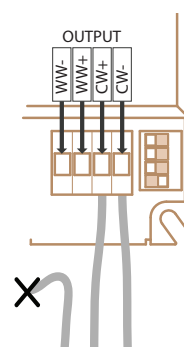
#### *2700K*

Disconnect the CW- output cable from the driver. WW- will allow power to the 2700K LEDs only.



#### *4000K*

Disconnect the WW- output cable from the driver. CW- will allow power to the 4000K LEDs only.



# LA~DE~DA 750 PENDANT

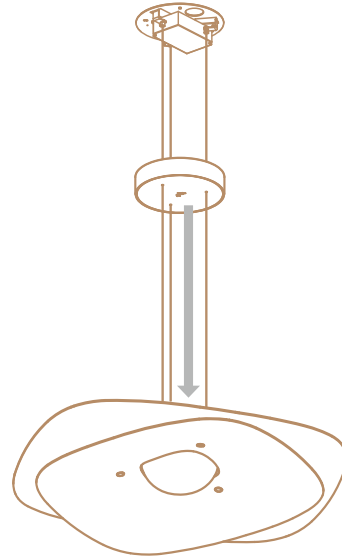
## Installation guide



**DANGER** electric shock risk. Installation must be conducted by a licensed electrician.

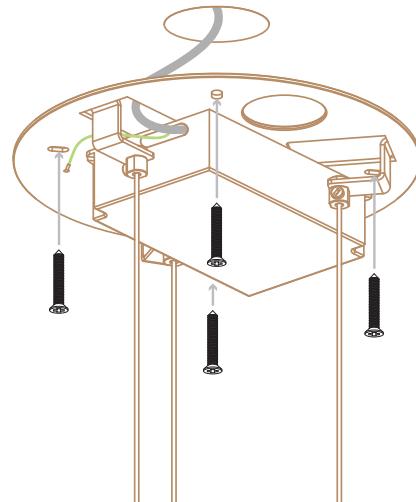
### STEP 1:

- Remove all items from box.
- Uncoil and straighten cords.
- Carefully remove magnetic canopy cover plate and thread through cables to rest on the top plate of the fitting.
- Please check previous page for dimming or light output information.



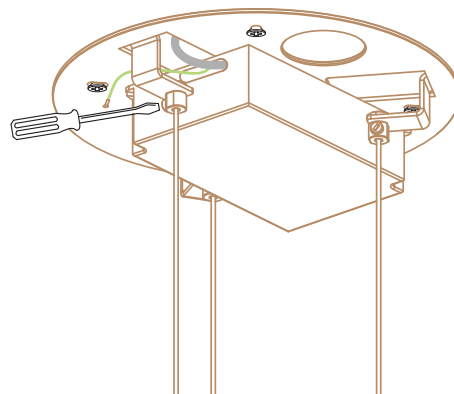
### STEP 2:

- Drill hole in the ceiling <math>\varnothing 60</math>.
- Affix bracket to ceiling in desired location and orientation of the fitting.
- Connect power supply to the LED driver fixed to the ceiling bracket. Connect earth terminal. Connect desired dimming solution if required. See illustrations and information on the previous page.



### STEP 3:

- Loosen cord grips and adjust the cables to the desired length. No trimming of the cables is necessary, slide excess cables into ceiling cavity or into canopy housing. Please perform this step with care and ensure the fitting is well secured while adjusting.
- Tighten grub screws to ensure fitting is secure.
- Check the fitting is level.

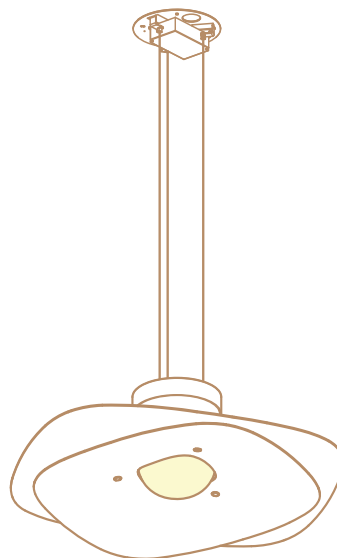


# LA~DE~DA 750 PENDANT

## *Installation guide*

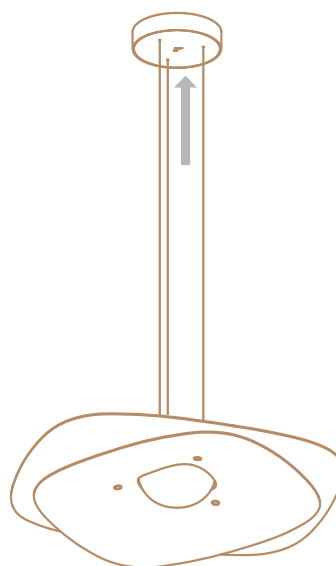
### STEP 4:

- Test power to luminaire.



### STEP 5:

- Slide the canopy cover plate up the cables carefully and secure in place using magnetic connection. Please ensure cables are clear of the connection and the canopy is sitting flush with the bracket.



## CONTACT US

[www.nightworksstudio.com](http://www.nightworksstudio.com)

[support@nightworksstudio.com](mailto:support@nightworksstudio.com)

(AU) 1300 568 369

(NZ) 0800 568 369

## WARRANTY & CARE



V. 24.08