



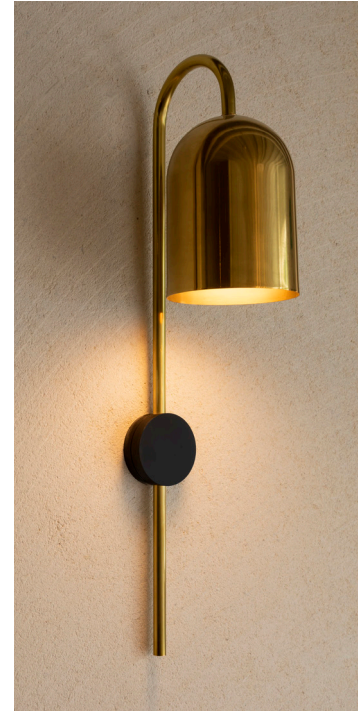
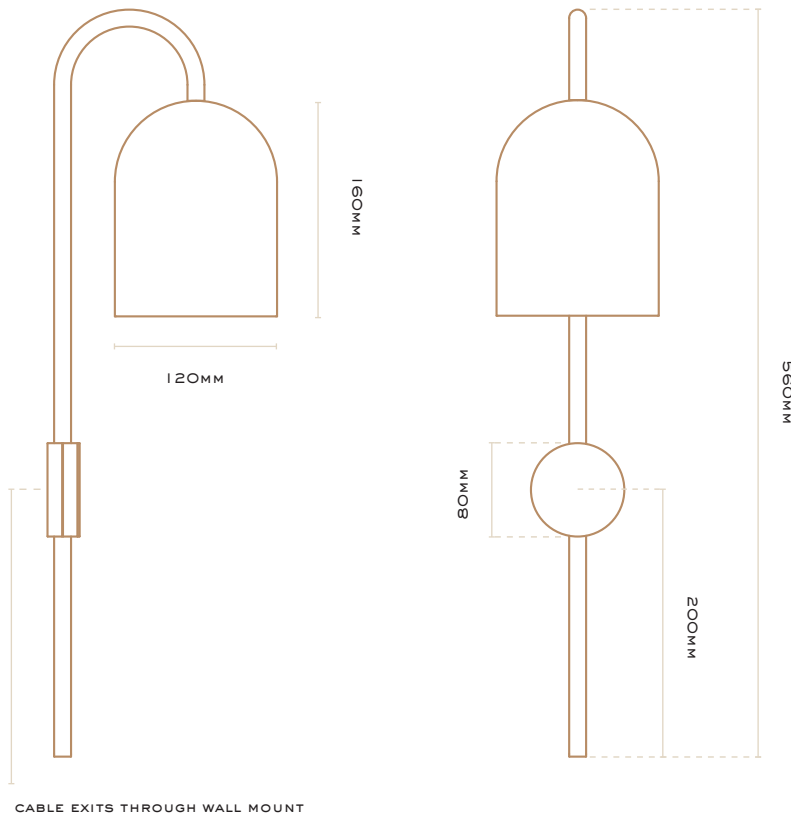
Nightworks®
STUDIO

DUOMO

PICCOLO STEM WALL LIGHT



NIGHTWORKSSTUDIO.COM



DUOMO PICCOLO STEM WALL LIGHT



COLOURS:

Natural Brass with Black wall mount
Whiskey Brass with Black wall mount
Midnight Brass with Black wall mount
Matte White with Natural Brass wall mount
Matte White with Brushed Nickel wall mount

COLOUR TEMPERATURE

Warm White 2700K



LEAD TIME:

Up to 6 weeks



LIGHT FITTING:

WATTAGE:

6W

IP RATING:

IP65 - Suitable for exterior and wet area use

REMOTE DRIVER (INCLUDED):

TCI Mini Jolly (size: 102mm x 38mm x 21mm)

Allow room in wall cavity or a distance up to 10m from fitting

DIMMING OPTIONS:

1-10V, Non-dim, Push (DALI available on request)

All fixtures must be installed by a licensed electrician. Please also consult a licensed electrician for any electrical, dimming and wiring enquiries.



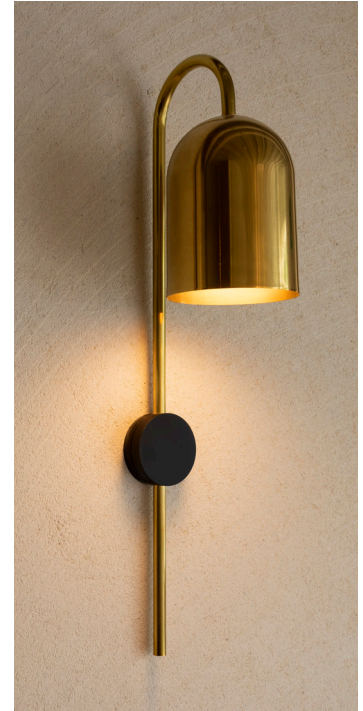
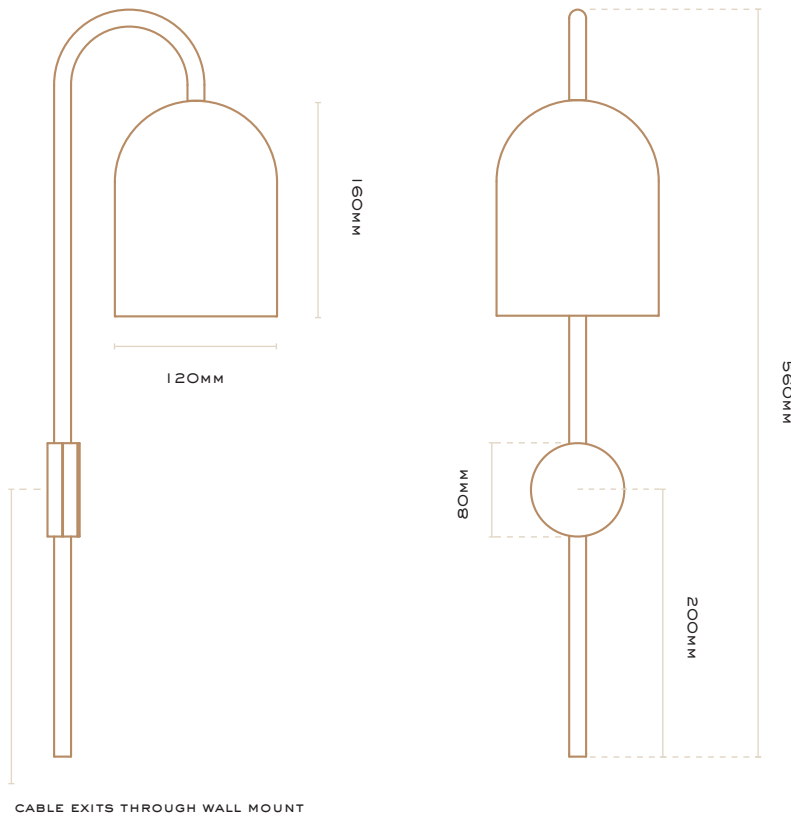
Nightworks®
STUDIO

DUOMO

PICCOLO STEM WALL LIGHT

(220V-240V / E27)





DUOMO PICCOLO STEM WALL LIGHT (220V-240V / E27)



COLOURS:

Natural Brass with Black wall mount
 Whiskey Brass with Black wall mount
 Midnight Brass with Black wall mount
 Matte White with Natural Brass wall mount
 Matte White with Brushed Nickel wall mount



LIGHT FITTING:

E27 light fitting (globe not included)

WATTAGE:

Max 40W

IP RATING:

IP20



LEAD TIME:

Up to 6 weeks

DIMMING OPTIONS:

Non-dim, Dimmable (dimmable globe required)

All fixtures must be installed by a licensed electrician. Please also consult a licensed electrician for any electrical, dimming and wiring enquiries.

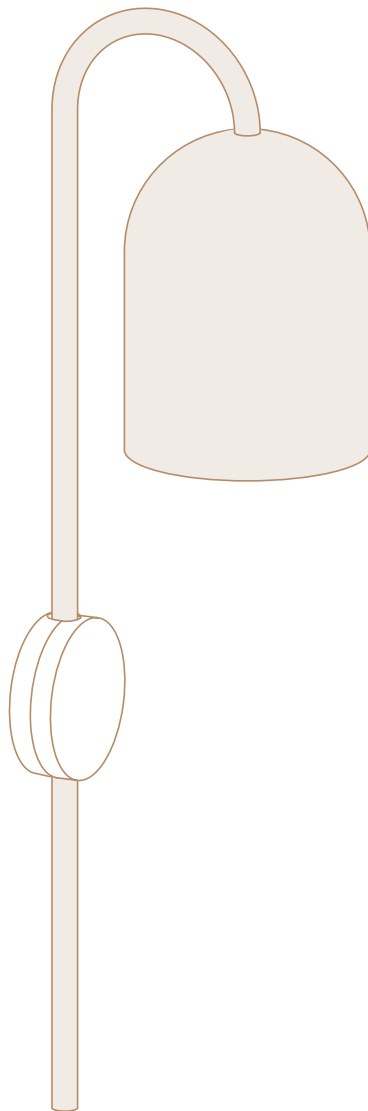


DUOMO PICCOLO STEM WALL LIGHT

220-240V (E27)(IP20)

PRODUCT CODE: E27DPSTBR / E27DPST-WHITE

Installation guide



DANGER electric shock risk. Installation must be conducted by a licensed electrician.

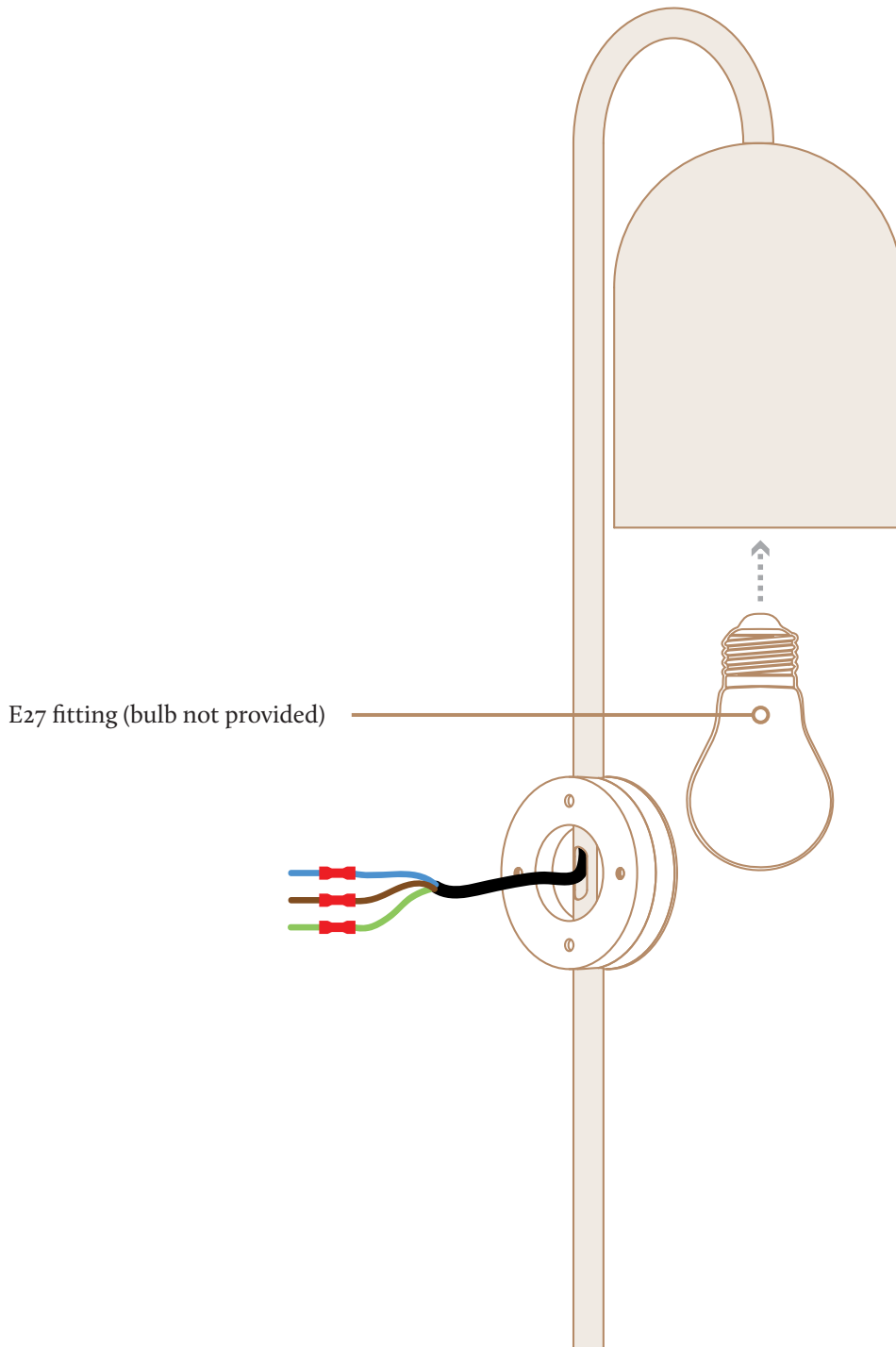
DUOMO PICCOLO STEM WALL LIGHT

Installation guide



DANGER electric shock risk. Installation must be conducted by a licensed electrician.

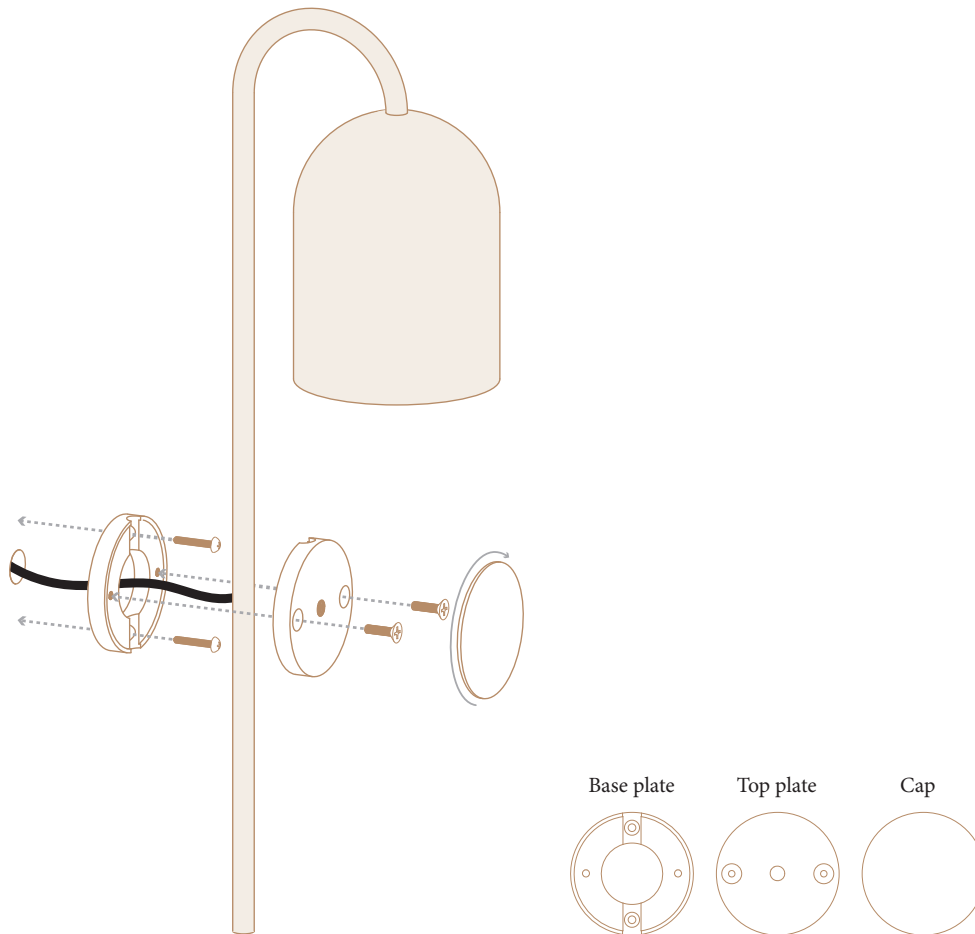
STAGE 1: WIRE FITTING





DANGER electric shock risk. Installation must be conducted by a licensed electrician.

STAGE 2: INSTALL FITTING



 **Ensure gloves are worn when handling natural brass products.**

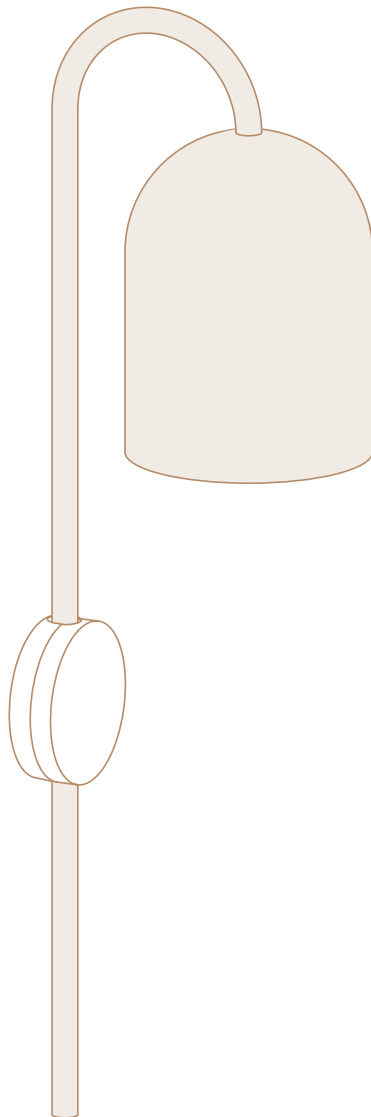
- 1: Remove all items from packaging.
- 2: Drill <20mm hole in plasterboard at desired finished height and locate 2x core cable.
- 3: *(Optional)* If installing a plaster board with no framing behind, pre-drill and install white wall plugs using the BASE PLATE as a template.
- 4: Affix base plate to wall using timber screws provided.
- 5: Pass wires through center of the BASE PLATE. Wire fitting as shown on opposite page.
- 6: Place stem into groove of base plate and affix TOP PLATE using M6 screws provided.
- 7: Screw on CAP.
- 8: Wipe down fitting with clean dry cloth.
- 9: Install E27 light bulb. (not provided)
- 10: Test fitting.



DUOMO PICCOLO STEM WALL LIGHT (IP65)

PRODUCT CODE: DPSTBR / DPSTWH

Installation guide



12V - Do not wire light fitting directly to mains power.

DUOMO PICCOLO STEM WALL LIGHT

Installation guide



DANGER electric shock risk. Installation must be conducted by a licensed electrician.

STAGE 1: INSTALL DRIVER

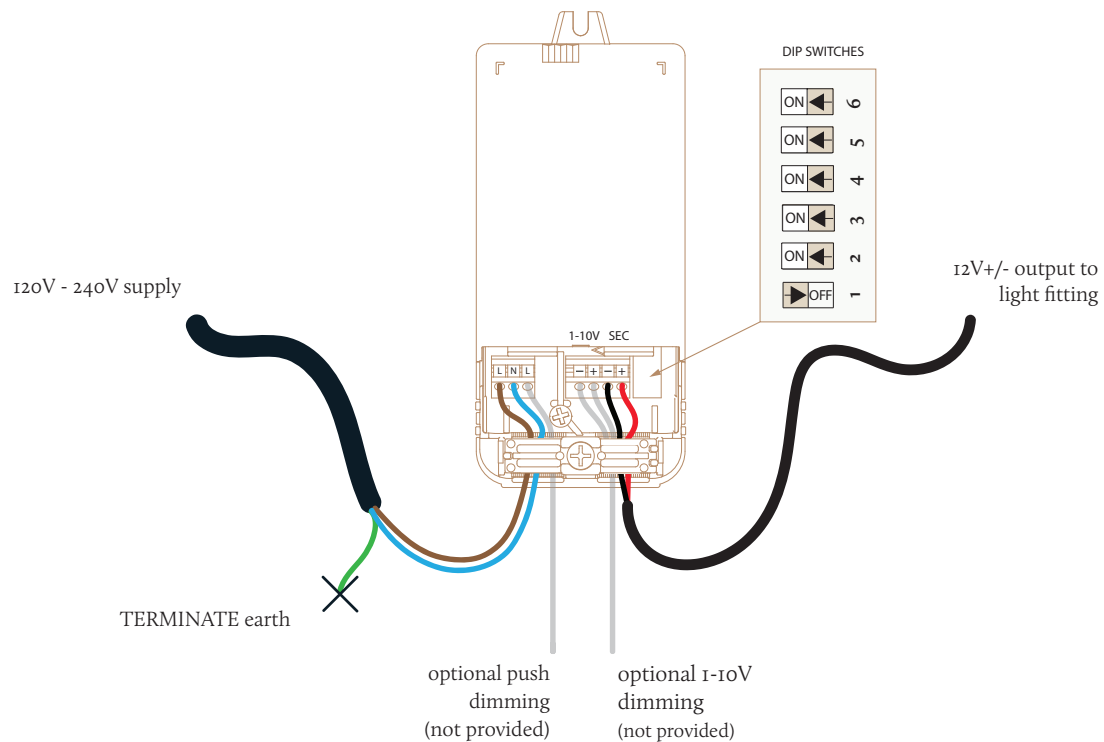
TCI Mini Jolly 125400

12V Constant Voltage

Minimum cut-out hole diameter: 55 mm

Size: 111 x 22 x 52 mm

Plastic case: IP20 rated

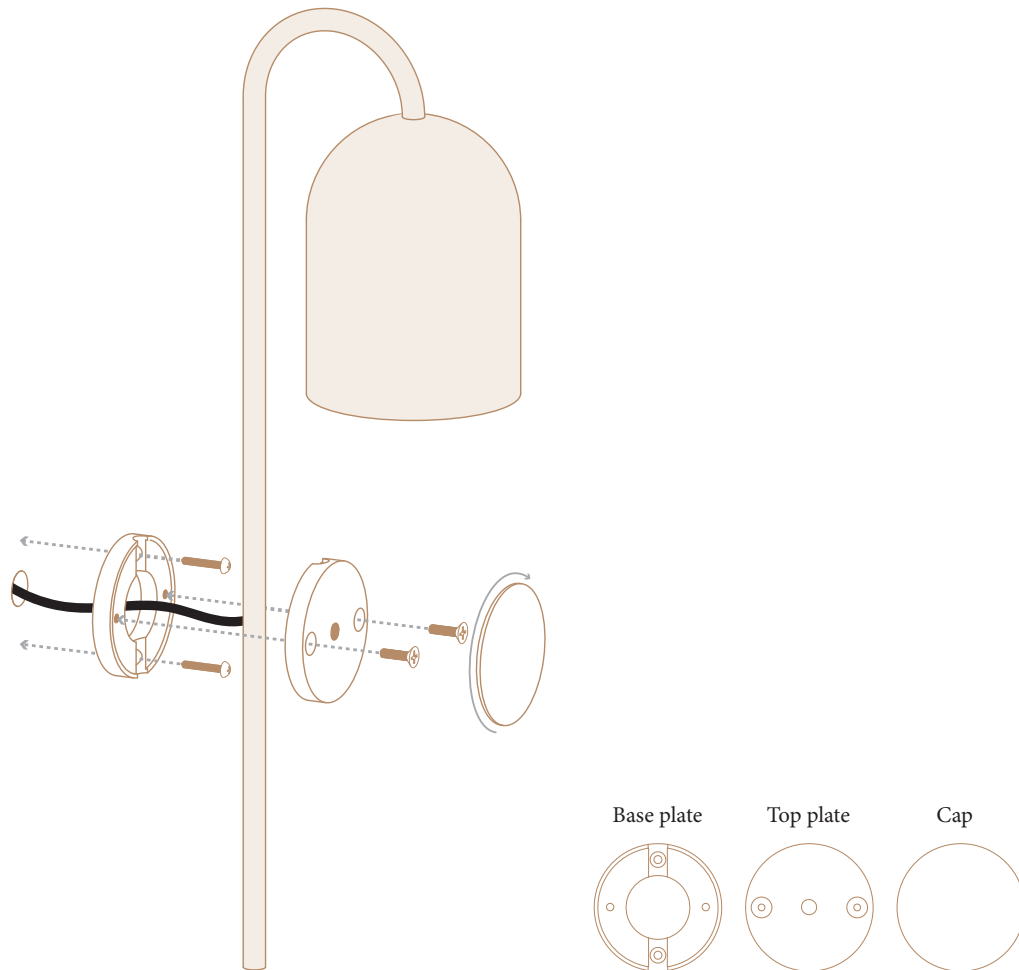


- 1: Select driver location, ideally a remote location that is accessible such as an attic or cupboard. Affix driver to solid surface.
- 2: Unscrew terminal cover and unclick from sides.
- 3: Check DIP switches are set to required position - if not, set to pattern as shown above using a small screwdriver.
- 4: Ensure mains supply is switched off. Connect 120V-240V Load and Neutral supply to the left side of the driver as shown.
- 5: Terminate earth if present.
- 6: *Option A:* While at the framing stage, run a 2x core cable from the SEC output on the driver, to the desired position of the luminaire.
Option B: If the driver must be located behind the luminaire. Connect +/- from LED luminaire to right side of driver in the SEC output.
- 7: (*Optional, not supplied*) If dimming is required, connect leads for 1-10V or Push Dimmer as illustrated.
- 8: Reattach terminal cover and screw closed.



12V - Do not wire light fitting directly to mains power.

STAGE 2: INSTALL FITTING



Ensure gloves are worn when handling natural brass products.

- 1: Remove all items from packaging.
- 2: Install driver as shown on opposite page.
- 3: Drill <20mm hole in plasterboard at desired finished height and locate 2x core cable.
- 4: *(Optional)* If installing a plaster board with no framing behind, pre-drill and install white wall plugs using the BASE PLATE as a template.
- 5: Connect +/- from Luminaire to power supply to SEC out on TCI Mini Jolly driver and pass wires through the wall.
- 6: Pass black cable through BASE PLATE & affix base plate to wall using timber screws provided.
- 7: Place stem into groove of base plate and affix TOP PLATE using M6 screws provided.
- 8: Screw on CAP.
- 9: Wipe down fitting with clean dry cloth.
- 10: Test fitting.