

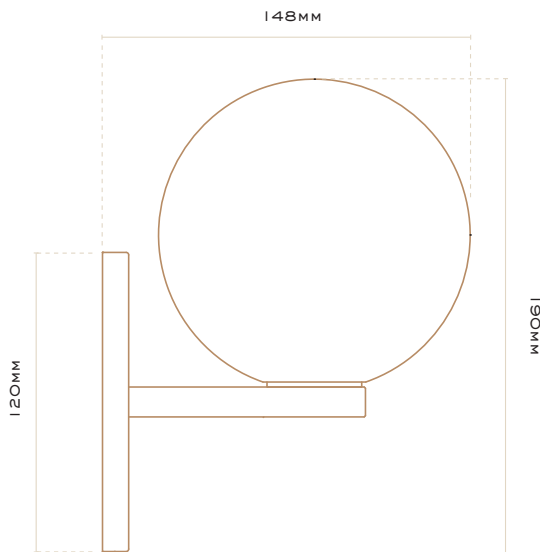
CODE ZERO

WALL SCONCE



NIGHTWORKSSTUDIO.COM





CODE ZERO WALL SCONCE



COLOURS:

Natural Brass (standard)
Whiskey Brass (on request)
Midnight Brass (on request)

COLOUR TEMPERATURE

Soft White 3000K



LEAD TIME:

up to 6 weeks



LIGHT FITTING:

WATTAGE:

7W, 24V Constant Voltage

IP RATING:

IP44 (suitable in some wet/outdoor areas)

REMOTE DRIVER (INCLUDED):

TCL (size: 102mm x 38mm x 21mm)

Allow room in wall cavity or a distance up to 10m from fitting

DIMMING OPTIONS:

1-10V, Non-dim, Push

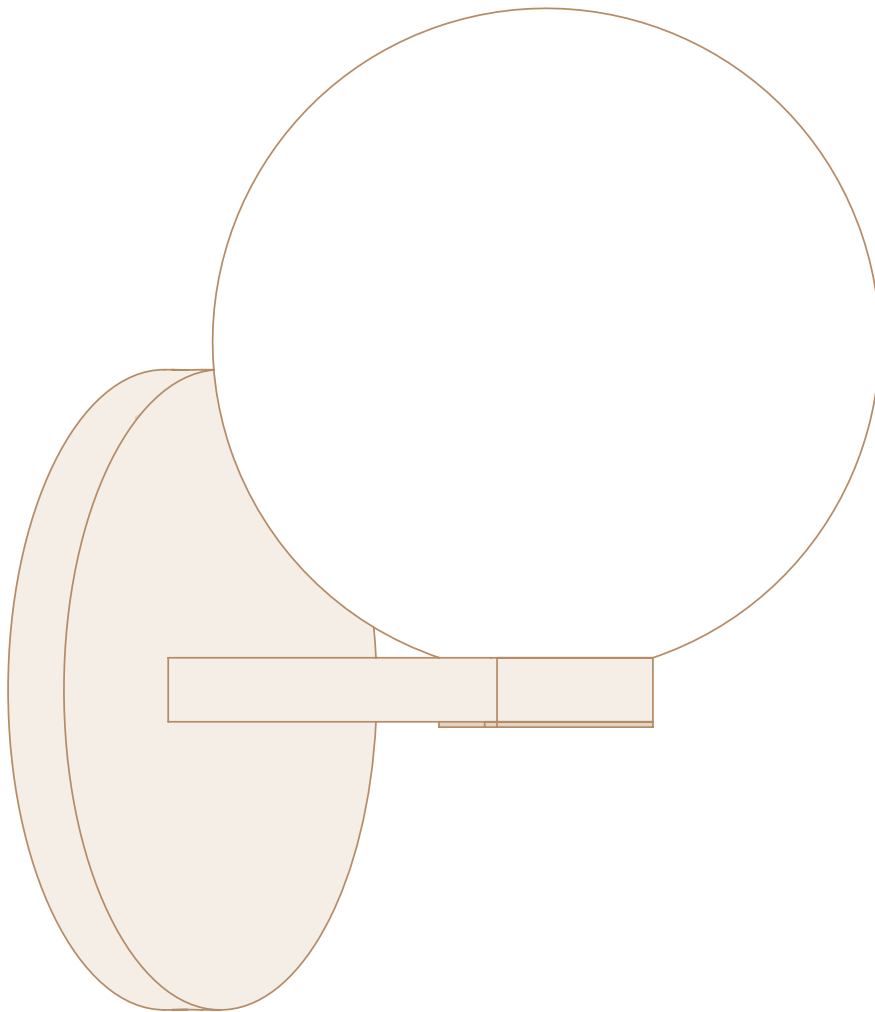
All fixtures must be installed by a licensed electrician. Please also consult a licensed electrician for any electrical, dimming and wiring enquiries.



CODE ZERO WALL SCONCE (IP44)

PRODUCT CODE: CODCZE

Installation guide



24V - Do not wire light fitting directly to mains power.

CODE ZERO WALL SCONCE

Installation guide



DANGER electric shock risk. Installation must be conducted by a licensed electrician.

STAGE 1: INSTALL DRIVER

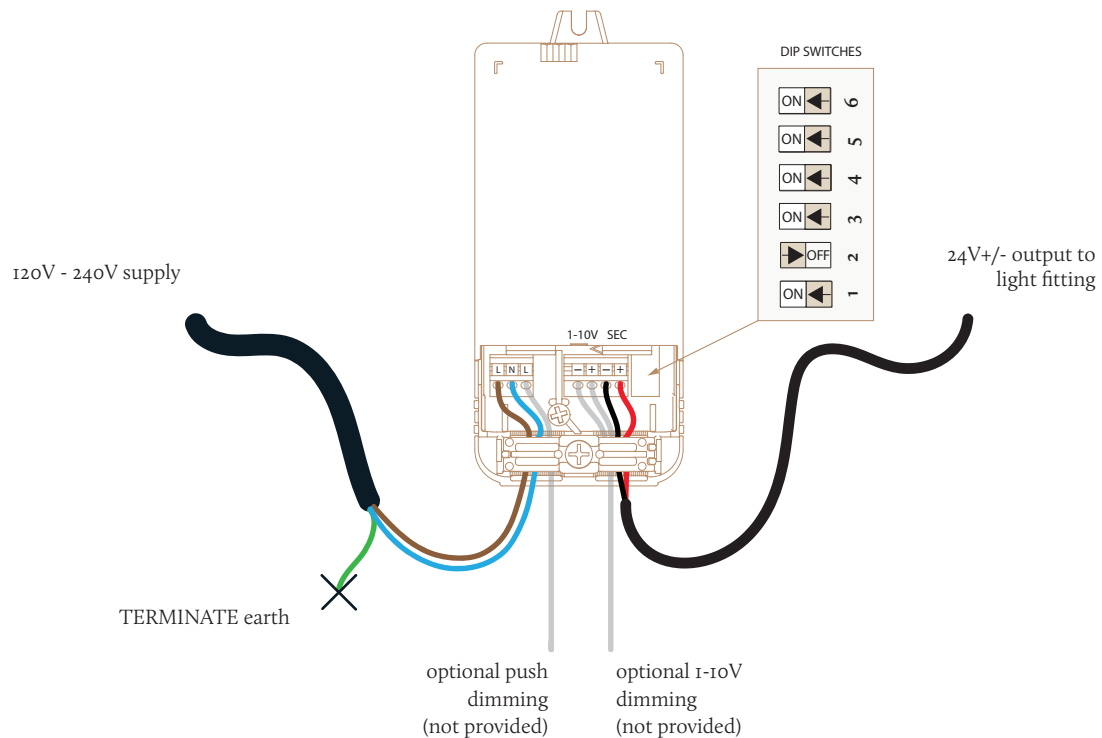
TCI Mini Jolly 125400

24V Constant Voltage

Minimum cut-out hole diameter: 55 mm

Size: 111 x 22 x 52 mm

Plastic case: IP20 rated

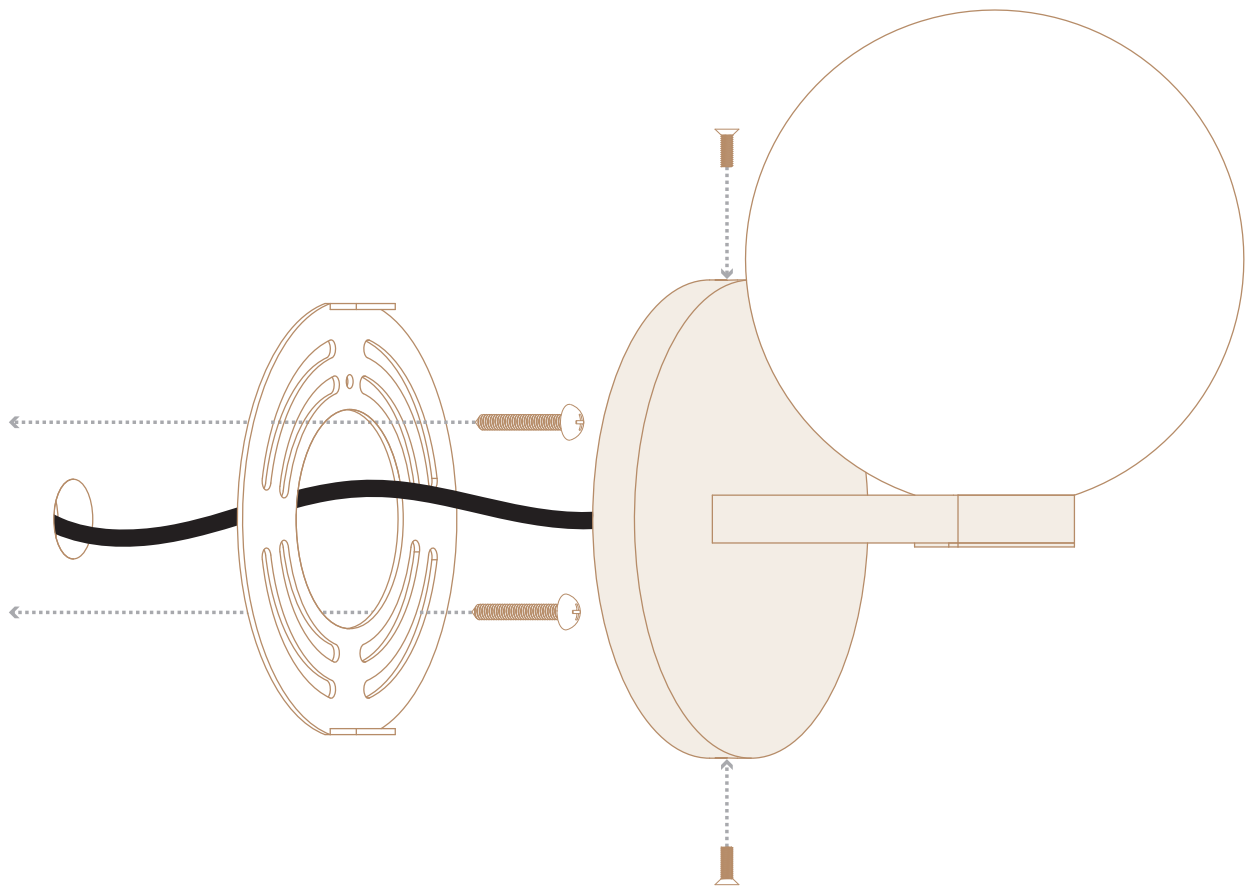


- 1: Select driver location, ideally a remote location that is accessible such as an attic or cupboard. Affix driver to solid surface.
- 2: Unscrew terminal cover and unclick from sides.
- 3: Check DIP switches are set to required position - if not, set to pattern as shown above using a small screwdriver.
- 4: Ensure mains supply is switched off. Connect 120V-240V Load and Neutral supply to the left side of the driver as shown.
- 5: Terminate earth if present.
- 6: *Option A:* While at the framing stage, run a 2x core cable from the SEC output on the driver, to the desired position of the luminaire.
Option B: If the driver must be located behind the luminaire. Connect +/- from LED luminaire to right side of driver in the SEC output.
- 7: (*Optional, not supplied*) If dimming is required, connect leads for 1-10V or Push Dimmer as illustrated.
- 8: Reattach terminal cover and screw closed.



24V - Do not wire light fitting directly to mains power.

STAGE 2: INSTALL FITTING



Ensure gloves are worn when handling natural brass products.

- 1: Remove all items from box.
- 2: Install driver as shown on opposite page.
- 3: Using HEX key provided, remove M3 brass screws from top and bottom of fitting.
- 4: (Optional) If installing to plaster board pre-drill and install white wall plugs into wall.
- 5: Install white wall plate to wall using timber screws provided.
- 6: Connect +/- power supply from LED luminaire to TCI Mini Jolly driver.
- 7: Install fitting onto wall bracket and secure M3 brass screws to top and bottom of fitting.
- 8: Wipe down fitting with clean dry cloth.
- 9: Test fitting.