

TLI-WALKWAY

PRODUCT PARAMETERS

Product Code	Size	Colour Temperature	Power	Input Voltage
TLI-WALKWAY	" See diagram below "	3000k	2.1W	24VDC

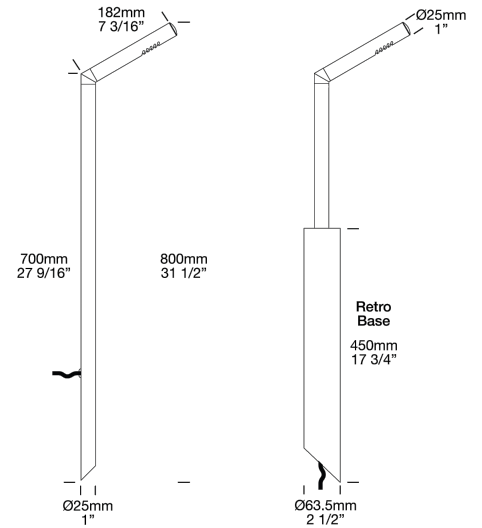


MECHANICAL SPECIFICATIONS

IP Rating	IP44
Dimming Options	No
Operating Temperature	-15c -45c
Colour	
Construction Material	316 Marine Grade Stainless Steel, Solid Copper
Voltage	24VDC

PHOTOMETRIC INFORMATION

Typical Light Source Efficiency	60lm/w
CCT Colour Temperature	3000k
Colour Rendering Index (CRI)	90+
Beam Angle	180 degrees



**\*Mounting\***  
The pole 700mm is directly mounted into the earth or concrete. Flange Mount option is available for hard surfaces.

ACCESSORIES



Flange Mount

SPECIFICATIONS ABOVE ARE FOR REFERENCES ONLY AND MAY VARY WITHOUT PRIOR NOTICE