

TLI-TIER-LITE

PRODUCT PARAMETERS

| Product Code | Size | Colour Temperature | Power | Input Voltage |
|------------------|-----------------------|--------------------|-------|-------------------------|
| TLI-TIER-LITE-4W | " See diagram below " | 3000k | 4W | 12V AC DC RETRO 240V |

MECHANICAL SPECIFICATIONS

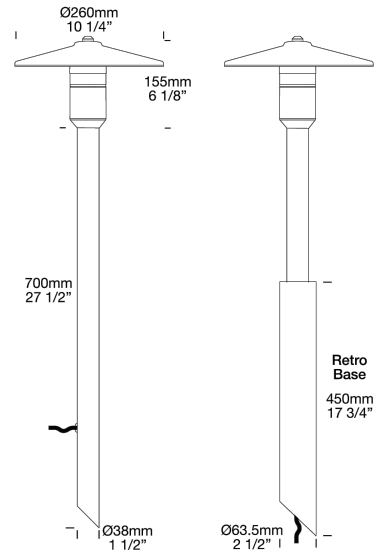
| | |
|-----------------------|--|
| IP Rating | IP56 |
| Dimming Options | No |
| Operating Temperature | -15c -45c |
| Colour | Black, Bronze, Olive Green, White, White Birch, Dark Grey, Silver Star, Corten, Stainless Silver, Solid Bronze |
| Construction Material | Solid Powdercoated Aluminium, Copper or 316 Stainless Steel |
| Voltage | 12V, Retro 240V |

PHOTOMETRIC INFORMATION

| | |
|---------------------------------|-------------|
| Typical Light Source Efficiency | 85lm |
| CCT Colour Temperature | 3000k |
| Colour Rendering Index (CRI) | 90+ |
| Beam Angle | 360 degrees |

Mounting
The pole 700mm is directly mounted into the earth or concrete. Flange Mount option is available for hard surfaces.

ACCESSORIES



SPECIFICATIONS ABOVE ARE FOR REFERENCES ONLY AND MAY VARY WITHOUT PRIOR NOTICE