

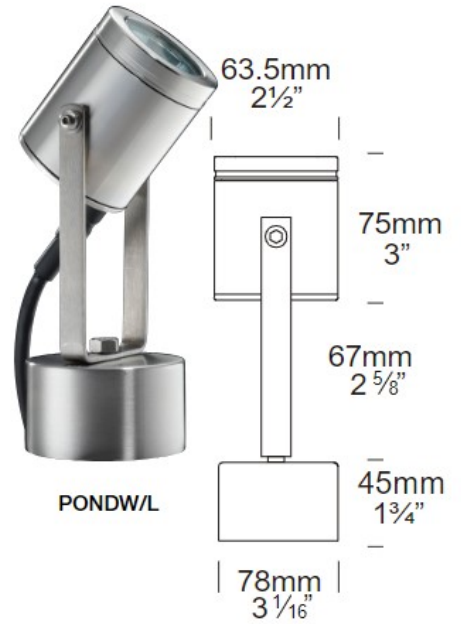
TLI-POND

PRODUCT PARAMETERS

Product Code	Size	Colour Temperature	Power	Input Voltage
TLI-POND	" See diagram "	3000k	4W	24VDC

MECHANICAL SPECIFICATIONS

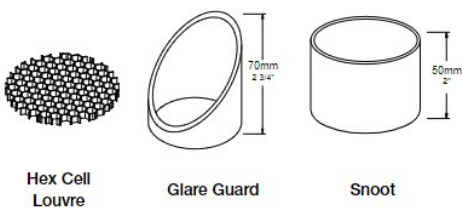
IP Rating	IP68
Dimming Options	No
Colour	Black, Bronze, Olive Green, White, Dark Grey
Construction Material	316 Marine Grade Stainless Steel, Solid Copper
Voltage	24VDC



PHOTOMETRIC INFORMATION

Typical Light Source Efficiency	420lm
CCT Colour Temperature	3000k
Colour Rendering Index (CRI)	90+
Beam Angle	60degrees

ACCESSORIES



Hex Cell Louvre

Glare Guard

Snoot

SPECIFICATIONS ABOVE ARE FOR REFERENCES ONLY AND MAY VARY WITHOUT PRIOR NOTICE