



REFLECTOR PENDANT ROUND

Light is cast onto a floating reflector, washing the room with a soft indirect light.

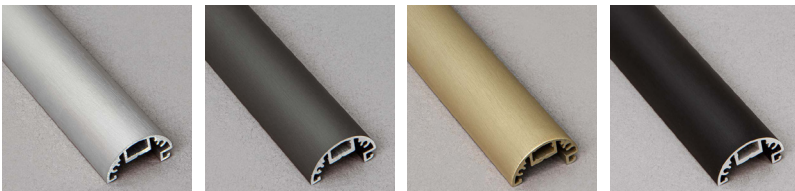
Made from precisely machined aluminium components, the reflector is then finished in a super matte powder coat or clear anodised.

The other parts are finished in a tactile anodised coat, revealing the grain of the aluminium beneath the surface.

SPECIFICATIONS

WARRANTY	12 Months	VOLTAGE	12V
MOUNTING	Ceiling	POWER	20W (700 Dia), 15W (500 Dia) 12V
WEIGHT	2.7kg (700 Dia), 1.7kg (500 Dia)	CORD	Black fabric covered
ENVIRONMENT	Indoor	SUPPLY INCLUDED	Yes -240V (AUS/NZ) / 120V(US) to 12V
MATERIALS	ANODISED / POWDER COATED	LED LUMENS	1900 Lumen LED - 700mm Dia 1140 Lumen LED - 500mm Dia *(Some loss of Lumens occurs with reflected light source).
LIGHT SOURCE	12V warm white (3000K) LED		

BODY FINISH OPTIONS

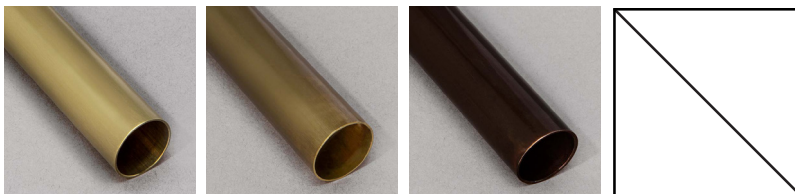


BRUSHED SILVER ANODISED

DEEP SEA ANODISED

BRUSHED GOLD ANODISED

BRUSHED BLACK ANODISED



BRUSHED BRASS

AGED BRASS

BRONZE PATINA

CUSTOM FINISH



BRUSHED ALUMINIUM

POWDER-COAT BLACK

POWDER-COAT WHITE

FIN FINISH

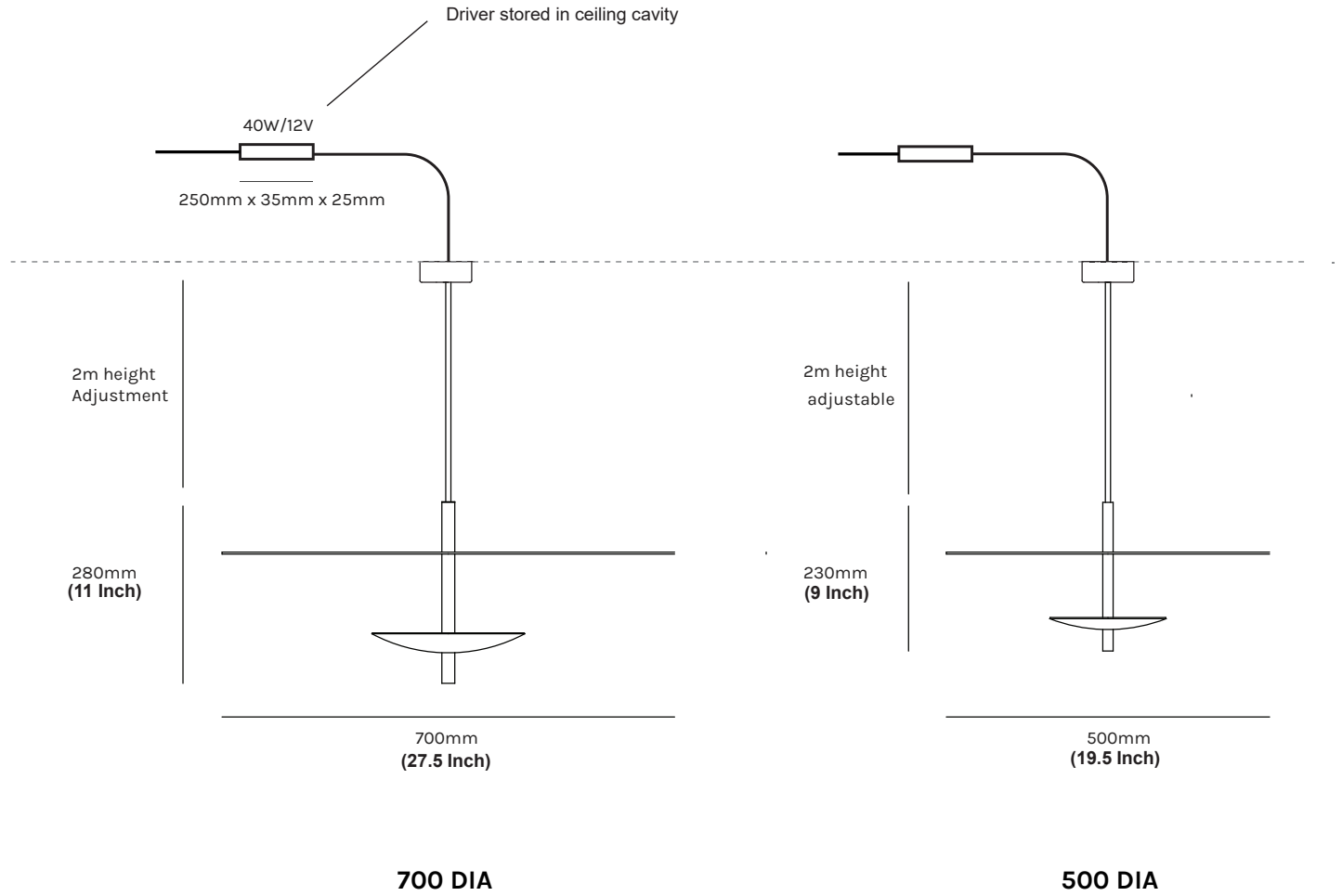


POWDER-COAT WHITE



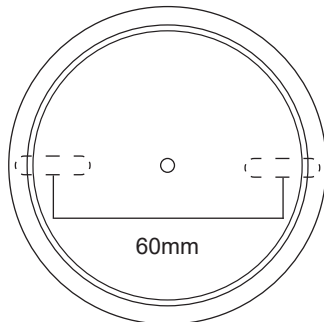
BRUSHED ALUMINIUM

SIZING OPTIONS



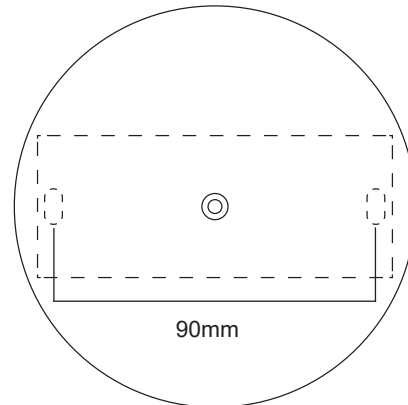
CANOPY SPECIFICATIONS

Seamless Canopy
(Standard)



80mm
(3 Inch)

Large Canopy
Option for US orders



125mm
(5 Inch)

CANOPY STYLE



COLOUR

Black



White



INSTALLATION STYLE

Surface



Flush Mount

