

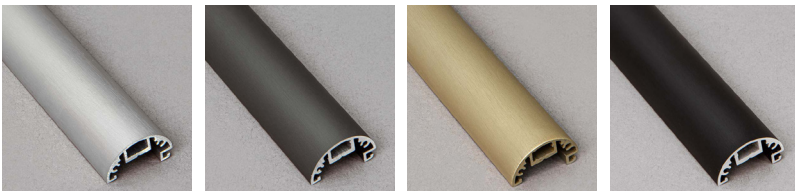
FORMATION CHANDELIER

The core design is a custom set of interlocking extruded aluminium profiles. The light source is a high-powered LED with a matte polycarbonate diffuser. A marble tip and highly refined details evoke a subtle sense of luxury.

SPECIFICATIONS

| | | | |
|-------------|---|-----------------|--------------------------------------|
| WARRANTY | 12 Months | LIGHT SOURCE | 24V warm white (3000K) LED |
| MOUNTING | Ceiling | VOLTAGE | 24V |
| WEIGHT | 2.5kg (1880L) | CORD | Black fabric covered |
| ENVIRONMENT | Indoor | SUPPLY INCLUDED | Yes -240V (AUS/NZ) / 120V(US) to 24V |
| MATERIALS | Anodised / Powder coated Aluminium Solid Marble Matte White polycarbonate diffuser | LED LUMENS | 2300 LM per metre |

BODY FINISH OPTIONS

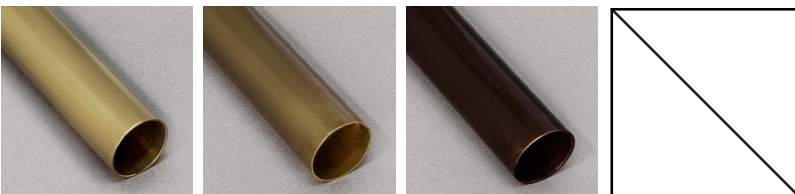


BRUSHED SILVER
ANODISED

DEEP SEA
ANODISED

BRUSHED GOLD
ANODISED

BRUSHED BLACK
ANODISED

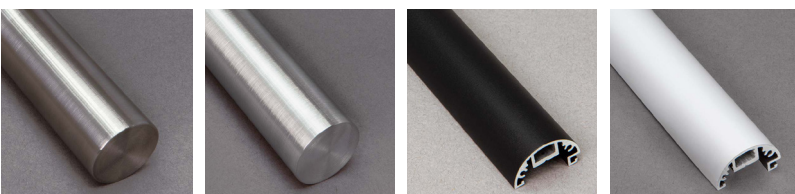


BRUSHED
BRASS

AGED
BRASS

BRONZE
PATINA

CUSTOM
FINISH



BRUSHED
STAINLESS

BRUSHED
ALUMINIUM

POWDER-COAT
BLACK

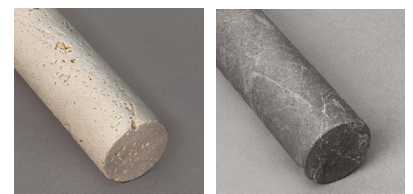
POWDER-COAT
WHITE

MARBLE TIP END OPTIONS



VERDE
GUATEMALA

NERO
MARQUINA



UNFILLED
TRAVERTINE

HERMES
GREY



ARABESCATO
WHITE

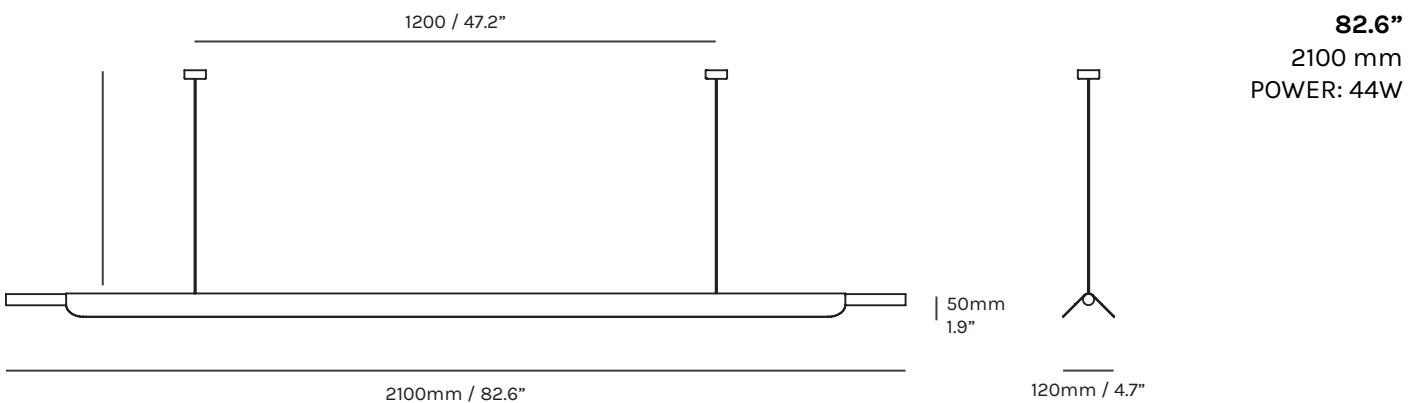
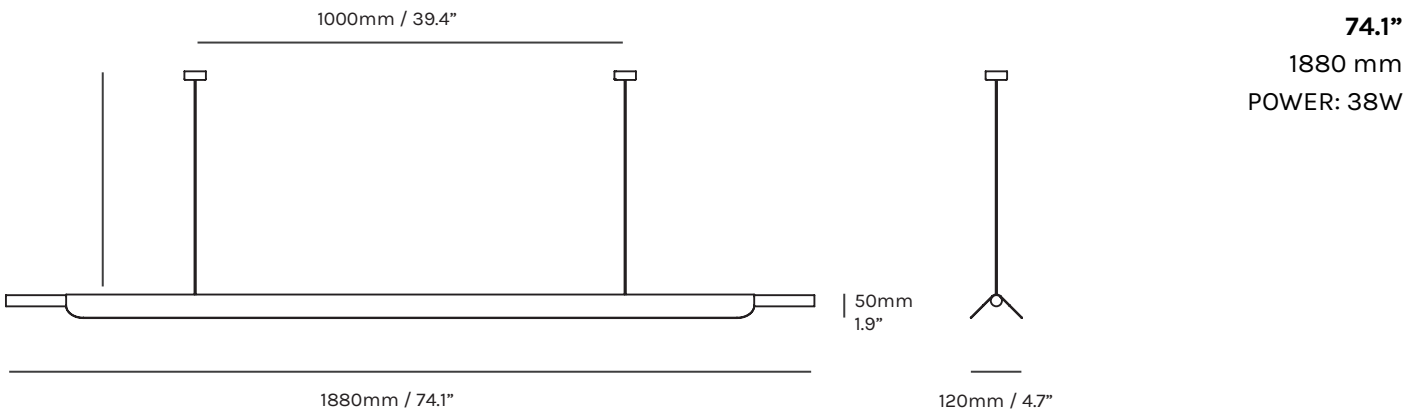
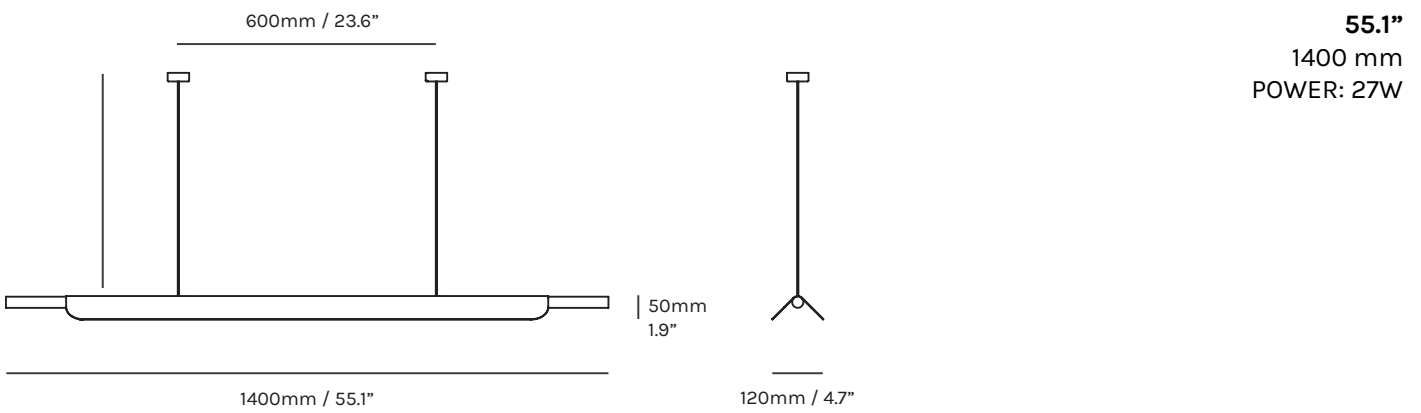
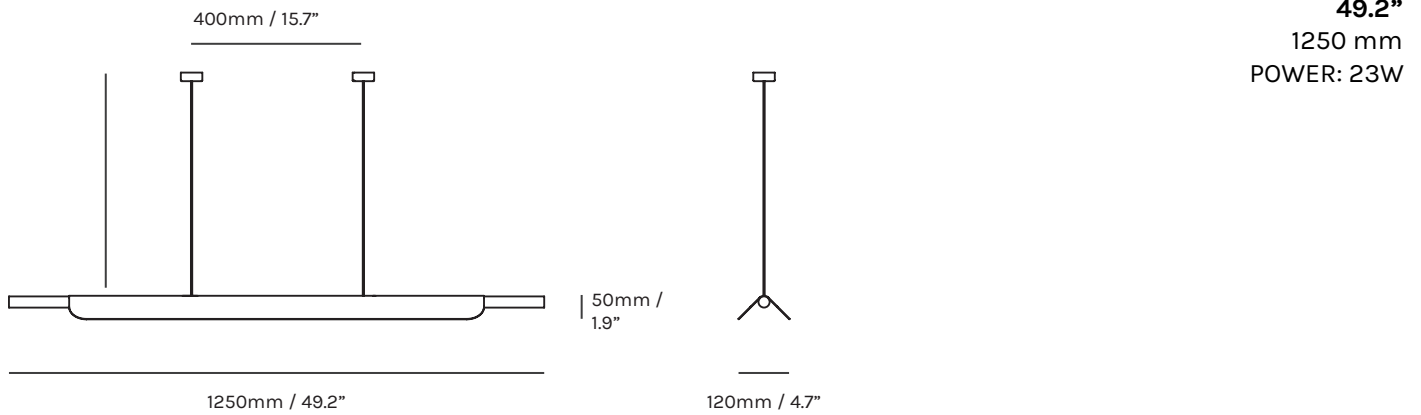
CALACATTA
VIOLA

B-TD

Technical Specifications

SIZING OPTIONS

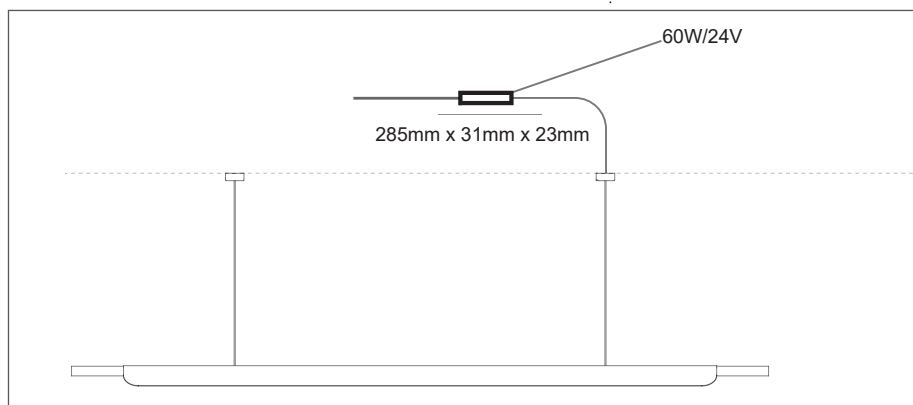
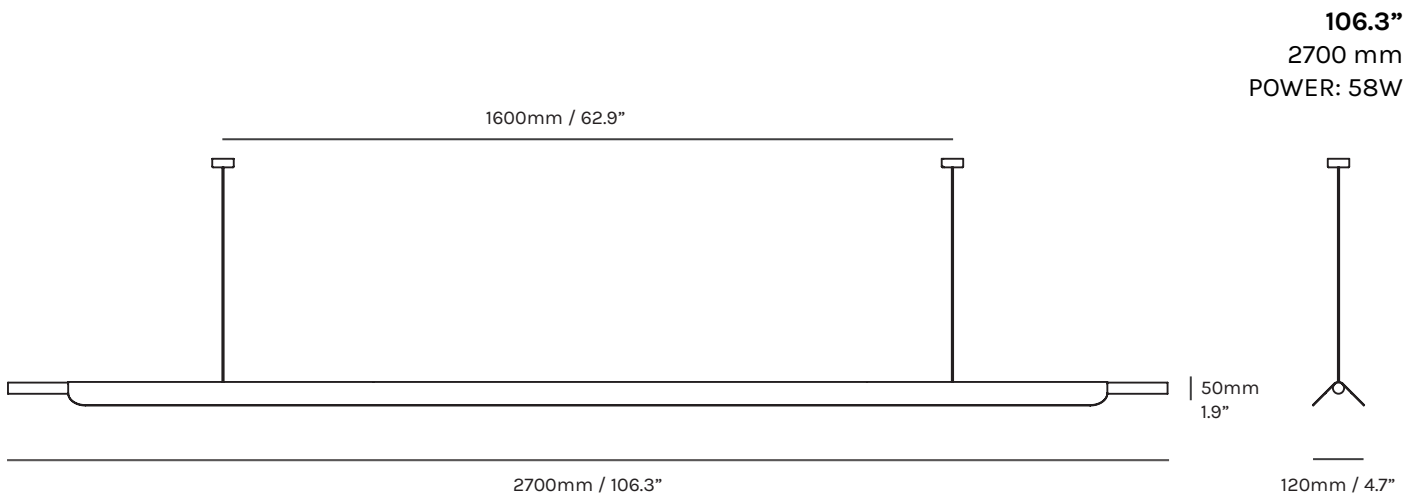
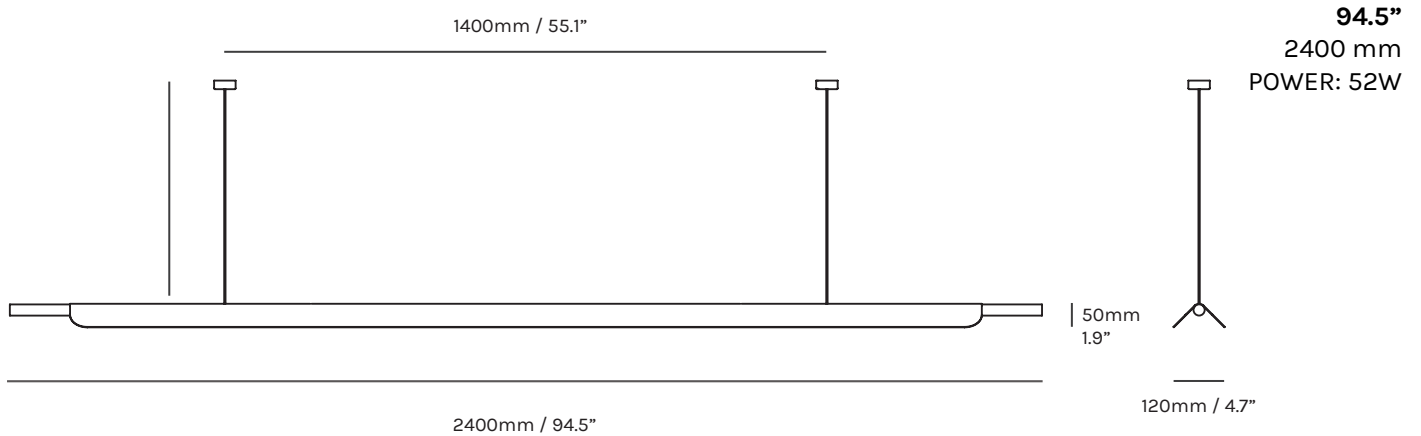
1500mm / 59" Adjustable cable drop



B-TD

Technical Specifications

SIZING OPTIONS

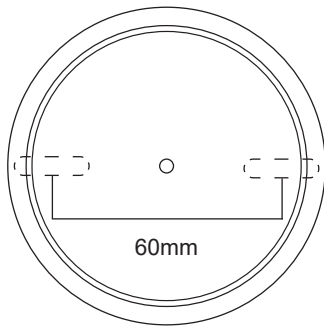


INSTALLATION

Driver stored in ceiling cavity

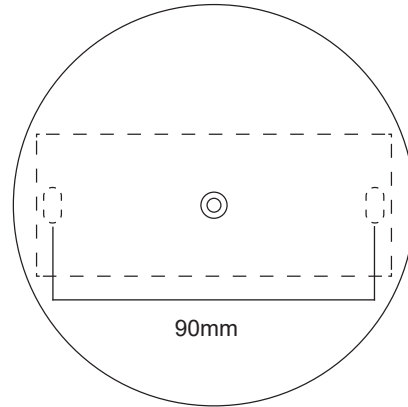
CANOPY SPECIFICATIONS

Seamless Canopy
(Standard)



80mm
(3 Inch)

Large Canopy
Option for US orders



125mm
(5 Inch)

SEAMLESS CANOPY



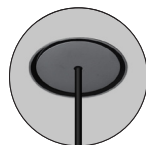
80mm
(3 Inch)

INSTALLATION STYLE

Surface



Flush Mount



COLOUR

Black



White



STANDARD US CANOPY

(Fits 4" US Octagon Junction Box)



120mm
(5 Inch)

INSTALLATION STYLE

Surface



Flush Mount



COLOUR

Black



White

