

# W900.SIP Surface-Mounted Outdoor Curve Wall Light V2.0

## Datasheet

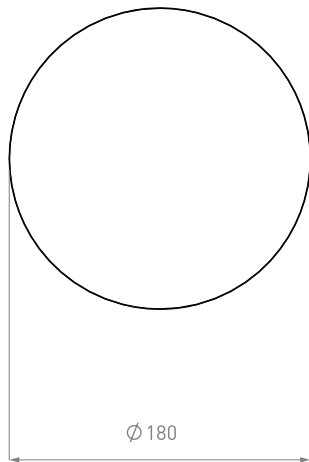


### Product codes

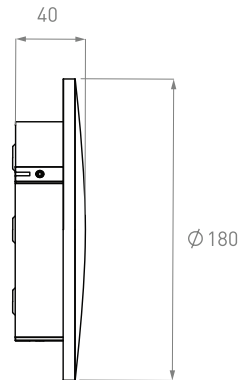
<b>Unit:</b> W900.SIP	<b>Series:</b> CR	<b>Colour temp.:</b> 3K (3000K)	<b>Beam angle (°):</b> 360 (360°)	<b>Colour:</b> W (White) B (Black)	<b>Control:</b> PHASE (PHASE)	<b>Version:</b> 2.0
--------------------------	----------------------	------------------------------------	--------------------------------------	--	----------------------------------	------------------------

### Dimensions (mm)

Front view

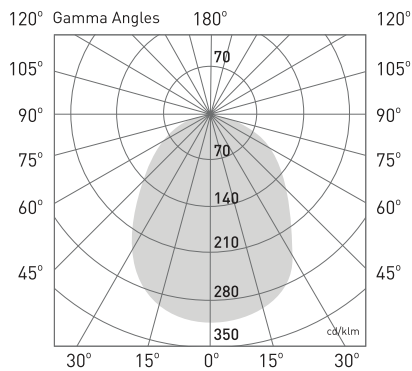


Side view



### Photometrics

#### Photometric Diagrams



#### CCT Outputs

**CCT:** 3000K  
**Efficacy:** 65lm/W  
**Delivered lumen output:** 585lm  
**CRI:** 93  
**Standard deviation of colour Matching (SDCM):** 3 MacAdam steps

## Electrical

<b>Input voltage:</b> 220-240V	<b>Power usage:</b> 9W	<b>Driver power factor:</b> 0.9	<b>Dimmable:</b> Yes
-----------------------------------	---------------------------	------------------------------------	-------------------------

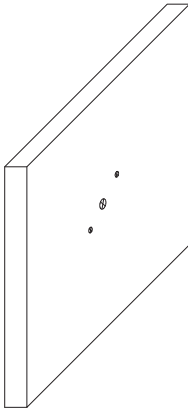
## Physical

<b>Mounting type:</b> Surface	<b>Cable type:</b> Teflon 0.75mm <sup>2</sup> Double insulation (Input cable) Teflon 0.3mm <sup>2</sup> Single insulation (Output cable)	<b>IP rating:</b> IP65	<b>IK rating:</b> IK06
----------------------------------	--	---------------------------	---------------------------

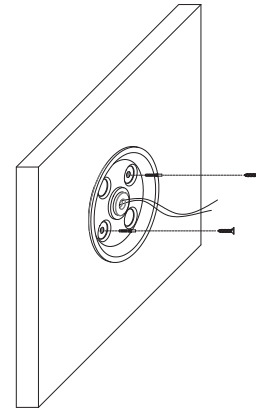
## Operational

<b>Ambient Temp.:</b> -20°C to 45°C	<b>Warranty:</b> 5 years	<b>Lifetime L70, B10:</b> 50,000 hrs
--	-----------------------------	---

## Installation



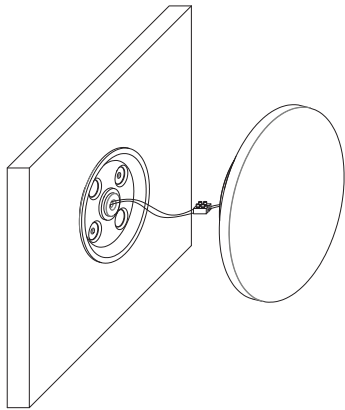
**Step 1**  
Mark and drill the holes for the wall plugs at the desired location.



**Step 2**  
Insert the wall plugs and fasten the base plate to the wall using the screws provided.

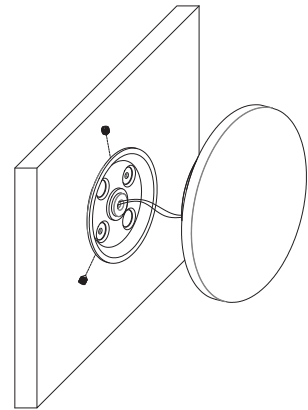
## Installation

---



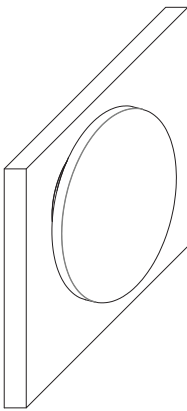
### Step 3

Connect the mainspower cable to the terminal block.



### Step 4

Position the luminaire back to the base plate and secure with the grub screws.



### Step 5

Installation complete.