

W550.SIP Curve LED Wall Light Datasheet

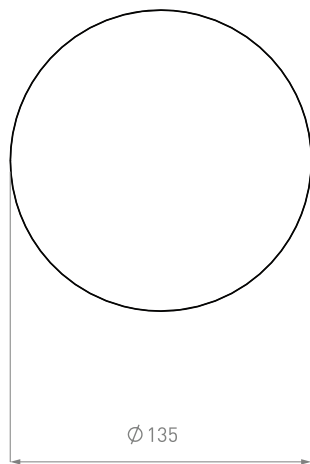


Product codes

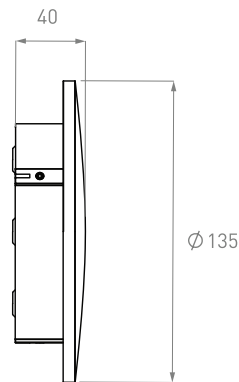
| | | | | | | |
|--------------------------|----------------------|------------------------------------|--------------------------------------|--|----------------------------------|------------------------|
| Unit: W550.SIP | Series: CR | Colour temp.: 3K (3000K) | Beam angle (°): 360 (360°) | Colour: W (White) B (Black) | Control: PHASE (PHASE) | Version: 2.0 |
|--------------------------|----------------------|------------------------------------|--------------------------------------|--|----------------------------------|------------------------|

Dimensions (mm)

Front view

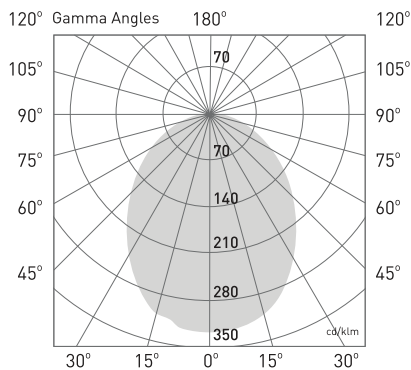


Side view



Photometrics

Photometric Diagrams



CCT Outputs

CCT: 3000K
Efficacy: 65lm/W
Delivered lumen output: 390lm
CRI: 93
Standard deviation of colour Matching (SDCM): 3 MacAdam steps

Electrical

| | | | |
|-----------------------------------|---------------------------|------------------------------------|-------------------------|
| Input voltage: 220-240V | Power usage: 6W | Driver power factor: 0.9 | Dimmable: Yes |
|-----------------------------------|---------------------------|------------------------------------|-------------------------|

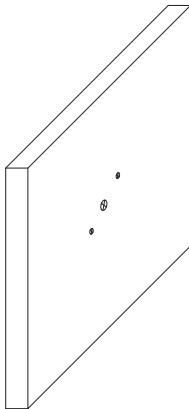
Physical

| | | | |
|----------------------------------|--|---------------------------|---------------------------|
| Mounting type: Surface | Cable type: Teflon 0.75mm ² Double insulation (Input cable) Teflon 0.3mm ² Single insulation (Output cable) | IP rating: IP65 | IK rating: IK06 |
|----------------------------------|--|---------------------------|---------------------------|

Operational

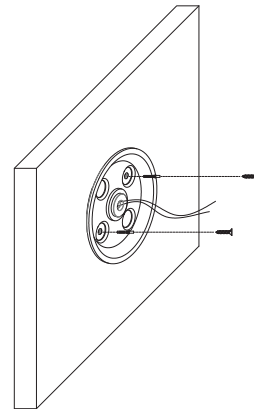
| | | |
|--|-----------------------------|---|
| Ambient Temp.: -20°C to 45°C | Warranty: 5 years | Lifetime L70, B10: 50,000 hrs |
|--|-----------------------------|---|

Installation



Step 1

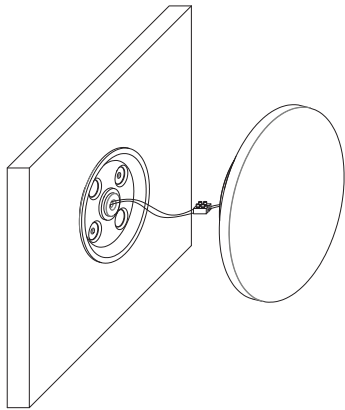
Mark and drill the holes for the wall plugs at the desired location.



Step 2

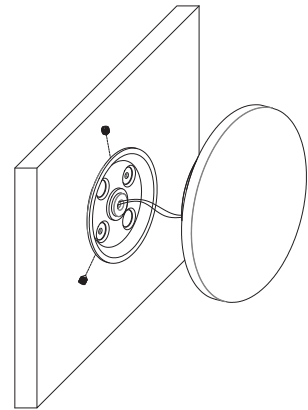
Insert the wall plugs and fasten the base plate to the wall using the screws provided.

Installation



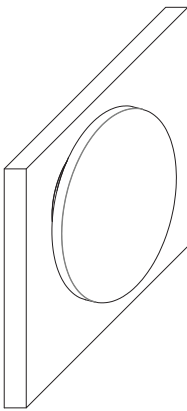
Step 3

Connect the mainspower cable to the terminal block.



Step 4

Position the luminaire back to the base plate and secure with the grub screws.



Step 5

Installation complete.