

# W550.SIP Curve LED Wall Light Datasheet

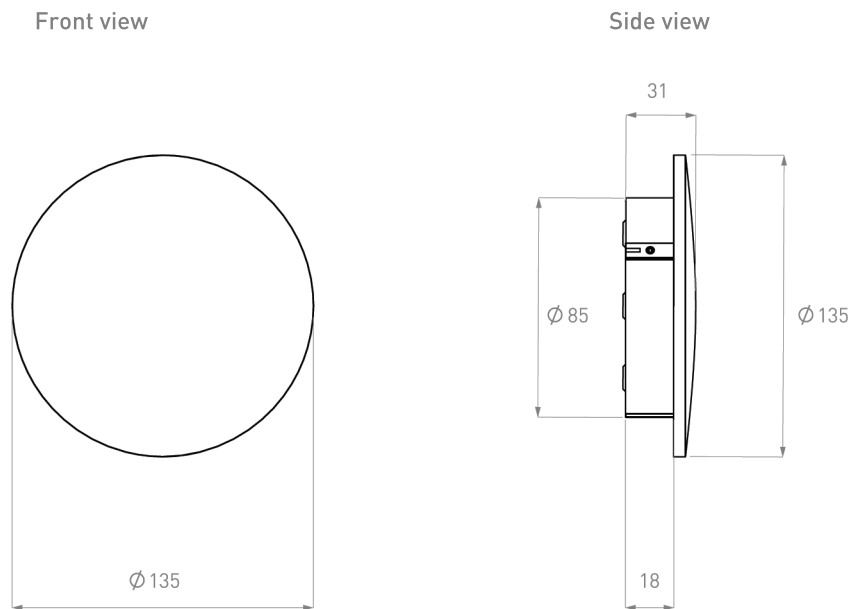


**TRU-COLOUR®**

## Product codes

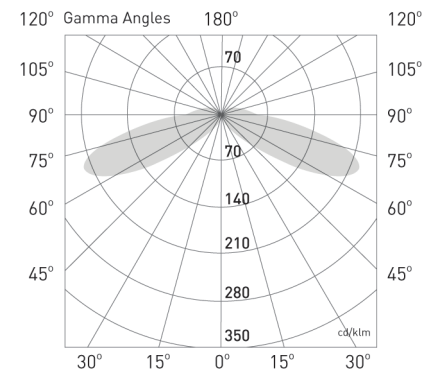
<b>Unit:</b> W550.SIP	<b>Series:</b> CR	<b>Colour temp.:</b> 3K (3000K)	<b>Beam angle (°):</b> 360 (360°)	<b>Colour:</b> W (White) B (Black)	<b>Driver:</b> PHASE (PHASE)	<b>Version:</b> 1.0
--------------------------	----------------------	------------------------------------	--------------------------------------	--	---------------------------------	------------------------

## Dimensions (mm)



## Photometrics

**Source lumen output:** 440lm  
**Delivered lumen:** 350lm  
**Efficacy:** 58lm/W  
**Colour temp.:** 3000K  
**Beam angle:** 360°  
**CRI:** >98  
**Standard deviation of colour matching (SDCM):** 3 Macadam steps



## Electrical

---

**Input voltage:**  
230V

**Power usage:**  
6W

**Driver power factor:**  
0.9

**IP rating:**  
IP65

**Dimmable:**  
Yes

## Operational

---

**Ambient Temp.:**  
-20°C to 45°C

**Lifetime:**  
40,000 hrs

**SDCM:**  
3MacAdam Steps

## Physical

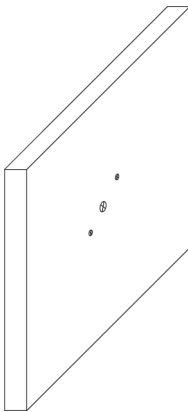
---

**Warranty:**  
5 years

**Mounting type:**  
Surface

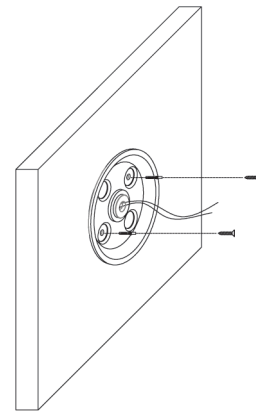
## Installation

---



### Step 1

Mark and drill the holes for the wall plugs at the desired location.

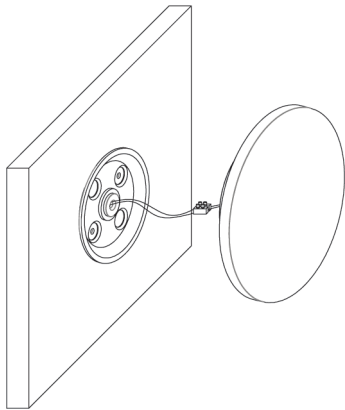


### Step 2

Insert the wall plugs and fasten the base plate to the wall using the screws provided.

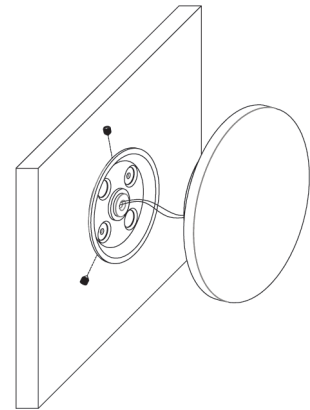
## Installation

---



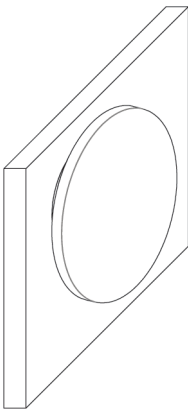
### Step 3

Connect the mainspower cable to the terminal block.



### Step 4

Position the luminaire back to the base plate and secure with the grub screws.



### Step 5

Installation complete.