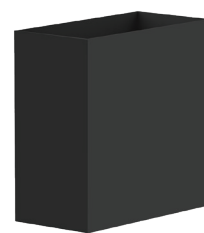


W400.SIP Cube LED Wall Light

Datasheet

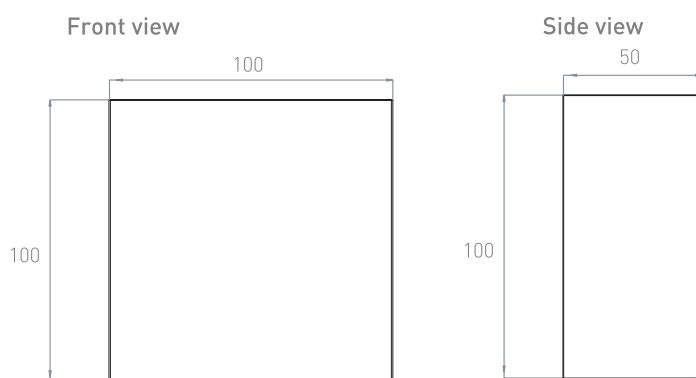


TRU-COLOUR®

Product Codes

Unit: W400.SIP	Series: CB	Colour temp. (K): 3K (3000K)	Beam Angle: 120 (120°)	Color: W (WHITE) B (BLACK)	Control: PHASE	Version: 1.1
--------------------------	----------------------	--	----------------------------------	---	--------------------------	------------------------

Dimensions (mm)



Photometrics

CCT:
3000K

Efficacy:
83lm/W

Delivered Lumen Output:
500lm

CRI:
97

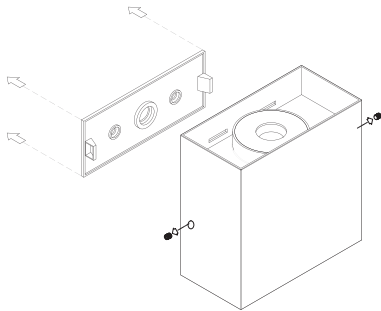
Electrical

Input Voltage: AC85-265V	Power Usage: 6W	Current: 300mA	IP Rating: IP65	IK Rating: IK10
------------------------------------	---------------------------	--------------------------	---------------------------	---------------------------

Operational

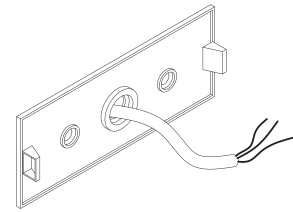
Lifetime: 50,000 hours	Warranty: 7 Years
----------------------------------	-----------------------------

Installation



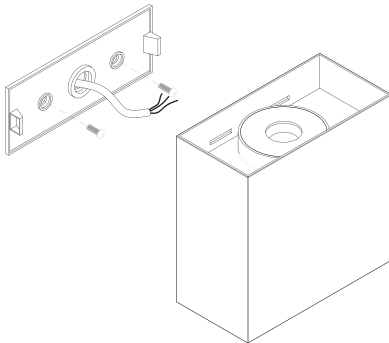
Step 1

Unscrew the 2 grub screw from the sides of the luminaire housing to release the base plate and junction box.



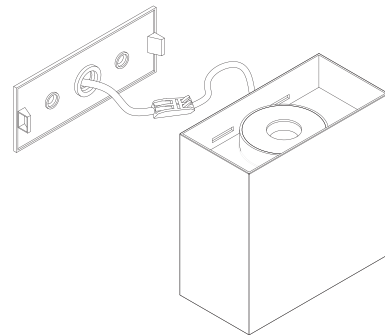
Step 2

Thread the power cable through the base plate, use the base plate as guide to drill the 2 pilot holes for the wall plugs.



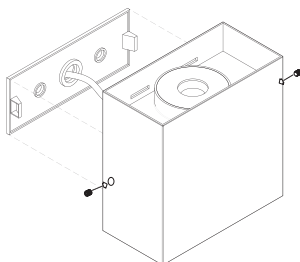
Step 3

Once wall plugs have been pressed into the wall fasten the base plate to the wall using the screws provided.



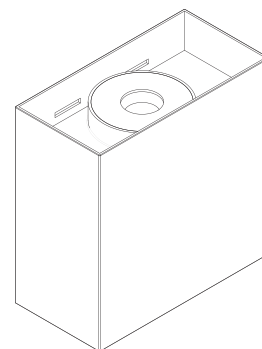
Step 4

Connect the mains power cable to the terminal block.



Step 5

Position the luminaire housing back to base plate and secure by putting back the grub screws.



Step 6

Installation complete.