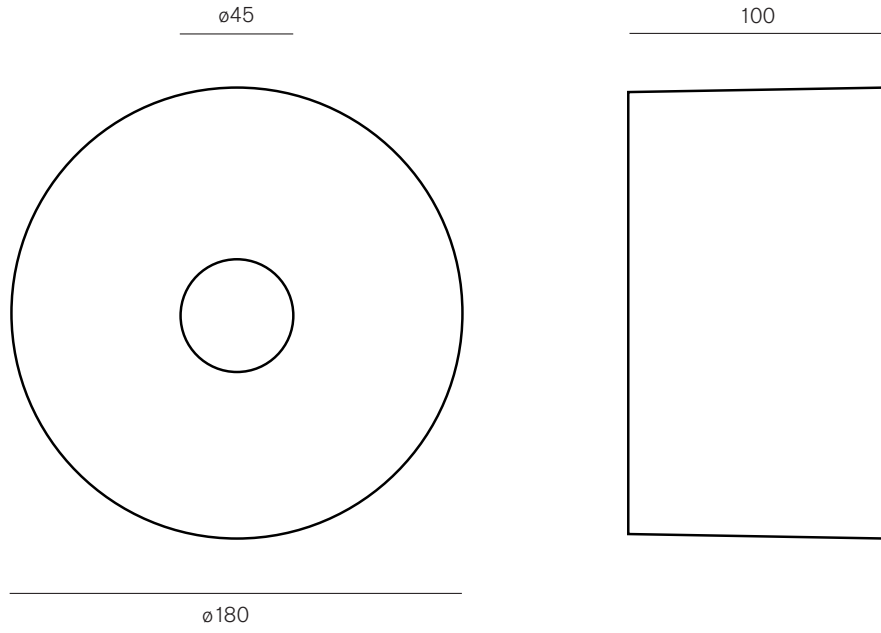
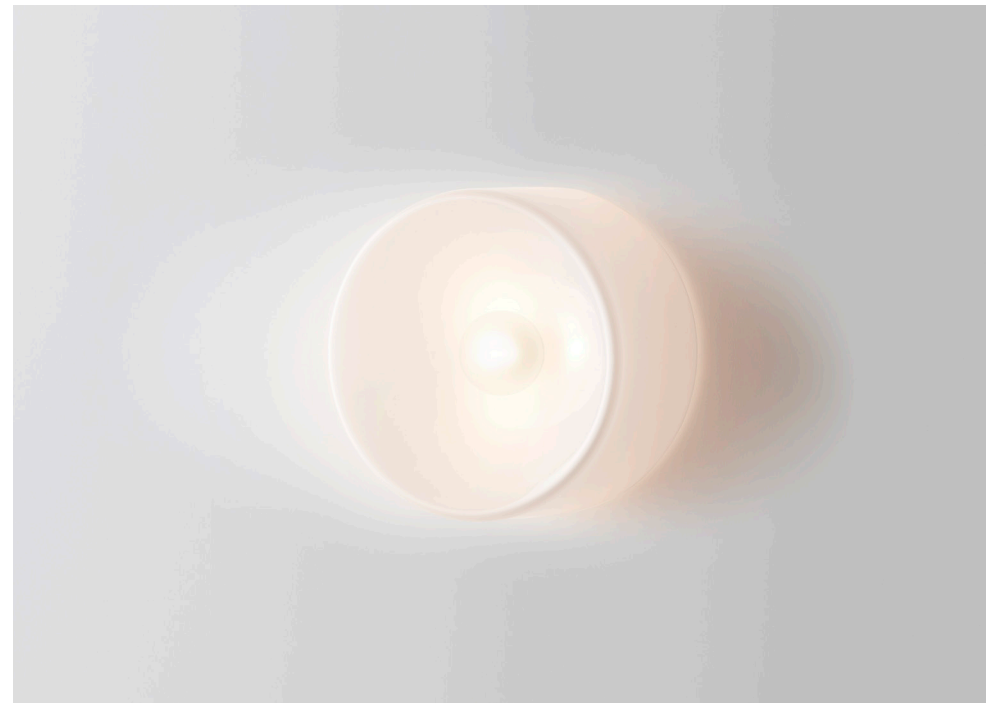


# Blown Glass Anton

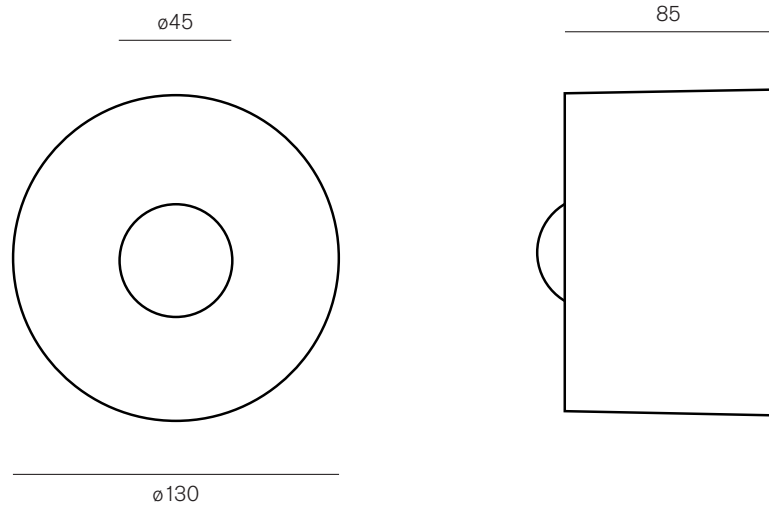


Material: Blown Glass (Opal)  
Lamp: 3x G4 LED (12V)  
Driver: 240V / 120V US  
Glass Bulb: 45mm  $\phi$ , Frosted  
Weight: 1 kg

Each blown glass piece is unique and variations may occur.



## Cast Glass Anton Mini



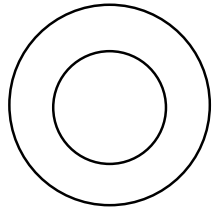
Material: Cast Glass  
Backing Plate: Finish specifiable, standard is Chrome.  
Lamp: G9 LED (240V / 120V US) \*  
Glass Bulb: 45mm  $\phi$ , Frosted  
Weight: 2kg

\* 12V version and IP44 version also available

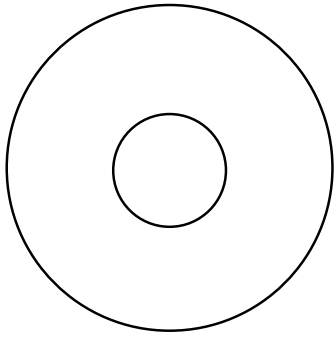
Each cast piece is unique and variations may occur.



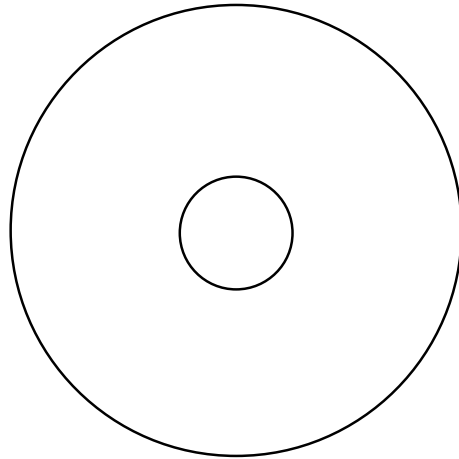
## Anton Ceramic Colour



ø80



ø130



ø180

Material: Cast Ceramic

Glaze: a selection of colours is available

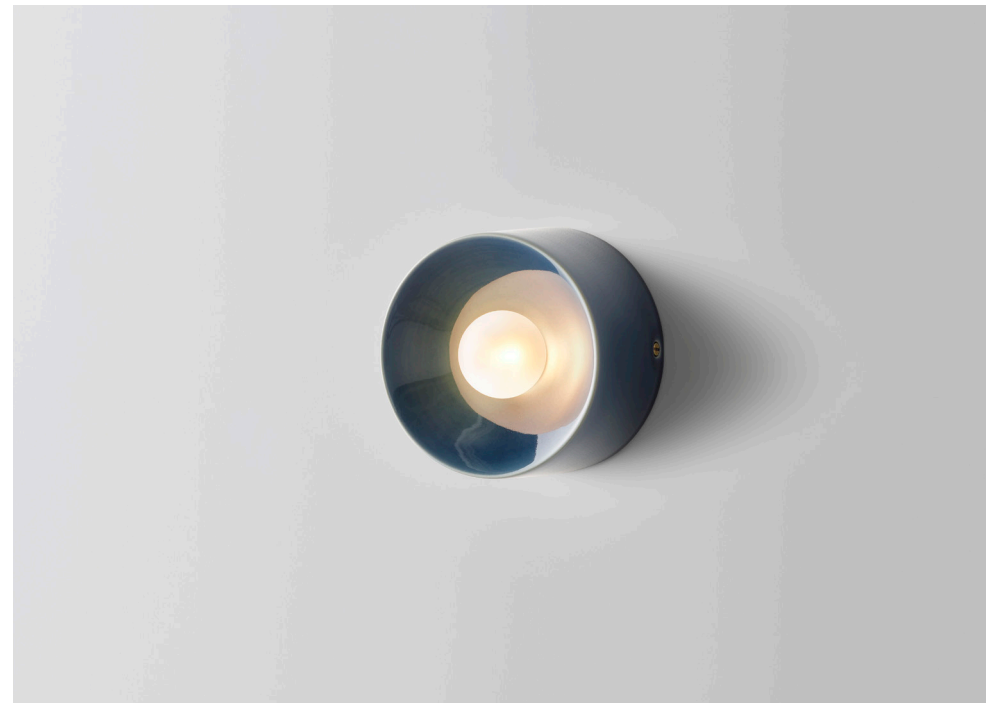
Lamp: G9 LED (240V / 120V US) \*

Glass Bulb: 45mm ø, Frosted

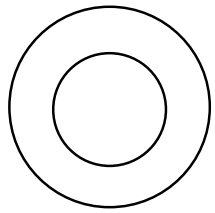
Size: ø180 mm, ø130 mm or ø80 mm

\* 12V version and IP44 version also available

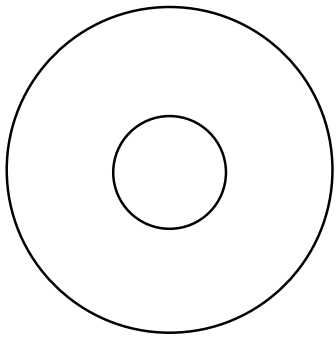
Each glaze is unique and variations may occur.



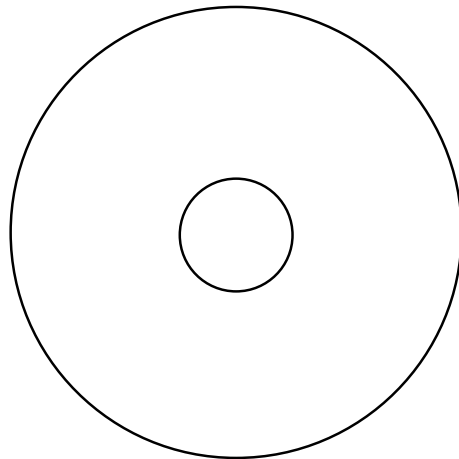
## Anton Ceramic Pinstripe



ø80



ø130



ø180

Material: Cast Ceramic

Glaze: Clear Gloss

Pinstripe: a selection of colours is available

Lamp: G9 LED (240V / 120V US) \*

Glass Bulb: 45mm ø, Frosted

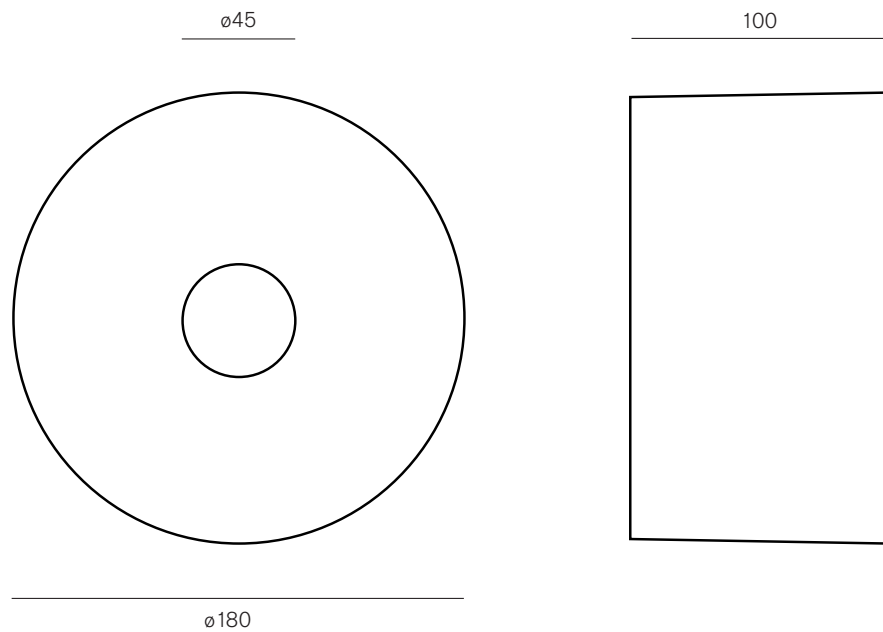
Size: ø180 mm, ø130 mm or ø80 mm

\* 12V version and IP44 version also available

Each hand-painted pinstripe is unique and variations may occur.



Anton Aluminium / Gunmetal



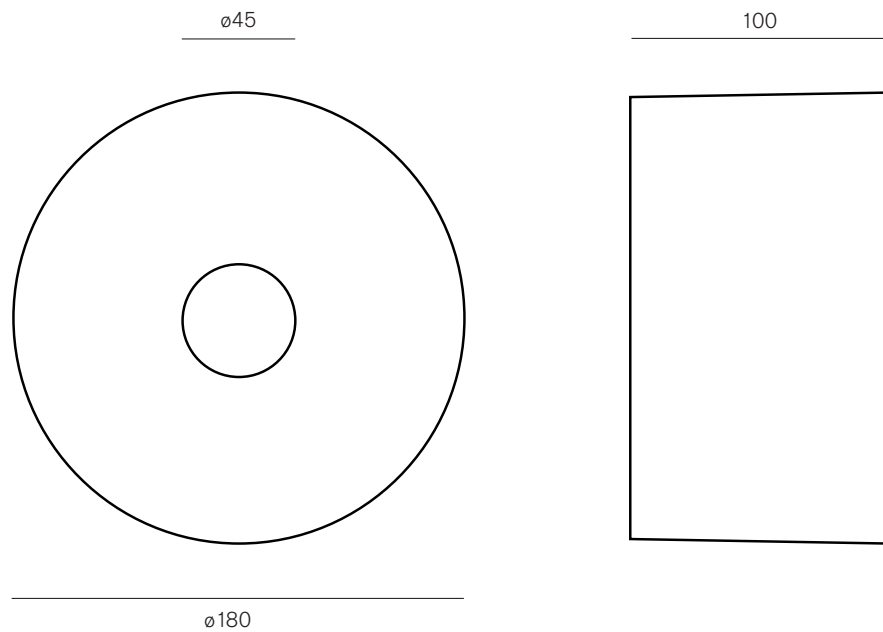
Material: Cast Aluminium or Cast Gunmetal  
Finish: Raw (Aluminium) or Polished (Gunmetal)  
Lamp: G9 LED (240V / 120V US) \*  
Glass Bulb: 45mm  $\phi$ , Frosted  
Weight: 1.5kg (Aluminium), 4kg (Gunmetal)

\* 12V version and IP44 version also available

Each cast surface is unique and variations may occur.



Anton Ceramic Clear Glaze / Brown / Crisp White



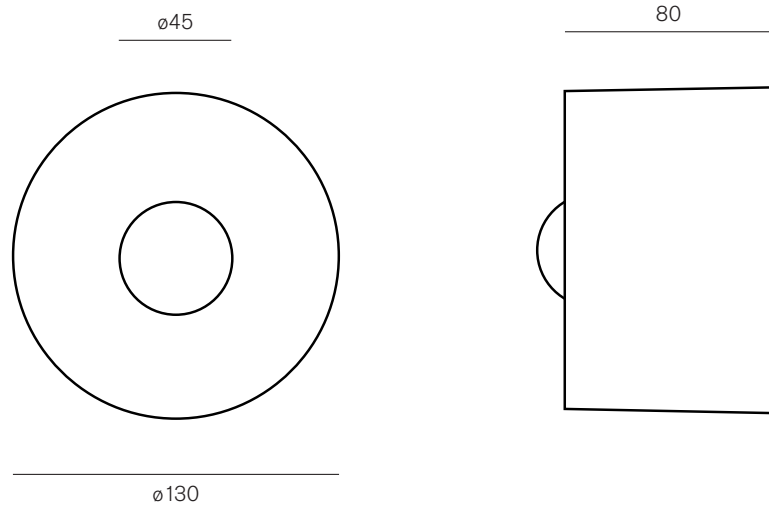
Material: Cast Ceramic  
Glaze: Clear Gloss, Brown or Crisp White (not pictured)  
Lamp: G9 LED (240V / 120V US) \*  
Glass Bulb: 45mm  $\phi$ , Frosted  
Weight: 1.5kg

\* 12V version and IP44 version also available

Each glaze is unique and variations may occur.



Anton Mini Aluminium / Gunmetal



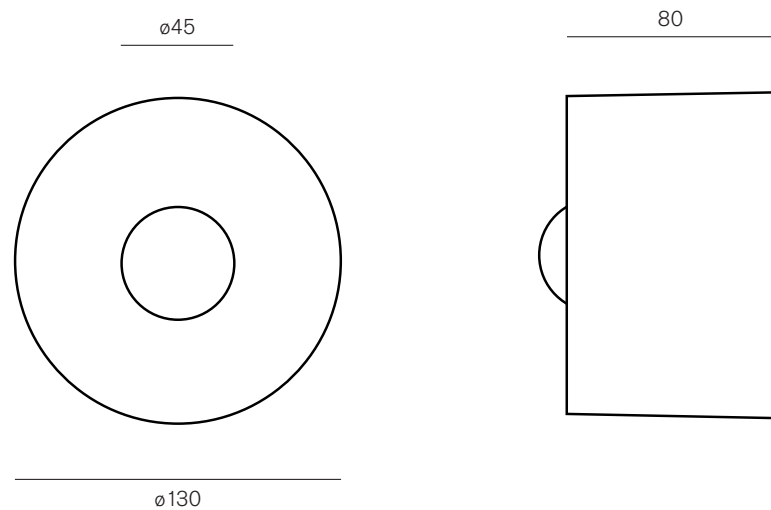
Material: Cast Aluminium or Cast Gunmetal  
Finish: Raw (Aluminium) or Polished (Gunmetal)  
Lamp: G9 LED (240V / 120V US) \*  
Glass Bulb: 45mm  $\varnothing$ , Frosted  
Weight: 1kg (Aluminium), 2kg (Gunmetal)

\* 12V version and IP44 version also available

Each cast surface is unique and variations may occur.



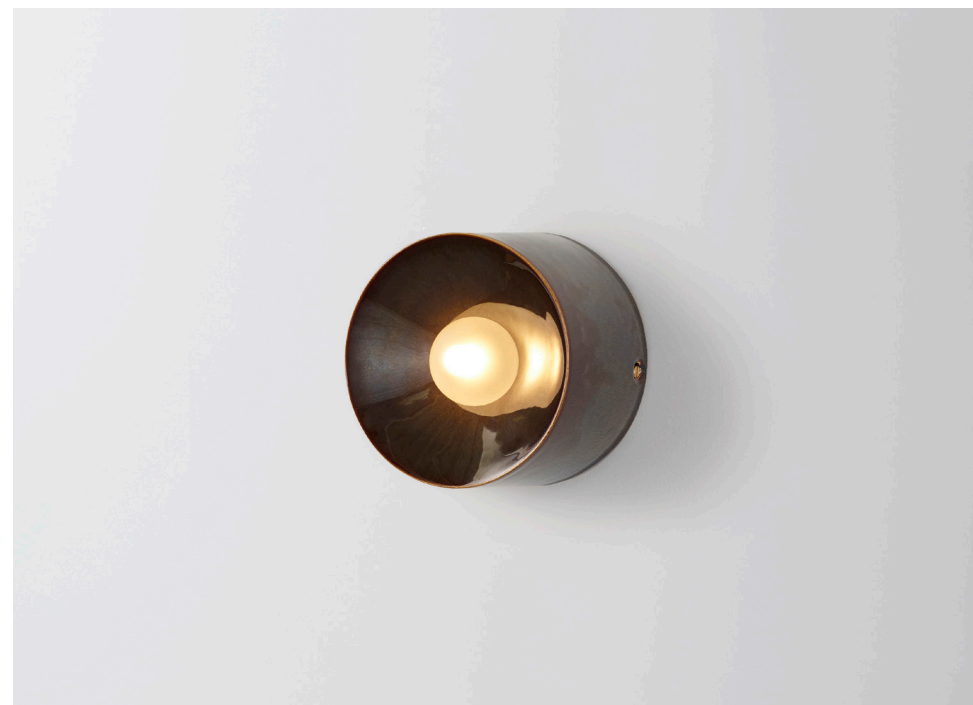
Anton Mini Ceramic Clear Glaze / Brown / Crisp White



Material: Cast Ceramic  
Glaze: Clear Glaze, Brown or Crisp White (not pictured)  
Lamp: G9 LED (240V / 120V US) \*  
Glass Bulb: 45mm  $\varnothing$ , Frosted  
Weight: 1 kg

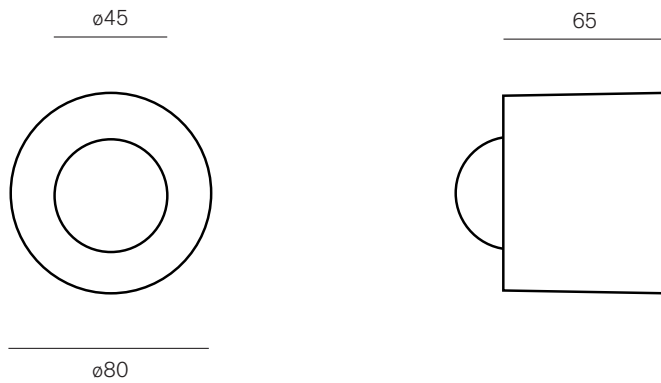
\* 12V version and IP44 version also available

Each glaze is unique and variations may occur.





Anton Micro Aluminium / Gunmetal



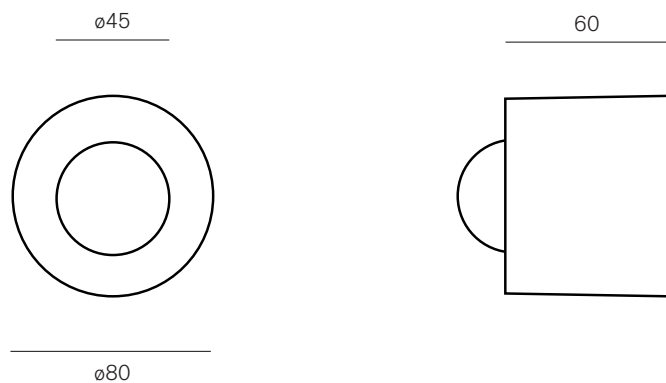
Material: Cast Aluminium or Cast Gunmetal  
Finish: Raw (Aluminium) or Polished (Gunmetal)  
Lamp: G9 LED (240V / 120V US) \*  
Glass Bulb: 45mm  $\phi$ , Frosted  
Weight: 1kg (Aluminium), 2kg (Gunmetal)

\* 12V version and IP44 version also available

Each cast surface is unique and variations may occur.



Anton Micro Ceramic Clear Glaze / Brown / Crisp White



Material: Cast Ceramic  
Glaze: Clear Gloss, Brown or Crisp White (not pictured)  
Lamp: G9 LED (240V / 120V US) \*  
Glass Bulb: 45mm ø, Frosted  
Weight: 0.5kg

\* 12V version and IP44 version also available

Each glaze is unique and variations may occur.

