

T700.H.MINI Curve LED Track Light

Datasheet

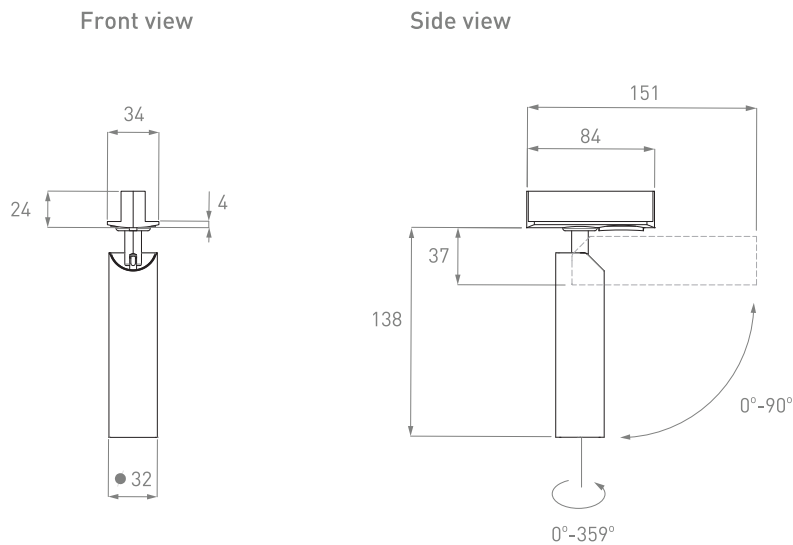


TRU-COLOUR®

Product Codes

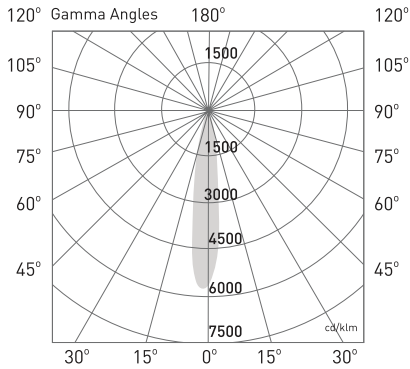
Unit:	Track Type:	Family:	Colour temp. (K):	Beam Angle:	Color:	Driver:	Version:
T700.H.MINI	H1	CR	2.7K (2700K) (Special Order) 3K (3000K) 4K (4000K) (Special Order) 5K (5000K) (Special Order)	15° (Special Order) 36° 50° (Special Order)	B (BLACK) W (WHITE)	PHASE (PHASE)	1.0
T700.H.MINI	H1	CR	1.8K.3.1K (1800K-3100K) (Nightshift Dim to Warm) (Special Order)	15° (Special Order) 36° 50° (Special Order)	B (BLACK) W (WHITE)	PHASE (PHASE)	1.1

Dimensions (mm)

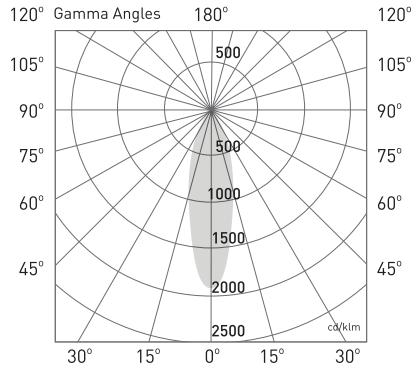


Photometrics

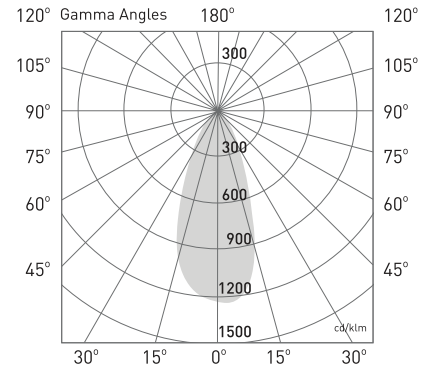
Photometric Diagram



Beam Angle: 15°



Beam Angle: 36°



Beam Angle: 50°

CCT Outputs

CCT: 1800K-3100K
Efficacy: 71lm/W
Delivered lumen output: 640lm
CRI: 98
Standard deviation of colour
Matching (SDCM): 3 MacAdam steps

CCT: 2700K
Efficacy: 70lm/W
Delivered lumen output: 630lm
CRI: 98
Standard deviation of colour
Matching (SDCM): 3 MacAdam steps

CCT: 3000K
Efficacy: 71lm/W
Delivered lumen output: 640lm
CRI: 98
Standard deviation of colour
Matching (SDCM): 3 MacAdam steps

CCT: 4000K
Efficacy: 73lm/W
Delivered lumen output: 655lm
CRI: 98
Standard deviation of colour
Matching (SDCM): 3 MacAdam steps

CCT: 5000K
Efficacy: 79lm/W
Delivered lumen output: 710lm
CRI: 98
Standard deviation of colour
Matching (SDCM): 3 MacAdam steps

Electrical

Input Voltage:
220V-265V

Power Usage:
9W

Driver Power Factor:
>0.9

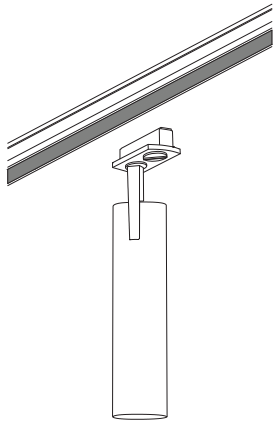
IP Rating:
IP44

Operational

Ambient Temp.:
-20°C to 50°C

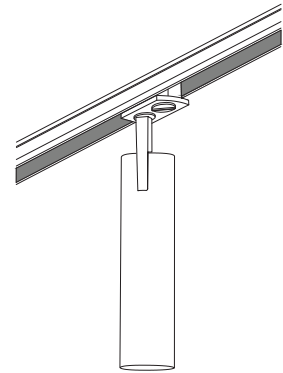
Warranty:
7 Years

Lifetime L70, B10:
70,000hrs



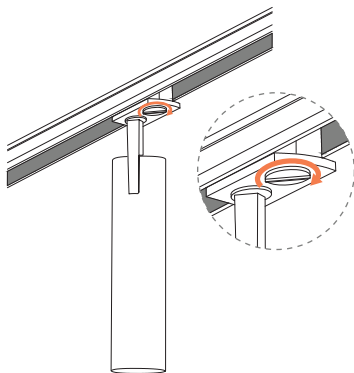
Step 1

Align the track connector with the track



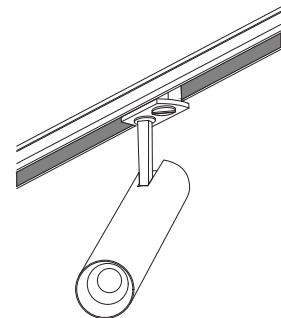
Step 2

Insert the T700.H.MINI-CR into the track channel, ensuring the track base tabs are in the open position and that the direction of the T700.H.MINI-CR is correct. This is dependant on where the contact points are in the track.



Step 3

Rotate the locking mechanism into the track base to secure the fitting.



Step 4

Once the light is locked into the track, orient the luminaire to focus the light as required.