

P700.MINI Curve LED Pendant Light

Datasheet

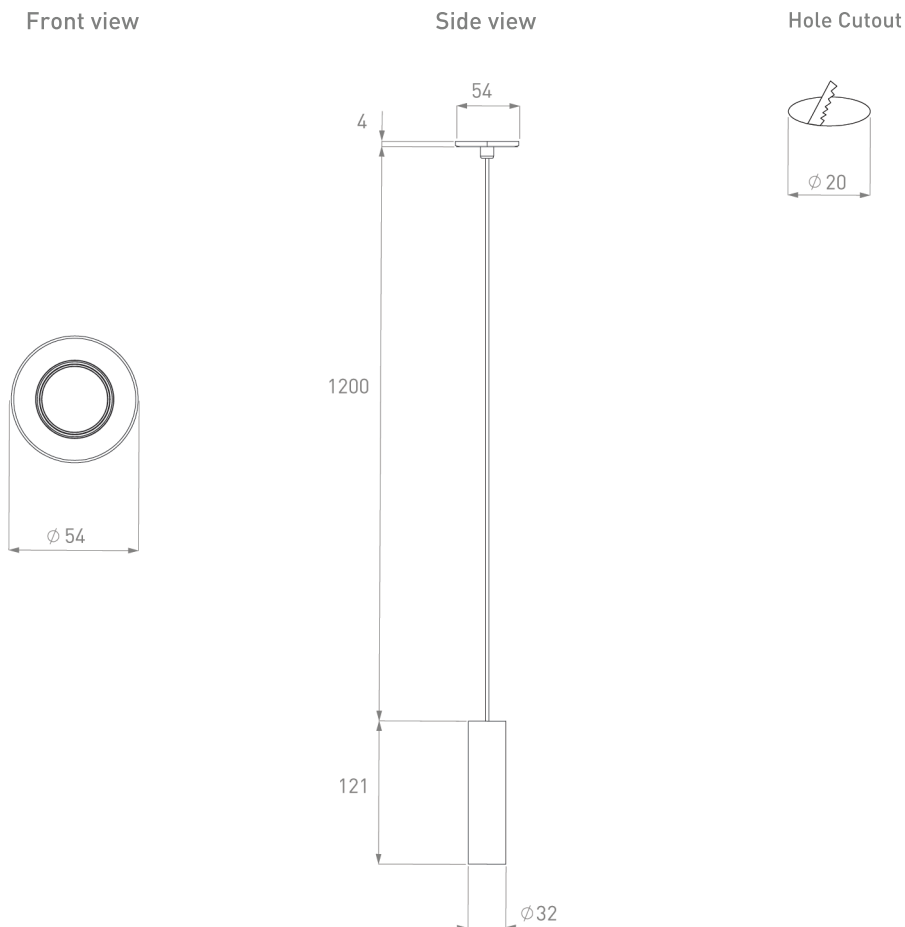


TRU-COLOUR®

Product Codes

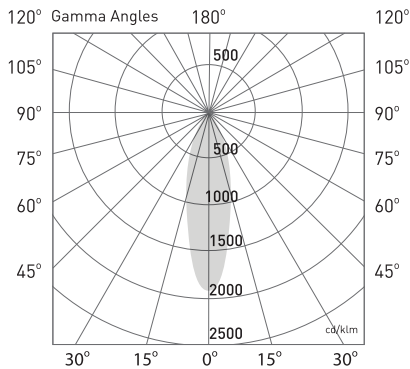
Unit: P700.MINI	Family: CR	Colour temp. (K): 1.8K.3.1K (1800K-3100K) (Nightshift Dim to Warm) (Special Order) 3K (3000K) 2.7K (2700K) (Special Order) 4K (4000K) (Special Order) 5K (5000K) (Special Order)	Beam Angle: 36° 50° (Special Order)	Color: B (BLACK) W (WHITE)	Driver: PHASE (PHASE)	Version: 1.0
---------------------------	----------------------	--------------------------------------------------------------------------------------------------------------------------------------------------------------------------------------------------------------	--------------------------------------------------	-----------------------------------------	---------------------------------	------------------------

Dimensions (mm)

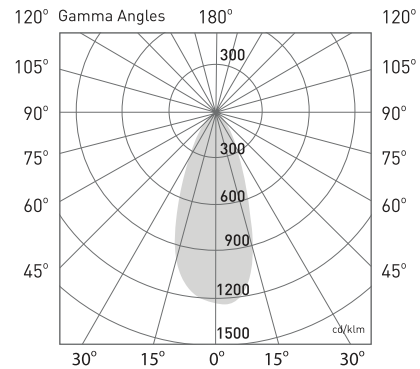


Photometrics

Photometric Diagram



Beam Angle: 36°



Beam Angle: 50°

CCT Outputs

CCT: 1800K-3100K
Efficacy: 71lm/W
Delivered lumen output: 640lm
CRI: 98
Standard deviation of colour Matching (SDCM): 3 MacAdam steps

CCT: 2700K
Efficacy: 70lm/W
Delivered lumen output: 630lm
CRI: 98
Standard deviation of colour Matching (SDCM): 3 MacAdam steps

CCT: 3000K
Efficacy: 71lm/W
Delivered lumen output: 640lm
CRI: 98
Standard deviation of colour Matching (SDCM): 3 MacAdam steps

CCT: 4000K
Efficacy: 73lm/W
Delivered lumen output: 655lm
CRI: 98
Standard deviation of colour Matching (SDCM): 3 MacAdam steps

CCT: 5000K
Efficacy: 79lm/W
Delivered lumen output: 710lm
CRI: 98
Standard deviation of colour Matching (SDCM): 3 MacAdam steps

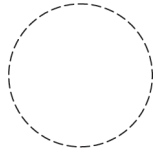
Electrical

Input Voltage: 220V-265V	Power Usage: 9W	Driver Power Factor: >0.9	IP Rating: IP44
------------------------------------	---------------------------	-------------------------------------	---------------------------

Operational

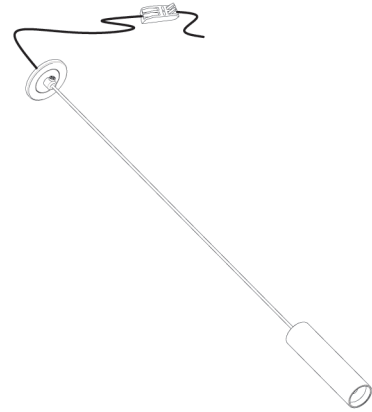
Ambient Temp.: -20°C to 50°C	Cable Length: 1.2m	Warranty: 7 Years	Lifetime: 70,000hrs
----------------------------------------	------------------------------	-----------------------------	-------------------------------

Installation



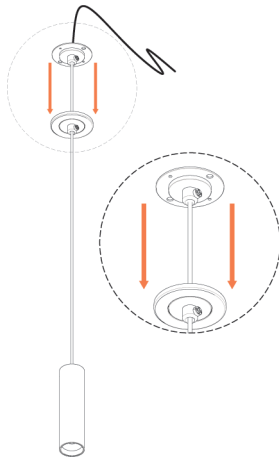
Step 1

Cut a 20mm hole in the ceiling.



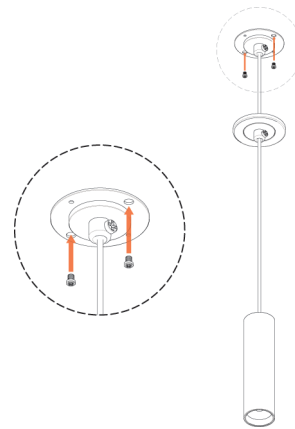
Step 2

Thread the 240V AC power cable through the hole and connect it to the terminal block.



Step 3

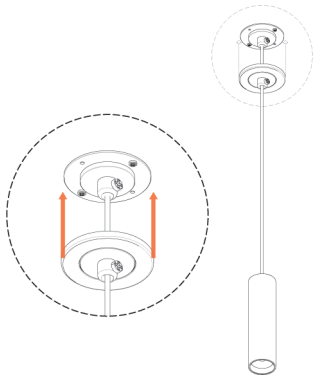
Slide the face plate off the ceiling rose to expose the screw mount holes.



Step 4

Fasten the light to the ceiling using the mounting screws provided.

Installation



Step 5

Slide the cover back to cover the ceiling mount.



Step 6

Adjust the pendant cable length by loosening the screw and pushing excess cable back into the ceiling.



Step 7

Installation complete.