

D700.SHX.MINI Curve LED Surface Mounted Downlight

Datasheet



TRU-COLOUR.

Product Codes

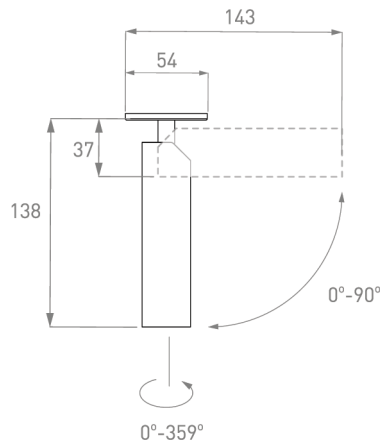
Unit:	Family:	Colour temp. (K):	Beam Angle:	Color:	Driver:	Version:
D700.SHX.MINI	CR	1.8K.3.1K (1800K-3100K) (Nightshift Dim to Warm) (Special Order) 2.7K (2700K) (Special Order) 4K (4000K) (Special Order) 5K (5000K) (Special Order)	36°	B (BLACK) W (WHITE)	PHASE (PHASE)	1.0

Dimensions (mm)

Front view



Side view

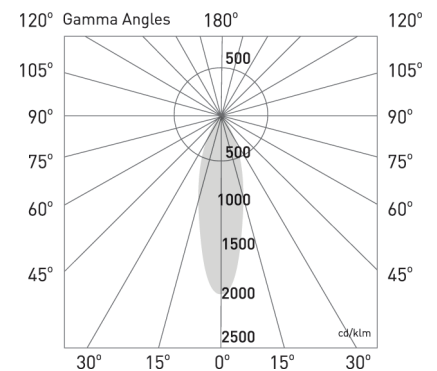


Hole Cutout



Photometrics

Source lumen output: 810lm
Delivered lumen: 640lm
Efficacy: 71lm/W
Colour temp.: 3000K
Beam angle: 36°
CRI: >98
Standard deviation of colour matching (SDCM): 2 Macadam steps



Electrical

Input Voltage:	Power Usage:	Driver Power Factor:	IP Rating:
220V-265V	9W	>0.9	IP44

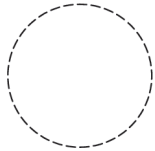
Operational

Ambient Temp.:
-20°C to 50°C

Warranty:
7 Years

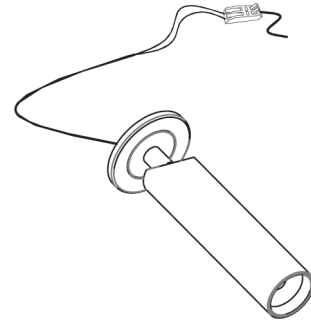
Lifetime:
70,000hrs

Installation



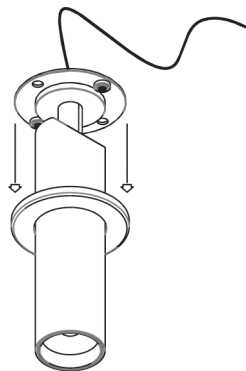
Step 1

Cut a 20mm hole in the ceiling



Step 2

Thread the 240V AC power cable through the hole and connect it to the terminal block.



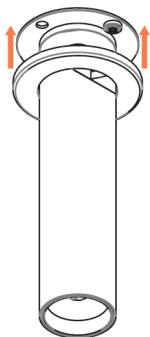
Step 3

Slide the face plate off the ceiling rose to expose the screw mount holes.



Step 4

Fasten the light to the ceiling using the mounting screws provided.



Step 5

Slide the cover back to cover the ceiling mount.



Step 6

Installation complete.