

W700.SHIPX.DUO Curve LED Wall Light

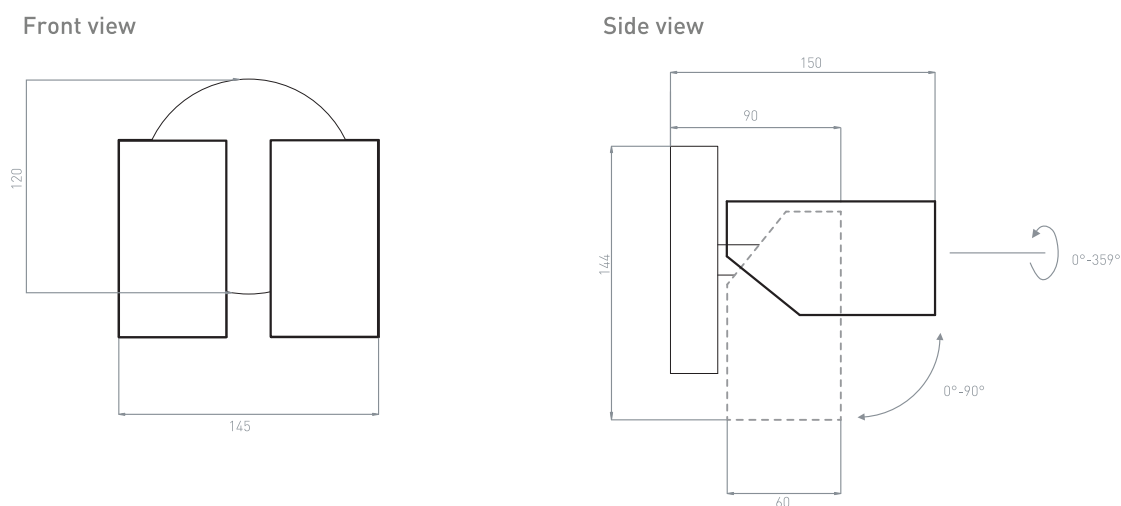
Datasheet



Product Codes

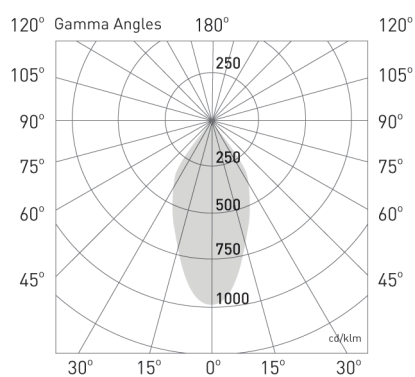
Unit: W700.SHIPX.DUO	Series: CR	Colour temp. (K): 2.7 (2700K)(Special order) 3K (3000K)	Beam Angle: 36°	Color: B (Black) W (White)	Control: PH (PHASE)	Version: 1.1
--------------------------------	----------------------	--	---------------------------	---	-------------------------------	------------------------

Dimensions (mm)



Photometrics

Photometric Diagram



CCT Outputs

CCT: 2700K
Efficacy: 65lm/W
Delivered lumen output: 645lm x2
CRI: >98
Standard deviation of colour Matching (SDCM): 2 MacAdam steps

CCT: 3000K
Efficacy: 66lm/W
Delivered lumen output: 660lm x2
CRI: >98
Standard deviation of colour Matching (SDCM): 2 MacAdam steps

Electrical

Input Voltage: 240V	Power Usage: 10WX2	Current: 200mA	Driver Power Factor: >0.9	Dimmable: Yes
-------------------------------	------------------------------	--------------------------	-------------------------------------	-------------------------

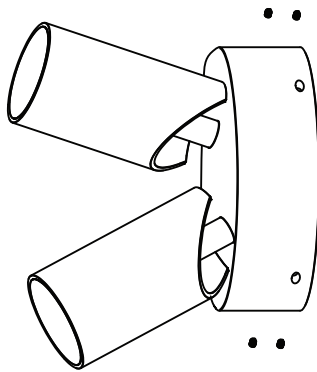
Physical

Mounting type: Surface	IP Rating: IP65	IK Rating: IK07
----------------------------------	---------------------------	---------------------------

Operational

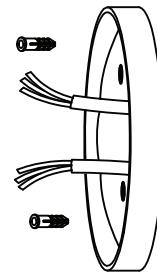
Ambient temp.: -20°C to 40°C	Lifetime L70, B10: 50,000 hrs	Warranty: 5 years
--	---	-----------------------------

Installation



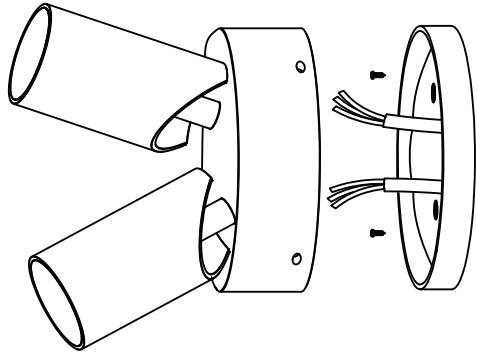
Step 1

Unscrew the four grub screws from the top and bottom of the luminaire housing to release the base plate and junction box.



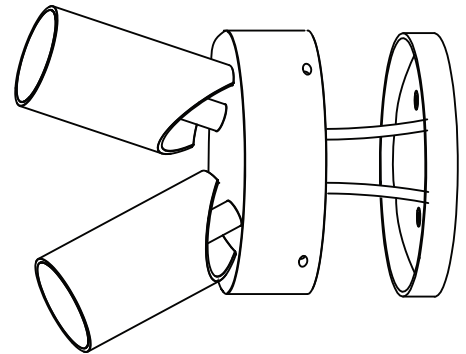
Step 2

Thread the power cable through the base plate. Use the base plate as a guide to drill two pilot holes for the wall plugs.



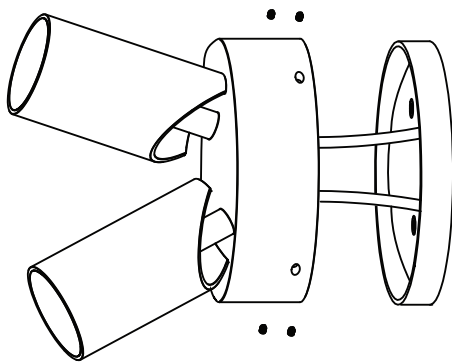
Step 3

Once wall plugs have been pressed into the wall fasten the base plate to the wall using the screws provided.



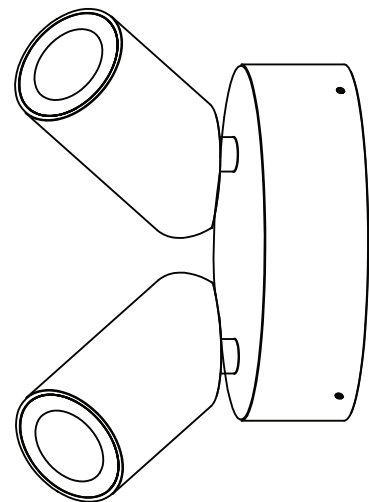
Step 4

Connect the mains power cable to the terminal block.



Step 5

Position the luminaire housing back to the base plate and secure by screwing the grub screws back in.



Step 6

Once the light is installed, orient the luminaire to focus the light as required.