

W700.SHIPX.DUO Curve LED Wall Light

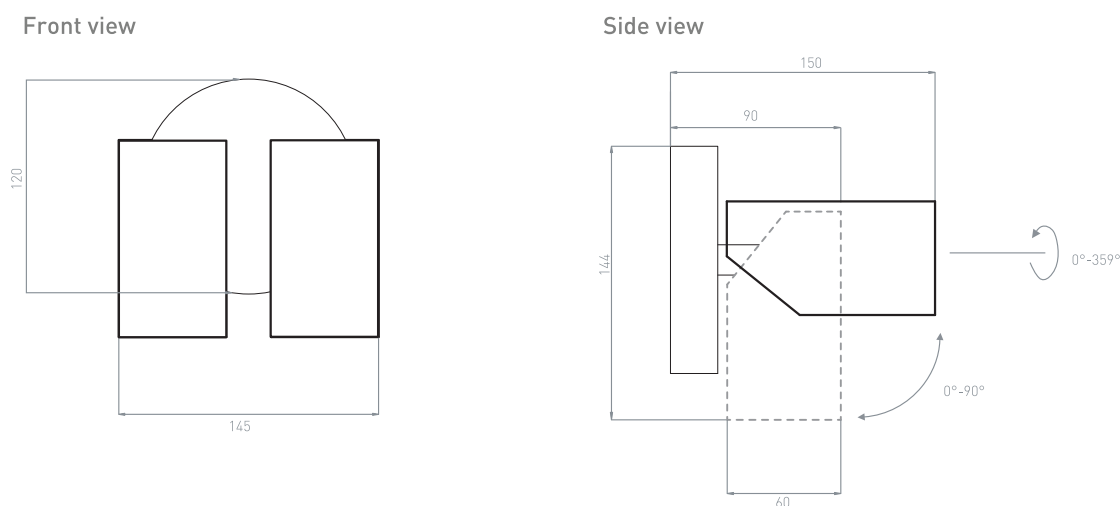
Datasheet



Product Codes

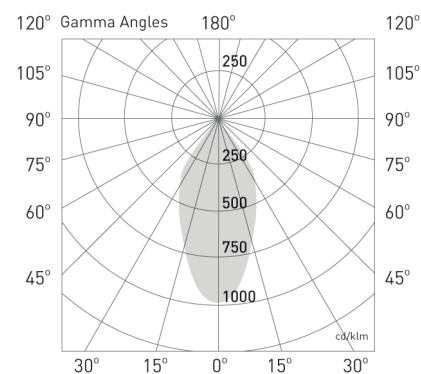
Unit: W700.SHIPX.DUO	Series: CR	Colour temp. (K): 2.7 (2700K)(Special order) 3K (3000K) 4K (4000K)(Special order)	Beam Angle: 36°	Color: B (BLACK) W (WHITE) (RAL8025)	Driver: ND (Non-Dimmable)	Version: 1.0
--------------------------------	----------------------	---	---------------------------	--	-------------------------------------	------------------------

Dimensions (mm)

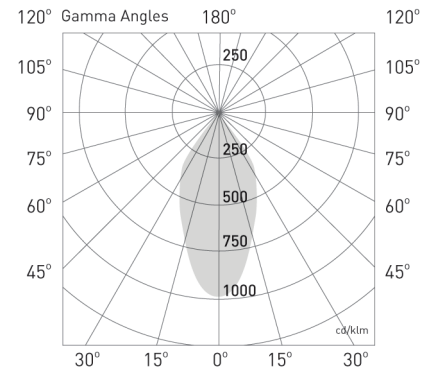


Photometrics

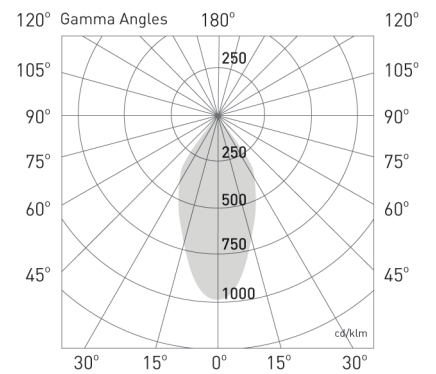
Source lumens output: 810lm x2
Delivered lumen: 645lm x2
Efficacy: 65lm/W
Colour temp: 2700K
Beam angle: 36°
CRI: >98
Standard deviation of colour matching (SDCM): 2 Macadam Steps



Source lumens output: 825lm x2
Delivered lumen: 660lm x2
Efficacy: 66lm/W
Colour temp: 3000K
Beam angle: 36°
CRI: >98
Standard deviation of colour matching (SDCM): 2 Macadam Steps



Source lumens output: 840lm x2
Delivered lumen: 675lm x2
Efficacy: 67lm/W
Colour temp: 4000K
Beam angle: 36°
CRI: >98
Standard deviation of colour matching (SDCM): 2 Macadam Steps



Electrical

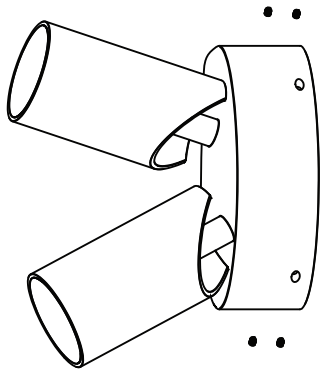
Input Voltage: 240V	Power Usage: 10WX2	Current: 200mA	Driver Power Factory: >0.9	Dimmable: No
-------------------------------	------------------------------	--------------------------	--------------------------------------	------------------------

Physical

Mounting type: Surface	IP Rating: IP65	IK Rating: IK07
----------------------------------	---------------------------	---------------------------

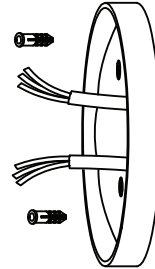
Operational

Ambient temp.: -20°C to 40°C	Lifetime L70: 50,000 hrs	Warranty 5 years
--	------------------------------------	----------------------------



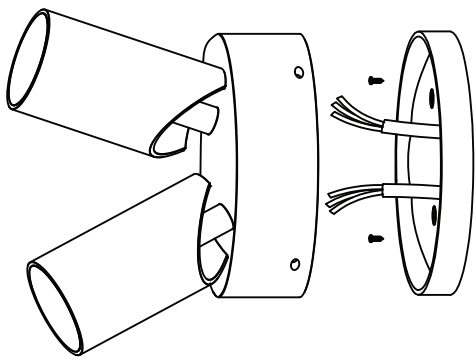
Step 1

Unscrew the four grub screws from the top and bottom of the luminaire housing to release the base plate and junction box.



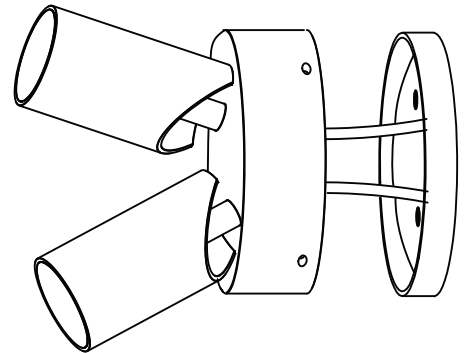
Step 2

Thread the power cable through the base plate. Use the base plate as a guide to drill two pilot holes for the wall plugs.



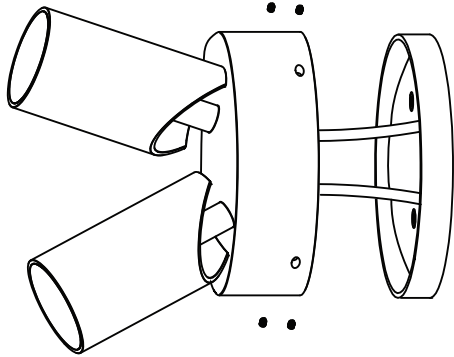
Step 3

Once wall plugs have been pressed into the wall fasten the base plate to the wall using the screws provided.



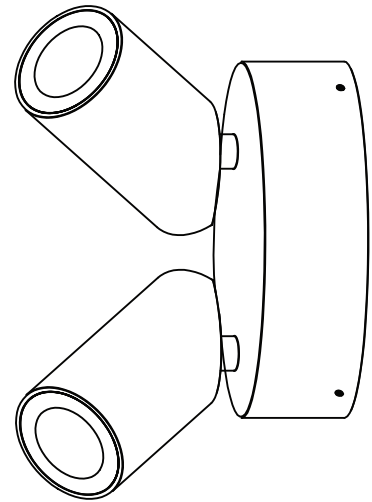
Step 4

Connect the mains power cable to the terminal block.



Step 5

Position the luminaire housing back to the base plate and secure by screwing the grub screws back in.



Step 6

Once the light is installed, orient the luminaire to focus the light as required.