

W100.SIP Curve LED Wall Light

Datasheet



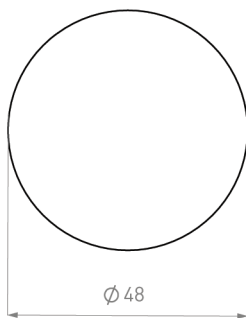
TRU-COLOUR.

Product codes

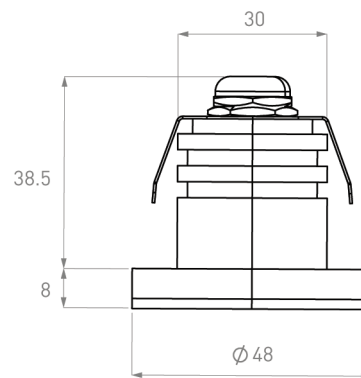
Unit: W100.SIP	Series: CR	Colour temp.: 2.7K (2700K) (Special Order) 3K (3000K)	Beam angle (°): DF (Diffused)	Colour: W (White) B (Black) BRO (Bronze) (RAL8025)	Driver: PHASE (PHASE) DALI (DALI) ZIGBEE (ZIGBEE)	Version: 1.0
--------------------------	----------------------	--	---	---	---	------------------------

Dimensions (mm)

Front view

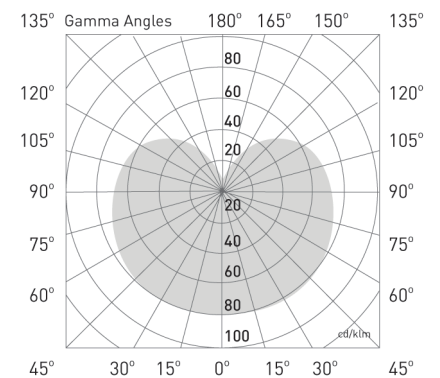


Side view



Photometrics

Source lumen output: 110lm
Delivered lumen: 75lm
Efficacy: 74lm/W, 75lm/W
Colour temp.: 2700K, 3000K
Beam angle: DF
CRI: >98
Standard deviation of colour matching (SDCM): 2 Macadam steps



Electrical

Input voltage:
24V

Power usage:
1W

Driver power factor:
>0.9

IP rating:
IP65

Dimmable:
Yes

Operational

Ambient Temp.:
-20°C to 50°C

Lifetime:
70,000 hrs

SDCM:
2MacAdam Steps

Physical

Warranty:
7 years

Mounting type:
Surface-mounted