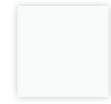


# W100.SIP Cube LED Wall Light

## Datasheet



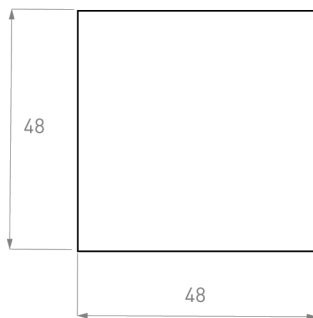
**TRU-COLOUR.**

### Product codes

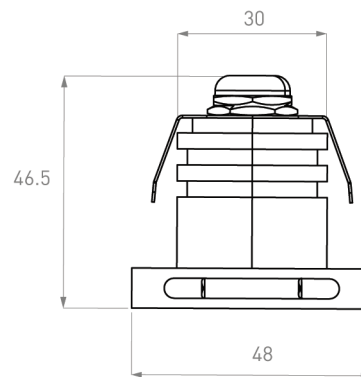
<b>Unit:</b> W100.SIP	<b>Series:</b> CB	<b>Colour temp.:</b> 2.7K (2700K) (Special Order) 3K (3000K)	<b>Beam angle (°):</b> DF (Diffused)	<b>Colour:</b> W (White) B (Black) BRO (Bronze) (RAL8025)	<b>Driver:</b> PHASE (PHASE) DALI (DALI) ZIGBEE (ZIGBEE)	<b>Version:</b> 1.0
--------------------------	----------------------	--	---	---	---	------------------------

### Dimensions (mm)

Front view

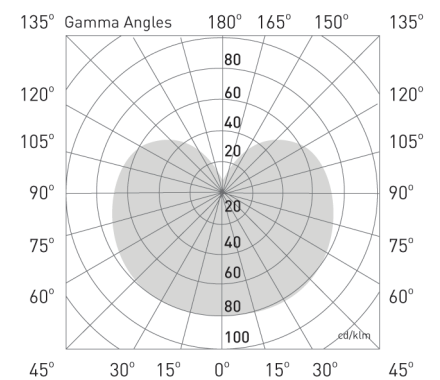


Side view



### Photometrics

**Source lumen output:** 110lm  
**Delivered lumen:** 75lm  
**Efficacy:** 78lm/W, 80lm/W  
**Colour temp.:** 2700K, 3000K  
**Beam angle:** DF  
**CRI:** >98  
**Standard deviation of colour matching (SDCM):** 2 Macadam steps



## Electrical

---

**Input voltage:**  
24V

**Power usage:**  
1W

**Driver power factor:**  
>0.9

**IP rating:**  
IP65

**Dimmable:**  
Yes

## Operational

---

**Ambient Temp.:**  
-20°C to 50°C

**Lifetime:**  
70,000 hrs

**SDCM:**  
3MacAdam Steps

## Physical

---

**Warranty:**  
7 years

**Mounting type:**  
Surface-mounted