

# W100.IP Curve LED Wall Light

## Datasheet

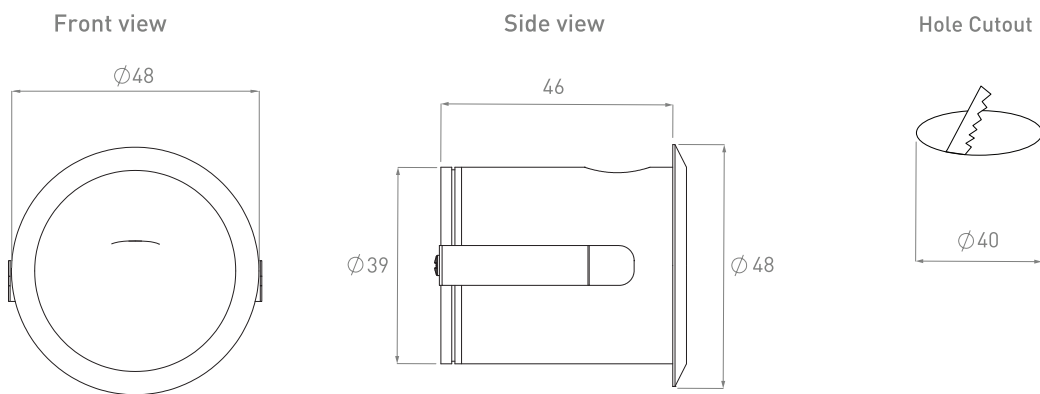


**TRU-COLOUR.**

### Product codes

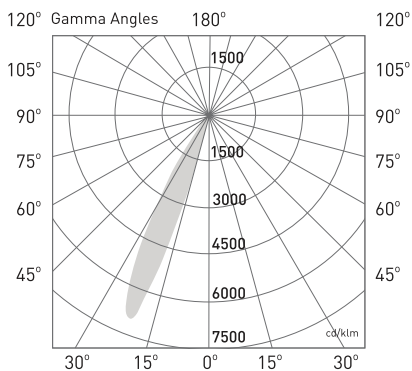
<b>Unit:</b> W100.IP	<b>Series:</b> CR	<b>Colour temp.:</b> 2.7K (2700K) (Special Order) 3K (3000K)	<b>Beam angle (°):</b> ASD (Asymmetrical Down)	<b>Colour:</b> W (White) B (Black)
<b>Input voltage:</b> 24V	<b>Version:</b> 1.2			

### Dimensions (mm)



### Photometrics

#### Photometric Diagram



#### CCT Output

**CCT: 2700K**  
**Efficacy: 34lm/W**  
**Lumen output: 120lm**  
**CRI: 98**  
**Standard deviationn of colour Matching (SDCM): 2 MacAdam steps**

**CCT: 3000K**  
**Efficacy: 34lm/W**  
**Lumen output: 120lm**  
**CRI: 98**  
**Standard deviationn of colour Matching (SDCM): 2 MacAdam steps**

## Electrical

**Input voltage:**  
DC 24V

**Power usage:**  
3.5W

**Driver power factor:**  
>0.9

**IP rating:**  
IP65

**Dimmable:**  
Yes

**Driver:**  
PHASE (PHASE)  
DALI (DALI)  
ZIGBEE (ZIGBEE 3.0)  
010V (0-10V)  
ND (Non-Dimmable)

## Operational

**Ambient Temp.:**  
-20°C to 50°C

**Lifetime L70, B10:**  
70,000 hrs

**SDCM:**  
2MacAdam Steps

**IC Rating:**  
IC-4

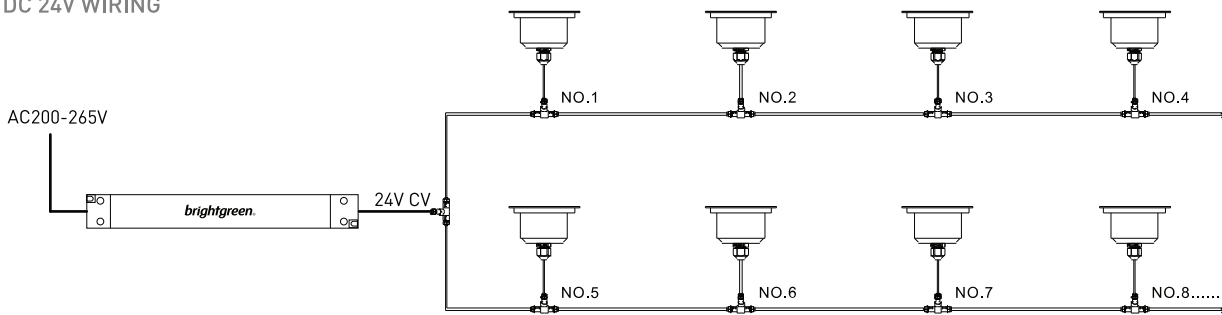
## Physical

**Warranty:**  
7 years

**Mounting type:**  
Recessed

## Wiring Diagram

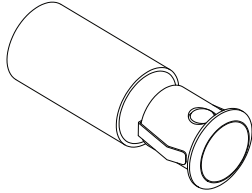
### DC 24V WIRING



Lamps overall power depends on the main power supply(can not exceed 80% of main power supply)

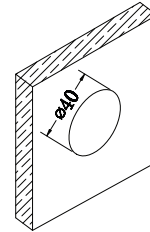
## Installation

### Method 1: Installation on False Layers (Wood, Plywood, Plasterboard, Metal, Rock, etc)



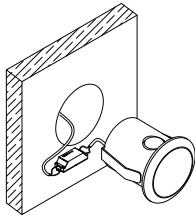
#### Step 1

Separate mounting sleeve from the luminaire. The mounting sleeve is not required for this installation.



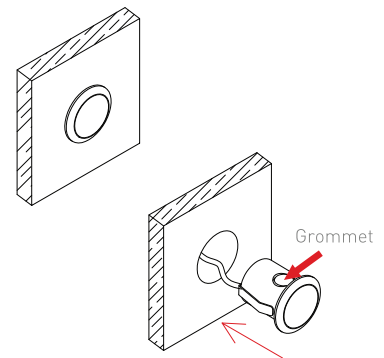
#### Step 2

Cut a 40mm diameter hole on the false layer at the desired location.



#### Step 3

Plug the driver into a mounted general power (GPO) in the wall.



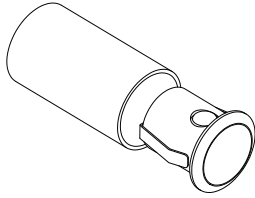
#### Step 4

Insert the luminaire into the hole, orient the luminaire as required.

*Note: If the light is oriented upwards, remove the rubber grommet found at the top to prevent accumulation of water.*

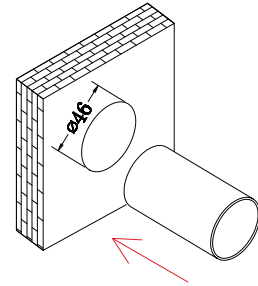
## Installation

### Method 2: Installation on Brick Walls



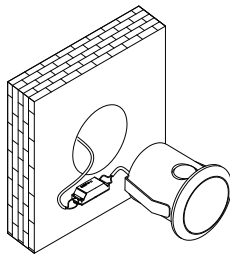
#### Step 1

Separate mounting sleeve from the luminaire.



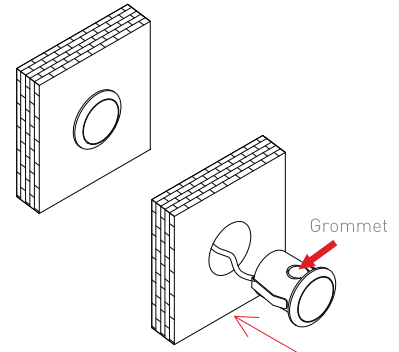
#### Step 2

Cut a 46mm hole diameter in the wall at the desired location then embed the mounting sleeve. Paint the wall afterwards.



#### Step 3

Plug the driver into a mounted general power (GPO) in the wall.



#### Step 4

Insert the luminaire into the mounting sleeve, orient the luminaire as required.

*Note: If the light is oriented upwards, remove the rubber grommet found at the top to prevent accumulation of water.*