

W100.IP Cube LED Wall Light

Datasheet



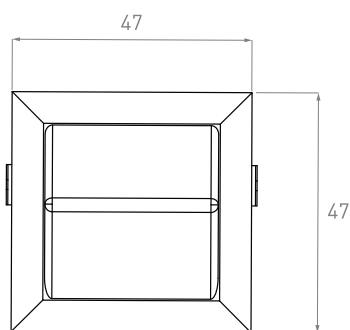
TRU-COLOUR®

Product codes

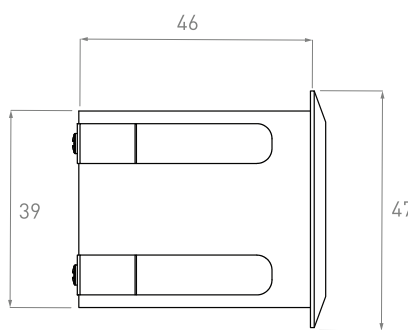
Unit: W100.IP	Series: CB	Colour temp.: 2.7K (2700K) (Special Order) 3K (3000K)	Beam angle (°): ASD (Asymmetrical Down)	Colour: W (White) B (Black)
Input voltage: 24V	Version: 1.2			

Dimensions (mm)

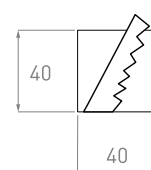
Front view



Side view

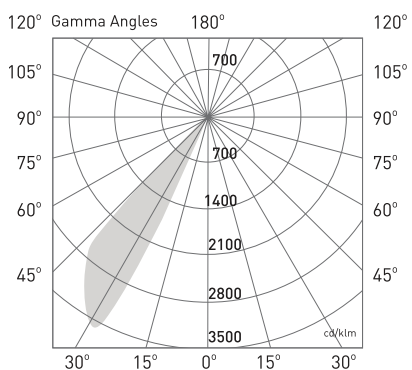


Hole Cutout



Photometrics

Photometric Diagram



CCT Output

CCT: 2700K
Efficacy: 34lm/W
Lumen output: 120lm
CRI: 98
Standard deviation of colour Matching (SDCM): 2 MacAdam steps

CCT: 3000K
Efficacy: 34lm/W
Lumen output: 120lm
CRI: 98
Standard deviation of colour Matching (SDCM): 2 MacAdam steps

Electrical

Input voltage:
DC 24V

Power usage:
3.5W

Driver power factor:
>0.9

IP rating:
IP65

Dimmable:
Yes

Driver:
PHASE (PHASE)
DALI (DALI)
ZIGBEE (ZIGBEE 3.0)
010V (0-10V)
ND (Non-Dimmable)

Operational

Ambient Temp.:
-20°C to 50°C

Lifetime L70, B10:
70,000 hrs

SDCM:
2MacAdam Steps

IC Rating:
IC-4

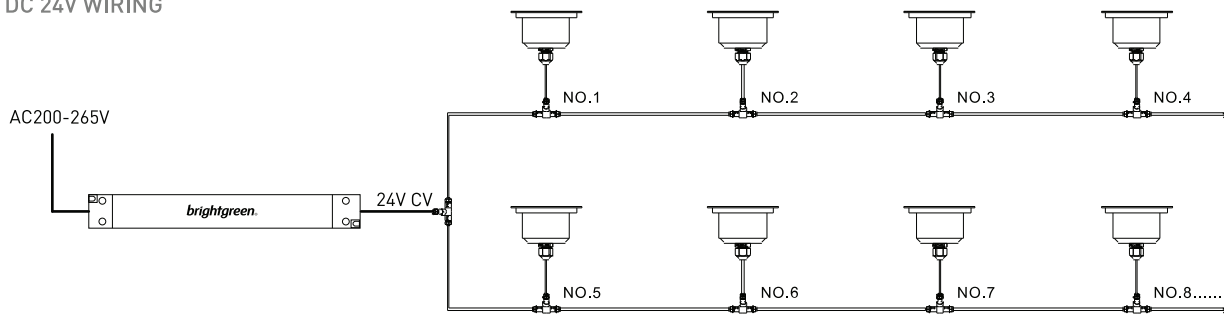
Physical

Warranty:
7 years

Mounting type:
Recessed

Wiring Diagram

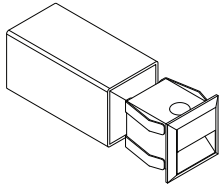
DC 24V WIRING



Lamps overall power depends on the main power supply (can not exceed 80% of main power supply)

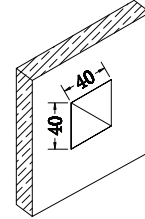
Installation

Method 1: Installation on False Layers (Wood, Plywood, Plasterboard, Metal, Rock, etc)



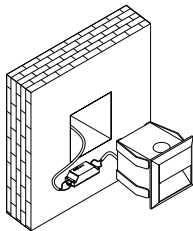
Step 1

Separate mounting sleeve from the luminaire. The mounting sleeve is not required for this installation.



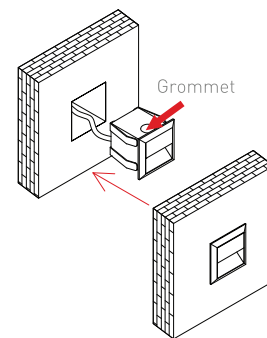
Step 2

Cut a 40mm x 40mm hole on the false layer at the desired location.



Step 3

Plug the driver into a mounted general power (GPO) in the wall.



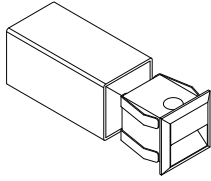
Step 4

Insert the luminaire into the mounting sleeve, orient the luminaire as required.

Note: If the light is oriented upwards, remove the rubber grommet found at the top to prevent accumulation of water.

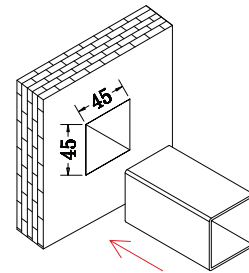
Installation

Method 2: Installation on Brick Walls



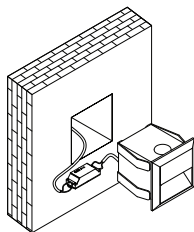
Step 1

Separate mounting sleeve from the luminaire.



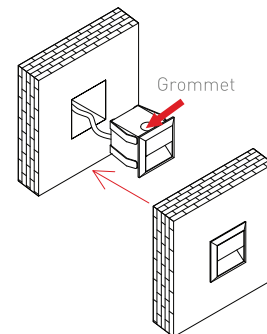
Step 2

Cut a 45mm x 45mm hole in the wall at the desired location then embed the mounting sleeve. Paint the wall afterwards.



Step 3

Plug the driver into a mounted general power (GPO) in the wall.



Step 4

Insert the luminaire into the mounting sleeve, orient the luminaire as required.

Note: If the light is oriented upwards, remove the rubber grommet found at the top to prevent accumulation of water.