

W100.IP Curve LED Wall Light

Datasheet

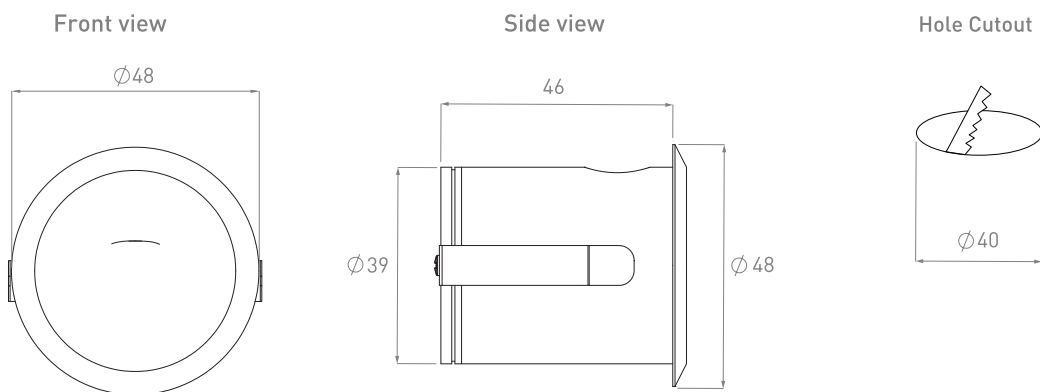


TRU-COLOUR.

Product codes

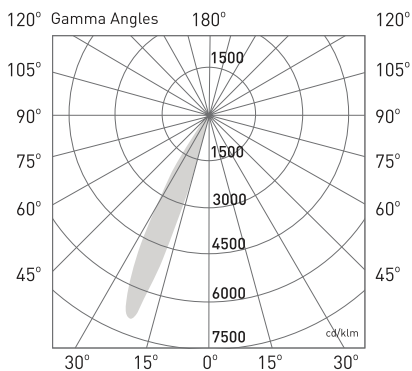
Unit: W100.IP	Series: CR	Colour temp.: 2.7K (2700K) (Special Order) 3K (3000K)	Beam angle (°): ASD (Asymmetrical Down)	Colour: W (White) B (Black)
Input voltage: 24V	Version: 1.3			

Dimensions (mm)



Photometrics

Photometric Diagram



CCT Output

CCT: 2700K
Efficacy: 34lm/W
Lumen output: 100lm
CRI: 98
Standard deviation of colour Matching (SDCM): 2 MacAdam steps

CCT: 3000K
Efficacy: 35lm/W
Lumen output: 105lm
CRI: 98
Standard deviation of colour Matching (SDCM): 2 MacAdam steps

Electrical

Input voltage:
DC 24V

Power usage:
3W

Driver power factor:
>0.9

IP rating:
IP65

Dimmable:
Yes

Driver:
PHASE (PHASE)
DALI (DALI)
ZIGBEE (ZIGBEE 3.0)
010V (0-10V)
ND (Non-Dimmable)

Operational

Ambient Temp.:
-20°C to 50°C

Lifetime L70, B10:
70,000 hrs

SDCM:
2MacAdam Steps

IC Rating:
IC-4

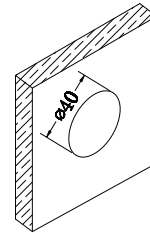
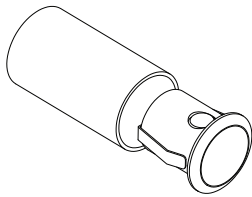
Physical

Warranty:
7 years

Mounting type:
Recessed

Installation

Method 1: Installation on False Layers (Wood, Plywood, Plasterboard, Metal, Rock, etc)



Step 1

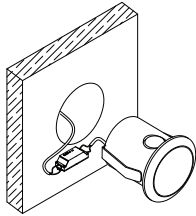
Separate mounting sleeve from the luminaire. The mounting sleeve is not required for this installation.

Step 2

Cut a 40mm diameter hole on the false layer at the desired location.

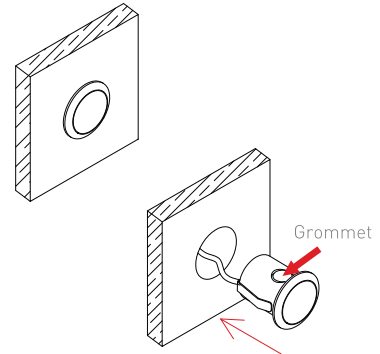
Installation

Method 1: Installation on False Layers (Wood, Plywood, Plasterboard, Metal, Rock, etc)



Step 3

Plug the driver into a mounted general power (GPO) in the wall.

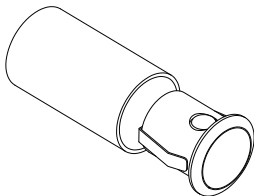


Step 4

Insert the luminaire into the hole, orient the luminaire as required.

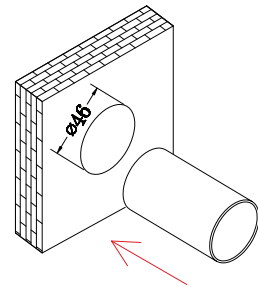
Note: If the light is oriented upwards, remove the rubber grommet found at the top to prevent accumulation of water.

Method 2: Installation on Brick Walls



Step 1

Separate mounting sleeve from the luminaire.

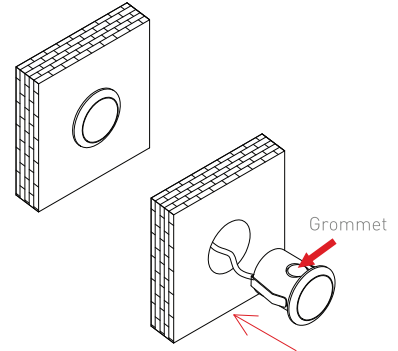
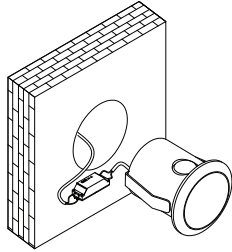


Step 2

Cut a 46mm hole diameter in the wall at the desired location then embed the mounting sleeve. Paint the wall afterwards.

Installation

Method 2: Installation on Brick Walls



Step 3

Plug the driver into a mounted general power (GPO) in the wall.

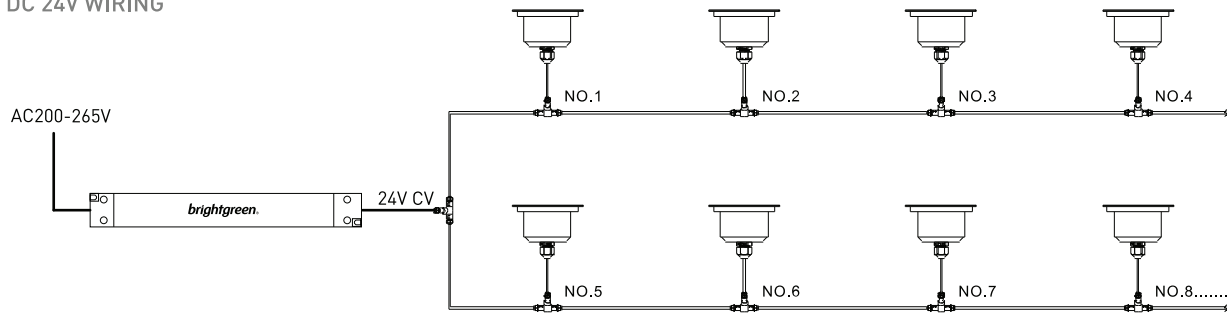
Step 4

Insert the luminaire into the mounting sleeve, orient the luminaire as required.

Note: If the light is oriented upwards, remove the rubber grommet found at the top to prevent accumulation of water.

Wiring Diagram

DC 24V WIRING



Lamps overall power depends on the main power supply (can not exceed 80% of main power supply)