

# D700.B Curve LED Downlight

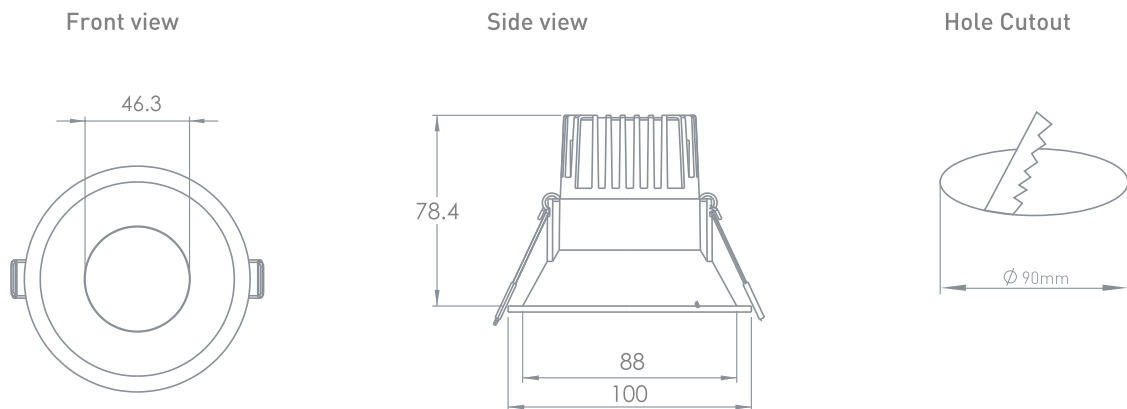
## Datasheet



### Product Codes

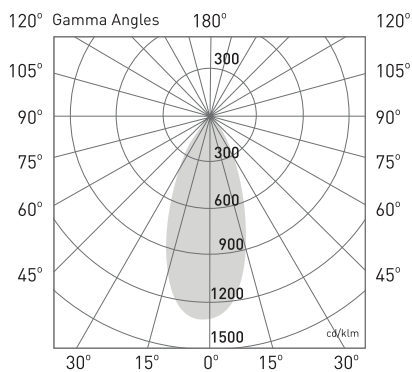
|  |                      |  |  |                           |  |
|--|----------------------|--|--|---------------------------|--|
| <b>Unit:</b><br>D700.B   | <b>Series:</b><br>CR | <b>CRI:</b><br>90 (>90)<br>97 (>97)(Special Order) | <b>Colour temp. (K):</b><br>3K (3000K)<br>4K (4000K) | <b>Beam Angle:</b><br>45° | <b>Color:</b><br>W (WHITE)<br>B (BLACK)(Special order) |
| <b>Control:</b><br>PHASE (PHASE)<br>010V (0-10V)<br>DALI (DALI)<br>ZIGBEE (ZIGBEE 3.0) |                      | <b>Version:</b><br>1.0                             |  |                           |  |

### Dimensions (mm)



### Photometrics

#### Photometric Diagram



Beam Angle: 45°

#### CCT Outputs

**CCT: 3000K**  
**Efficacy: 75lm/W**  
**Delivered Lumen Output: 750lm**  
**CRI: >90**

**CCT: 4000K**  
**Efficacy: 77lm/W**  
**Delivered Lumen Output: 765lm**  
**CRI: >90**

## Electrical

---

**Input Voltage:**  
220-240V

**Power Usage:**  
10W

**IP Rating:**  
IP44

**Driver power factor:**  
>0.9

**Dimming:**  
Yes

## Operational

---

**IC Rating:**  
IC-4

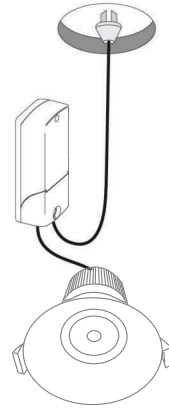
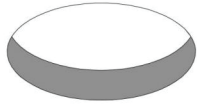
**Ambient Temperature:**  
-20°C to 40°C

**Lifetime:**  
70,000 hrs

**Warranty:**  
5 Years

## Installation

---

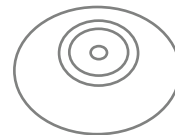
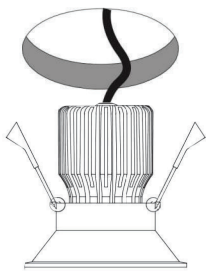


### Step 1

Using a  $\varnothing 90$ mm hole saw, cut a hole in the ceiling at the desired location.

### Step 2

Plug the driver into a mounted general power outlet (GPO) in the ceiling.



### Step 3

Pull back the springs and insert the luminaire into the ceiling cavity. This luminaire can be covered and abutted with insulation.

### Step 4

Installation complete.