

D700.B Curve LED Downlight

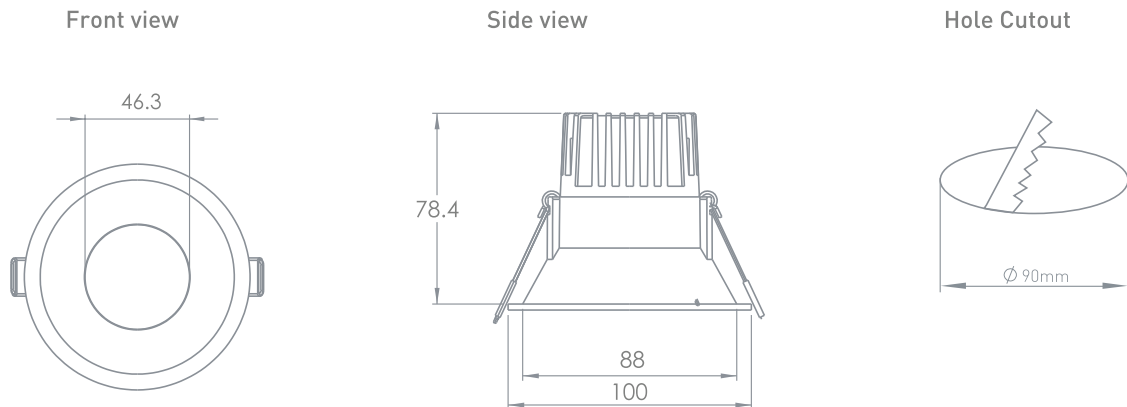
Datasheet



Product Codes

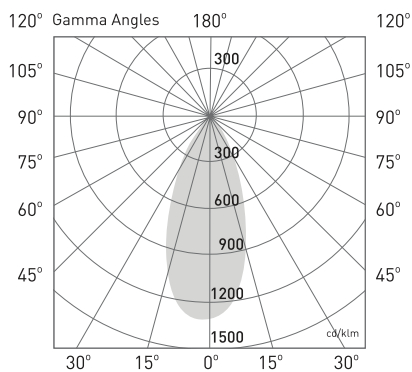
Unit: D700.B	CRI: 80 (>80) 85 (>85) 90 (>90) 95 (>95)	Series: CR	Colour temp. (K): 3K (3000K) 4K (4000K)(Special order)	Beam Angle: 45°	Color: W (WHITE) B (BLACK)(Special order)
Control: PHASE (PHASE) 010V (0-10V)(Special order) DALI (DALI)(Special order) ZIGBEE (ZIGBEE 3.0)(Special order)		Version: 1.1			

Dimensions (mm)



Photometrics

Photometric Diagram



Beam Angle: 45°

CCT Outputs

CCT: 3000K
Efficacy: 75lm/W
Delivered Lumen Output: 750lm

CCT: 4000K
Efficacy: 77lm/W
Delivered Lumen Output: 765lm

Electrical

Input Voltage:
220-240V

Power Usage:
10W

IP Rating:
IP44

Driver power factor:
>0.9

Dimming:
Yes

Operational

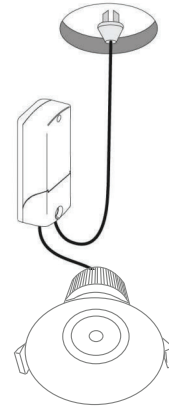
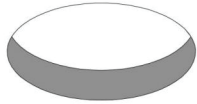
IC Rating:
IC-4

Ambient Temperature:
-20°C to 40°C

Lifetime:
70,000 hrs

Warranty:
5 Years

Installation

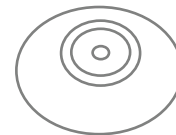
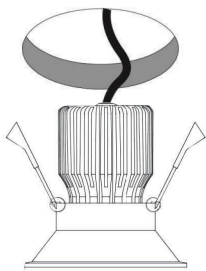


Step 1

Using a $\varnothing 90\text{mm}$ hole saw, cut a hole in the ceiling at the desired location.

Step 2

Plug the driver into a mounted general power outlet (GPO) in the ceiling.



Step 3

Pull back the springs and insert the luminaire into the ceiling cavity. This luminaire can be covered and abutted with insulation.

Step 4

Installation complete.