

D700.MINI Curve LED Downlight

Datasheet



TRU-COLOUR®

Product Codes

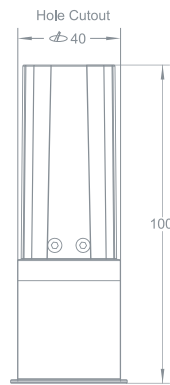
Unit:	Family:	Colour temp. (K):	Beam Angle:	Outer Color:	Inner Color:	Driver:	Version:
D700.MINI	CR	2.7K (2700K) 3K (3000K) 4K (4000K) 5K (5000K)	15° 24° 36°	BO (BLACK) WO (WHITE)	BI (BLACK) WI (WHITE)	PHASE (PHASE) ND (NON-DIMMABLE)	1.0

Dimensions (mm)

Front view



Side view



Photometrics

CCT:
3000K

Efficacy:
75lm/W

Delivered Lumen Output:
800lm

CRI:
CRI98

CCT:
4000K

Efficacy:
77lm/W

Delivered Lumen Output:
815lm

CRI:
CRI98

Electrical

Input Voltage:
240V

Power Usage:
10.6W

Driver Power Factor:
>0.9

IP Rating:
IP44

Surge Protection:
3100V

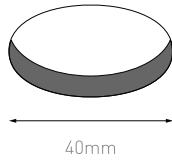
Operational

Ambient Temp.:
-20°C to 60°C

Warranty:
7 Years

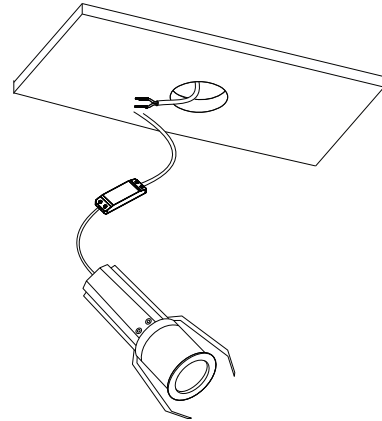
Lifetime:
70,000hrs

Installation



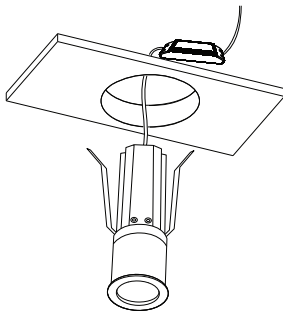
Step 1

Using a 40mm hole saw, cut a hole in the ceiling at the desired location.



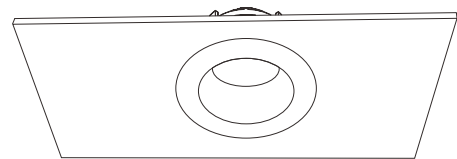
Step 2

Terminate the power cable from the ceiling to the driver using a junction box.



Step 3

Pull back the springs and insert the luminaire into the ceiling cavity.



Step 4

Installation complete.