

D700 Cube LED downlight

Datasheet

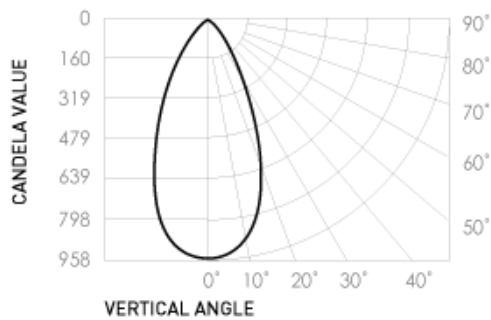


Product codes

Unit: D700	Series: CB	Colour temp.: 2.8K.5.8K 3K	Beam angle (°): 55	Colour: B (Black) W (White)	Driver Type: - (PHASE) DALI (DALI) SMART (ZIGBEE 3.0) CASAMBI (CASAMBI)
----------------------	----------------------	---	------------------------------	--	--

Photometrics

Standard Products



Source lumen output: 980lm

Delivered lumen: 680lm

Efficacy: 64lm/W

Colour temp.: 3000K

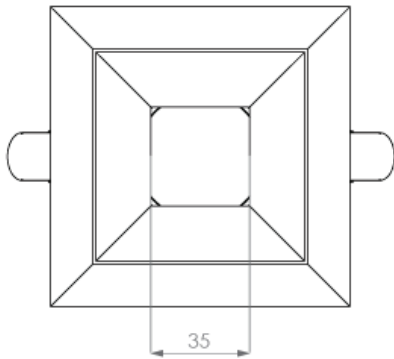
Beam angle: 55°

CRI: 97

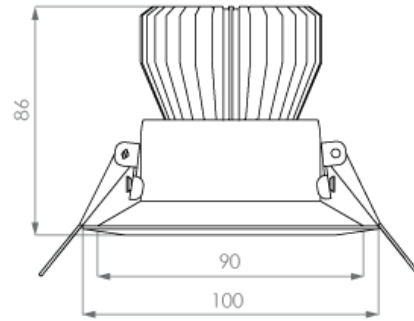
Standard Deviation of colour matching (SDCM): 2MacAdams Steps

Dimensions (mm)

Front view



Side view



Electrical

Input voltage: 220-240V	Power usage: 10.6W	Driver power factor: 0.9	IP rating: IP44	Surge protection: Yes
AC Cable length: 1.2m	Dimmable: Yes	Driver: BG-010BSD-235mA BG-030SMART-250/1000mA-DS (set to 350mA)	DC Cable Length: 0.3m	

Operational

Average temp.: 65°C	Ambient temp.: -28 to 60°C	Lifetime L70, B10: 70,000 hrs (@TA25)	Thermal rating: IC	Source Lumens: 980lm
SDCM: 2MacAdam Steps				

Physical

Gimbal angle: 17° Universal	Warranty: 7 years	Version: 1.0
---------------------------------------	-----------------------------	------------------------

Compatibility

Recommended Dimmers:

Compatible with leading home automation systems and dimmers.

Recommended Dimmers:

Universal, Trailing Edge, Leading Edge.
Dali option available on request.

*For more details please refer to:
<https://brightgreen.com/digital-driver>

All systems are unique, please
call 1300 672 499 for advice on your installation.

Brightgreen Smart Lighting:

Dimmable LED driver utilises Zigbe 3.0 protocol

Compatible with universal Zigbee Hub products such as Philips Hue
Samsung Smart Things.

Follow pairing procedure found in smart driver datasheet

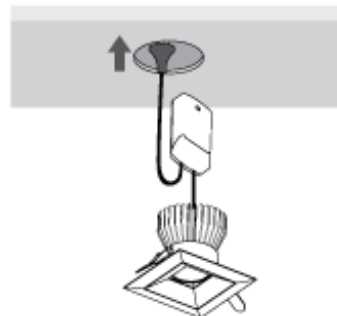
*For more details please call 1300 672 499 for advice on your installation.

Installation



Step 1

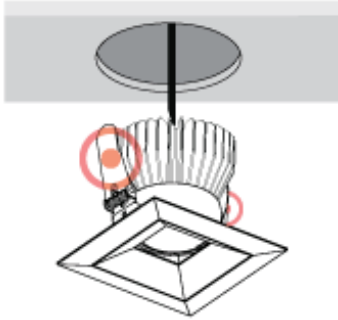
Using a 92mm hole saw, cut a hole in the ceiling at the desired location.



Step 2

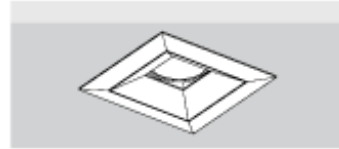
Plug the driver into a mounted general power outlet (GPO) in the ceiling.

Installation



Step 3

Pull back the springs and insert the luminaire into the ceiling cavity. This luminaire can be covered and abutted with insulation.



Step 4

Once the light is installed, orient the luminaire using its gimbal to focus the light as required.