

ST4 Linear LED smart Datasheet

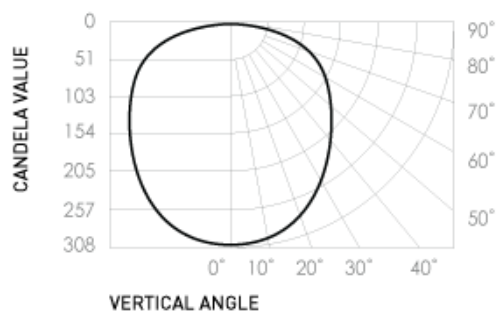


Product codes

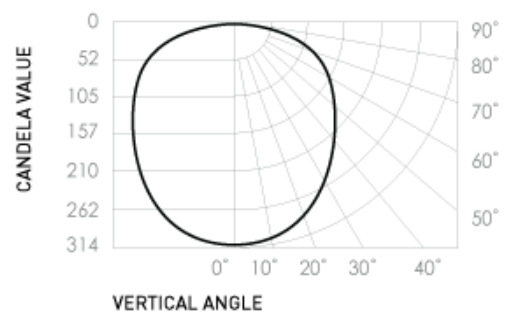
Unit:	Series:	Colour temp.:	Beam angle (°):
ST4	LN	3K 4K	120

Photometrics

Standard Products



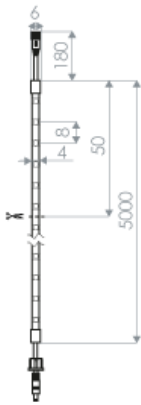
Source lumen output: 967lm
Delivered lumen: 967lm
Efficacy: 97lm/W
Colour temp.: 3000K
Beam angle: 120°



Source lumen output: 987lm
Delivered lumen: 987lm
Efficacy: 99lm/W
Colour temp.: 4000K
Beam angle: 120°

Dimensions (mm)

Front view



Side view



Electrical

Input voltage: 24V	Power usage: 10W/mW	IP rating: IP54	Surge protection: 3100V	Dimmable: Yes
Driver for Pro-LN: Non-Dimmable or Phase or Dali or 010V or SMART or CASAMBI	Circuit Wattage: 10W/mWm			

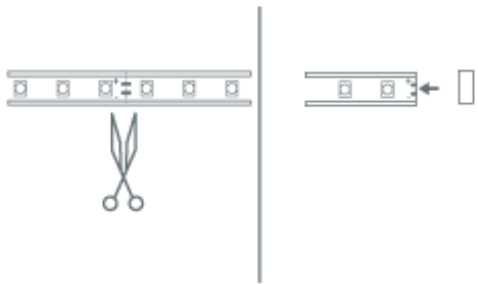
Operational

Average temp.: 60°C	Lifetime L70, B10: 97,000 hrs (@TA25)	Source Lumens: 967lm or 987lm
-------------------------------	---	---

Physical

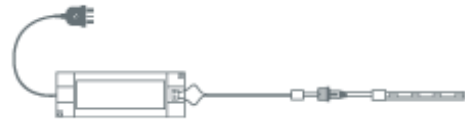
Gimbal angle: N/A	Warranty: 7 years	Length: 5.0mm	Outer Body: White
-----------------------------	-----------------------------	-------------------------	-----------------------------

Installation



Step 1

If needed cut the strip to length on the closest cut line. Realign the end cap with silicone glue.



Step 2

Unscrew the cap off the driver and wire the strip into the driver using the terminal block.



Step 3

If needed attach extra length onto the wired strip using the plug and screw attachment.



Step 4

Peel the adhesive and mount to the desired surface. If extra support is needed use the plastic brackets included in the packaging.