

D900+.DUO Curve LED downlight Datasheet

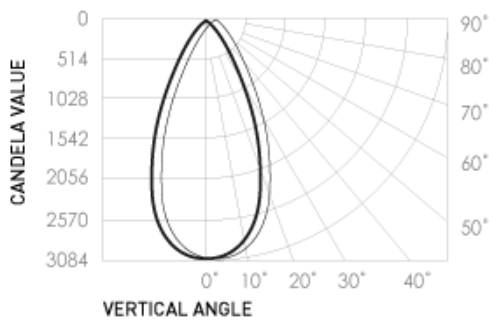


Product codes

Unit:	Series:	Colour temp.:	Beam angle (°):	Colour:
D900+.DUO	CR	1.8K.3.1K	20	B (Black)
		2.7K	20	W (White)
		2.8K.5.8K	35	
		3K	35	
		4K	55	

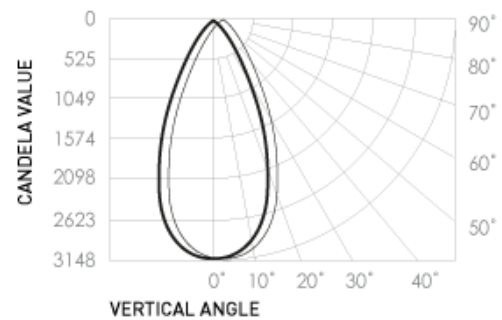
Photometrics

Standard Products



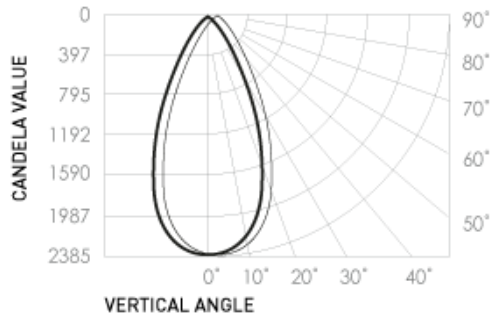
Source lumen output: 2380lm
 Delivered lumen: 1940lm
 Efficacy: 73lm/W
 Colour temp.: 3000K
 Beam angle: 55°

Standard Deviation of colour matching (SDCM): 0MacAdams Steps



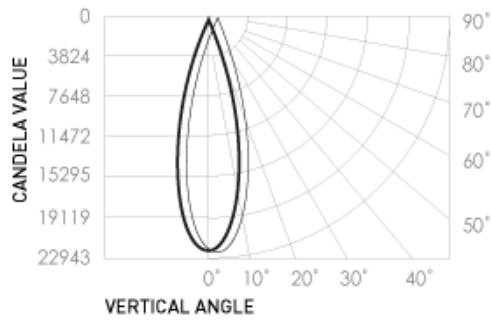
Source lumen output: 2430lm
 Delivered lumen: 1980lm
 Efficacy: 74lm/W
 Colour temp.: 4000K
 Beam angle: 55°

Standard Deviation of colour matching (SDCM): 0MacAdams Steps

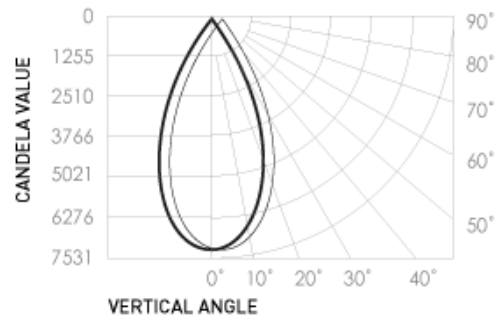


Source lumen output: 1840lm
 Delivered lumen: 1500lm
 Efficacy: 56lm/W
 Colour temp.: 1.8K-3.1K (Night Shift)
 Beam angle: 55°
 Standard Deviation of colour matching (SDCM): 0MacAdams Steps

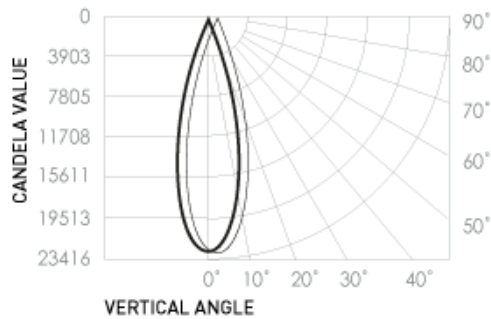
Special Order Products



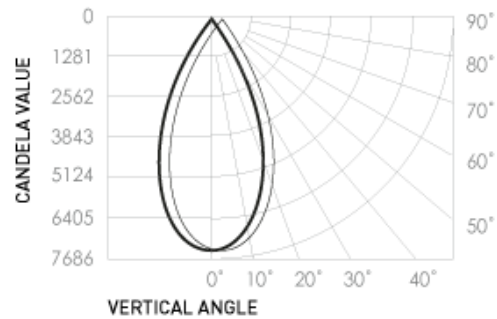
Source lumen output: 2380lm
 Delivered lumen: 1940lm
 Efficacy: 73lm/W
 Colour temp.: 3000K
 Beam angle: 20 (Special Order)°
 Standard Deviation of colour matching (SDCM): 0MacAdams Steps



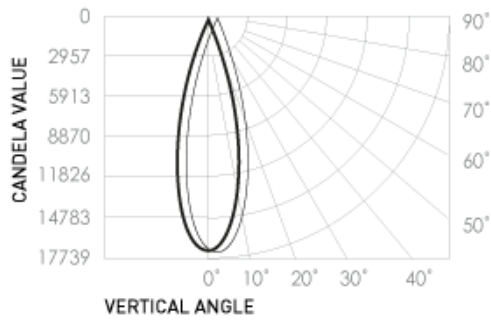
Source lumen output: 2380lm
 Delivered lumen: 1940lm
 Efficacy: 73lm/W
 Colour temp.: 3000K
 Beam angle: 35 (Special Order)°
 Standard Deviation of colour matching (SDCM): 0MacAdams Steps



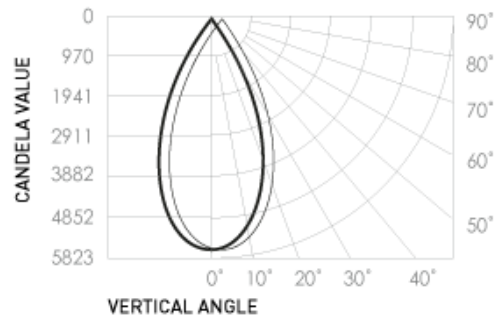
Source lumen output: 2430lm
 Delivered lumen: 1980lm
 Efficacy: 74lm/W
 Colour temp.: 4000K
 Beam angle: 20 (Special Order)°
 Standard Deviation of colour matching (SDCM): 0MacAdams Steps



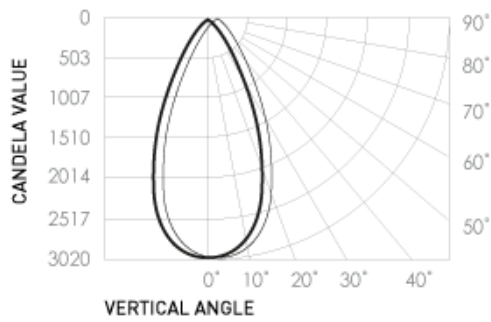
Source lumen output: 2430lm
 Delivered lumen: 1980lm
 Efficacy: 74lm/W
 Colour temp.: 4000K
 Beam angle: 35 (Special Order)°
 Standard Deviation of colour matching (SDCM): 0MacAdams Steps



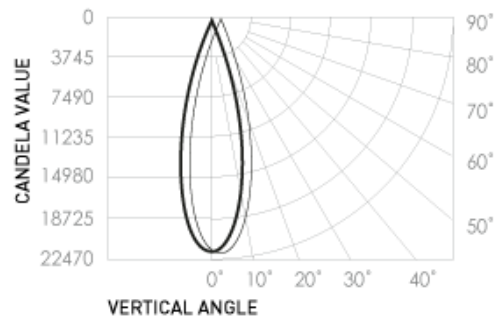
Source lumen output: 1840lm
 Delivered lumen: 1500lm
 Efficacy: 56lm/W
 Colour temp.: 1.8K-3.1K (Night Shift)
 Beam angle: 20 (Special Order)^o
 Standard Deviation of colour matching (SDCM): 0MacAdams Steps



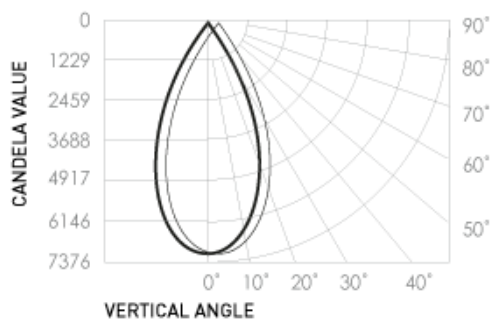
Source lumen output: 1840lm
 Delivered lumen: 1500lm
 Efficacy: 56lm/W
 Colour temp.: 1.8K-3.1K (Night Shift)
 Beam angle: 35 (Special Order)^o
 Standard Deviation of colour matching (SDCM): 0MacAdams Steps



Source lumen output: 2335lm
 Delivered lumen: 1900lm
 Efficacy: 71lm/W
 Colour temp.: 2700K (Special Order)
 Beam angle: 55^o
 Standard Deviation of colour matching (SDCM): 0MacAdams Steps



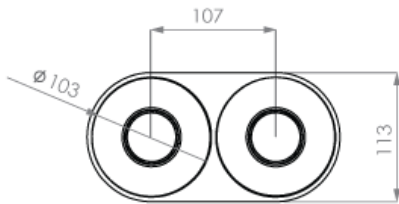
Source lumen output: 2335lm
 Delivered lumen: 1900lm
 Efficacy: 71lm/W
 Colour temp.: 2700K (Special Order)
 Beam angle: 20 (Special Order)^o
 Standard Deviation of colour matching (SDCM): 0MacAdams Steps



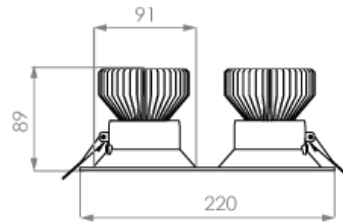
Source lumen output: 2335lm
 Delivered lumen: 1900lm
 Efficacy: 71lm/W
 Colour temp.: 2700K (Special Order)
 Beam angle: 35 (Special Order)^o
 Standard Deviation of colour matching (SDCM): 0MacAdams Steps

Dimensions (mm)

Front view



Side view



Electrical

Input voltage: 220-240V	Power usage: 26.6W	Driver power factor: 0.9	IP rating: IP44	Surge protection: Yes
AC Cable length: 1.2m	Dimmable: Yes	Driver: BG-010BSD-235mA	DC Cable Length: 0.3m	

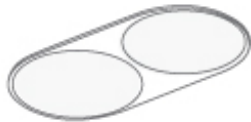
Operational

Average temp.: 65°C	Ambient temp.: -28 to 60°C	Lifetime L70, B10: 70,000 hrs (@TA25)	Thermal rating: IC	Source Lumens: 2380lm or 2430lm or 1840lm or 2335lm or 2840lm
-------------------------------	--------------------------------------	---	------------------------------	---

Physical

Gimbal angle: Universal	Warranty: 7 years	Outer Body: Black Outer	Version: 1.0	Filters: Amber
Fascia Size: 108	Filter size: 100			

Installation



Step 1

Using the Duo fascia plate as guide, trace the hole cut-outs in the desired position.



Step 2

Use a 92mm holesaw to cut each of the traced holes.

Installation



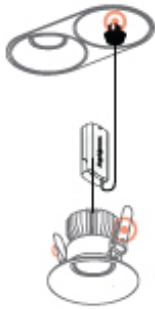
Step 3

To hold the plate into the ceiling, pull back the spring of one luminaire and insert it into the plate.



Step 4

Plug its driver to the mains socket then pull the springs up and insert the luminaire into the hole cavity.



Step 5

With the plate in position, plug in the remaining driver and insert the luminaire into the remaining hole cavity.



Step 6

Installation now complete.