

D900 Linear LED downlight

Datasheet

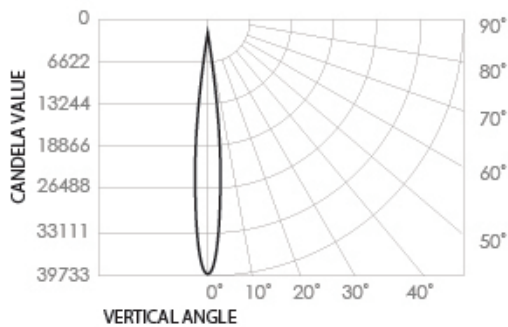


Product codes

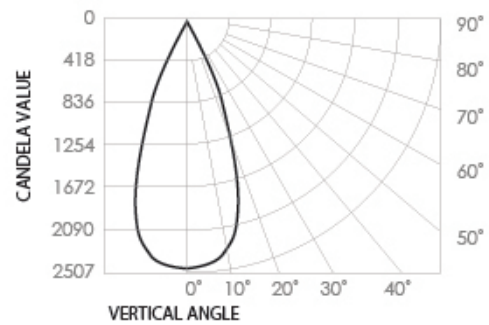
Unit:	Series:	Colour temp.:	Beam angle (°):	Colour:
D900	LN	2.7K	10	B (Black)
		3K	40	W (White)
		4K		
		5K		

Photometrics

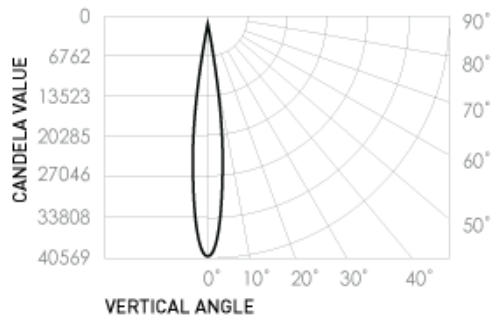
Standard Products



Source lumen output: 1255lm
Delivered lumen: 950lm
Efficacy: 59lm/W
Colour temp.: 3000K
Beam angle: 10°
CRI: 97
Standard Deviation of colour matching (SDCM): 3MacAdams Steps

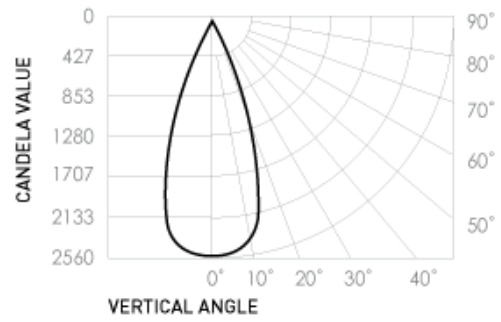


Source lumen output: 1255lm
Delivered lumen: 950lm
Efficacy: 59lm/W
Colour temp.: 3000K
Beam angle: 40°
CRI: 97
Standard Deviation of colour matching (SDCM): 3MacAdams Steps



Source lumen output: 1280lm
 Delivered lumen: 970lm
 Efficacy: 61lm/W
 Colour temp.: 4000K
 Beam angle: 10°
 CRI: 97

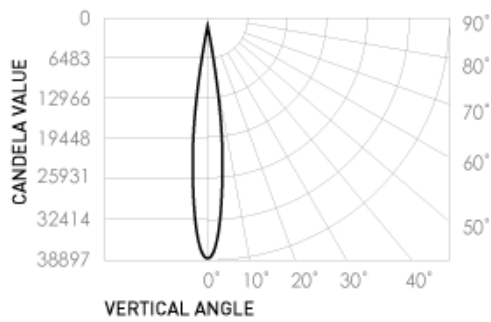
Standard Deviation of colour matching (SDCM): 3MacAdams Steps



Source lumen output: 1280lm
 Delivered lumen: 970lm
 Efficacy: 61lm/W
 Colour temp.: 4000K
 Beam angle: 40°
 CRI: 97

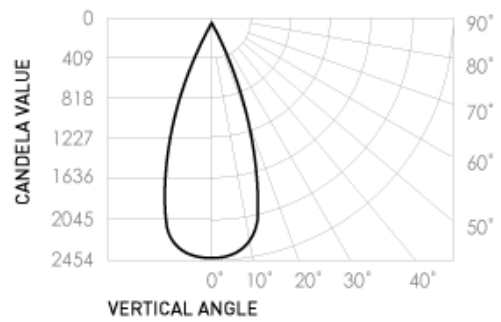
Standard Deviation of colour matching (SDCM): 3MacAdams Steps

Special Order Products



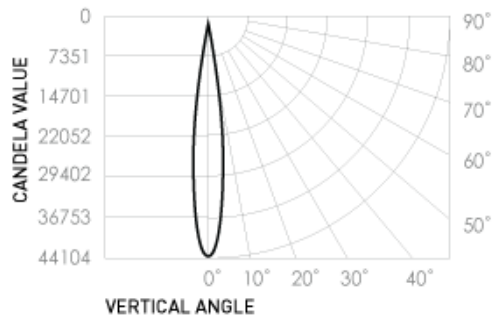
Source lumen output: 1230lm
 Delivered lumen: 930lm
 Efficacy: 58lm/W
 Colour temp.: 2700K (Special Order)
 Beam angle: 10°
 CRI: 97

Standard Deviation of colour matching (SDCM): 3MacAdams Steps

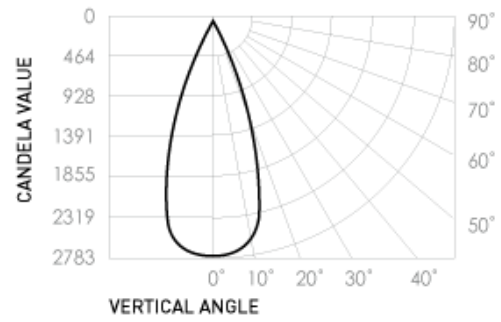


Source lumen output: 1230lm
 Delivered lumen: 930lm
 Efficacy: 58lm/W
 Colour temp.: 2700K (Special Order)
 Beam angle: 40°
 CRI: 97

Standard Deviation of colour matching (SDCM): 3MacAdams Steps



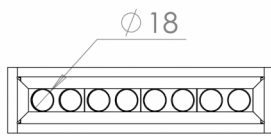
Source lumen output: 1395lm
 Delivered lumen: 1055lm
 Efficacy: 66lm/W
 Colour temp.: 5000K (Special Order)
 Beam angle: 10°
 CRI: 97
 Standard Deviation of colour matching (SDCM): 3MacAdams Steps



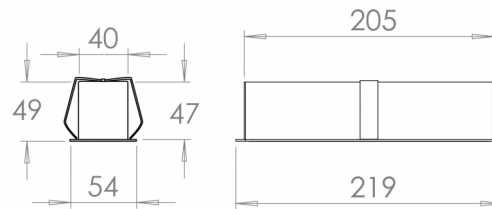
Source lumen output: 1395lm
 Delivered lumen: 1055lm
 Efficacy: 66lm/W
 Colour temp.: 5000K (Special Order)
 Beam angle: 40°
 CRI: 97
 Standard Deviation of colour matching (SDCM): 3MacAdams Steps

Dimensions (mm)

Front view



Side view



Electrical

Input voltage: 220-240V	Power usage: 16W	Driver power factor: >0.9	IP rating: IP44	Surge protection: 3100V
Dimmable: Yes	Driver: BG-017BSD-600mA	Driver for Pro-LN: SMART	DC Cable Length: 0.3m	

Operational

Average temp.: 60°C	Ambient temp.: -28 to 55°C	Lifetime L70, B10: 50,000 hrs (@TA25)	Thermal rating: IC-4	Source Lumens: 1255lm or 1280lm or 1230lm or 1395lm
SDCM: 3MacAdam Steps				

Physical

Warranty: 7 years	Version: 2.0
-----------------------------	------------------------

Compatibility

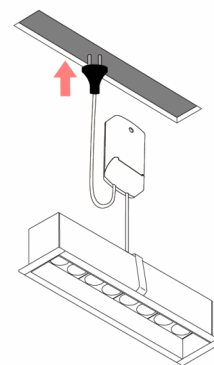
Recommended Dimmers:
"Compatible with leading home automation systems and dimmers.
Recommended Dimmers:
Universal, Trailing Edge, Leading Edge.
Dali option available on request

*For more details please refer to:
<https://brightgreen.com/digital-driver>
All systems are unique, please
call 1300 672 499 for advice on your installation."

Installation

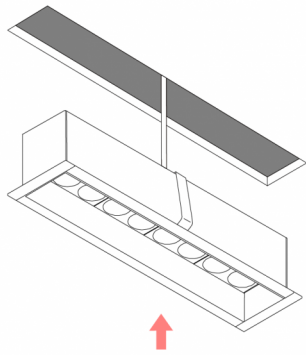


Step 1
Using a router or jigsaw, cut out a 45x205mm hole in the ceiling at the desired location.

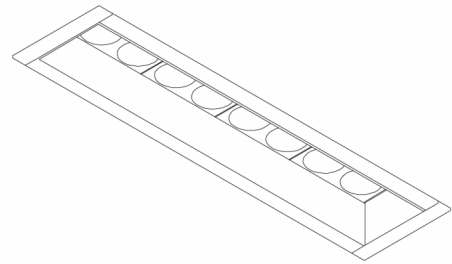


Step 2
Plug the driver into a mounted general power outlet (GPO) in the ceiling.

Installation



Step 3
Push the luminaire into the ceiling cavity.



Step 4
Installation complete.