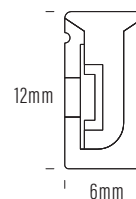
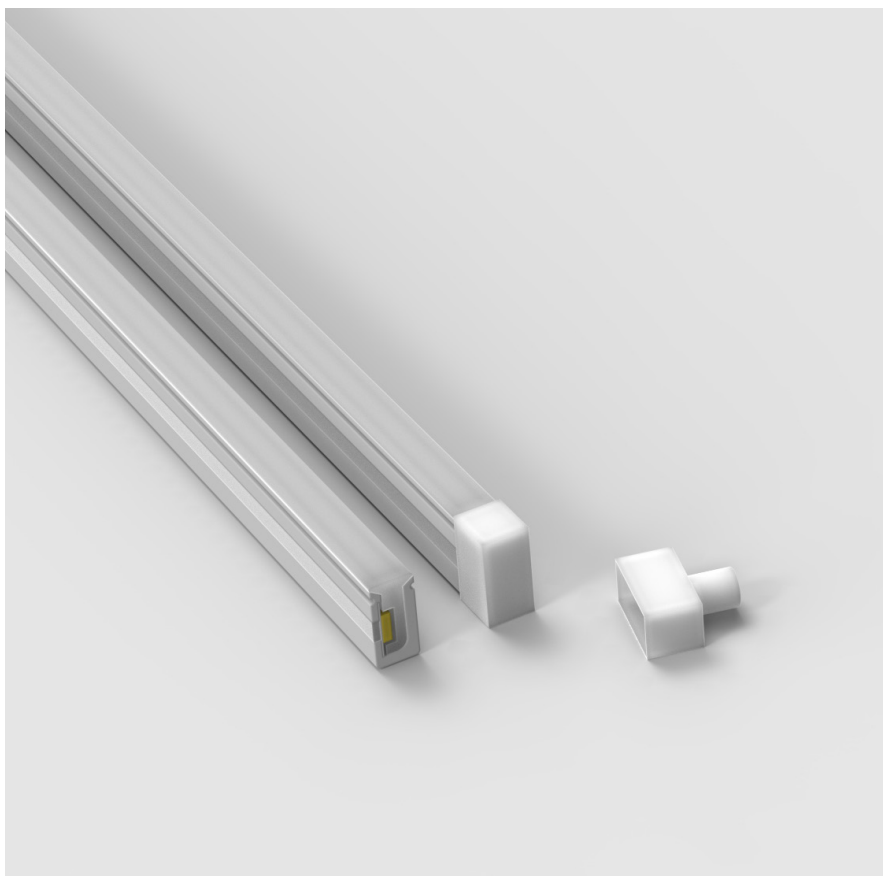


# Neon Flex



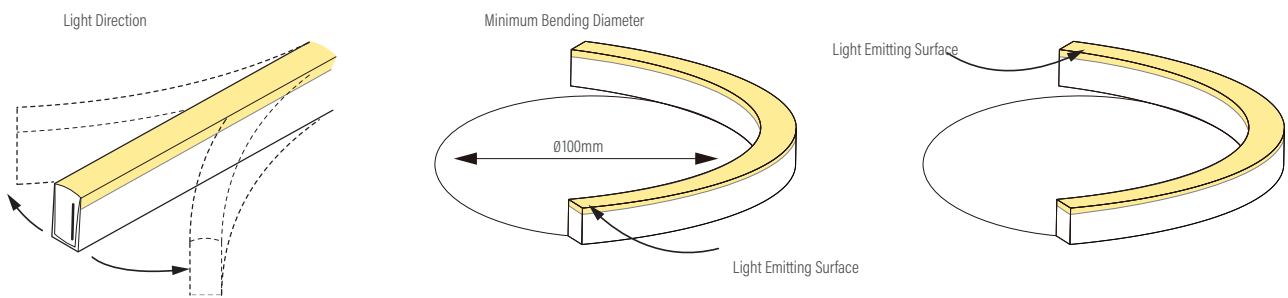
Voltage	24V DC
Watts (per Meter)	5W / 10W
IP Rating	IP67
Lumen Output (per Meter)	154lm to 380lm
CCT & Colour Options	2700K / 3000K / 4000K / 5000K
Working Mode	Constant Voltage (PWM) / DMX
Max Length (Single Power Feed)	10m
Max Length (Double Power Feed)	20m
Cut Interval	50mm
Bend Direction	Horizontally
Minimum Bend Diameter	100mm
LED Type	SMD2835
LED Qty / M	120pcs
Lumen Maintenance	70,000 Hours L70@ 25°C, 50,000 Hours L70@ 50°C
Materials	Silicone
Emission Angle	120°
Operating Temperature	-20° to +40°C
Installation Temperature	5° to +35°C
Warranty	3 Year

# Neon Flex

## Variations

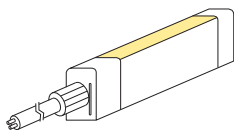
CCT Kelvin	Voltage Direct Current	Watts Meter	Lumens Meter	Min Run Single End	Max Run Double End
2700K	24V DC	5W	154lm	10m	20m
2700K	24V DC	10W	299lm	10m	20m
3000K	24V DC	5W	178lm	10m	20m
3000K	24V DC	10W	353lm	10m	20m
4000K	24V DC	10W	360lm	10m	20m
5000K	24V DC	10W	380lm	10m	20m

### Bending Directions



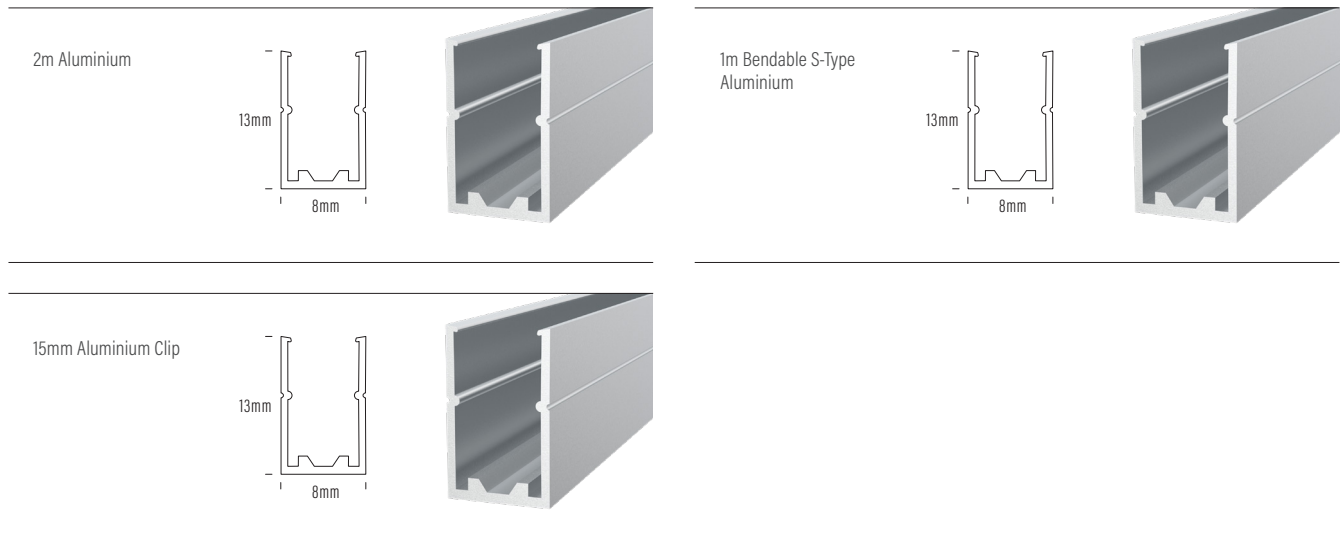
### Entry Types

**D01**



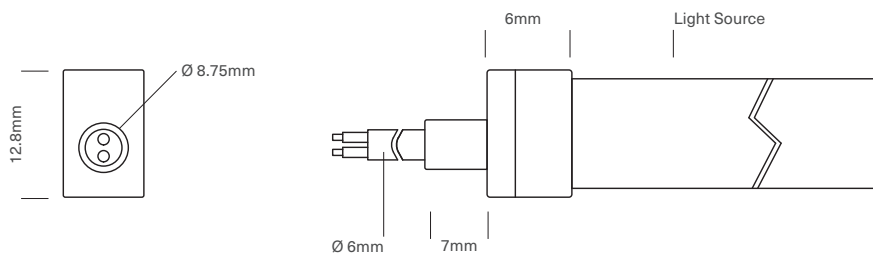
# Neon Flex

## Mounting



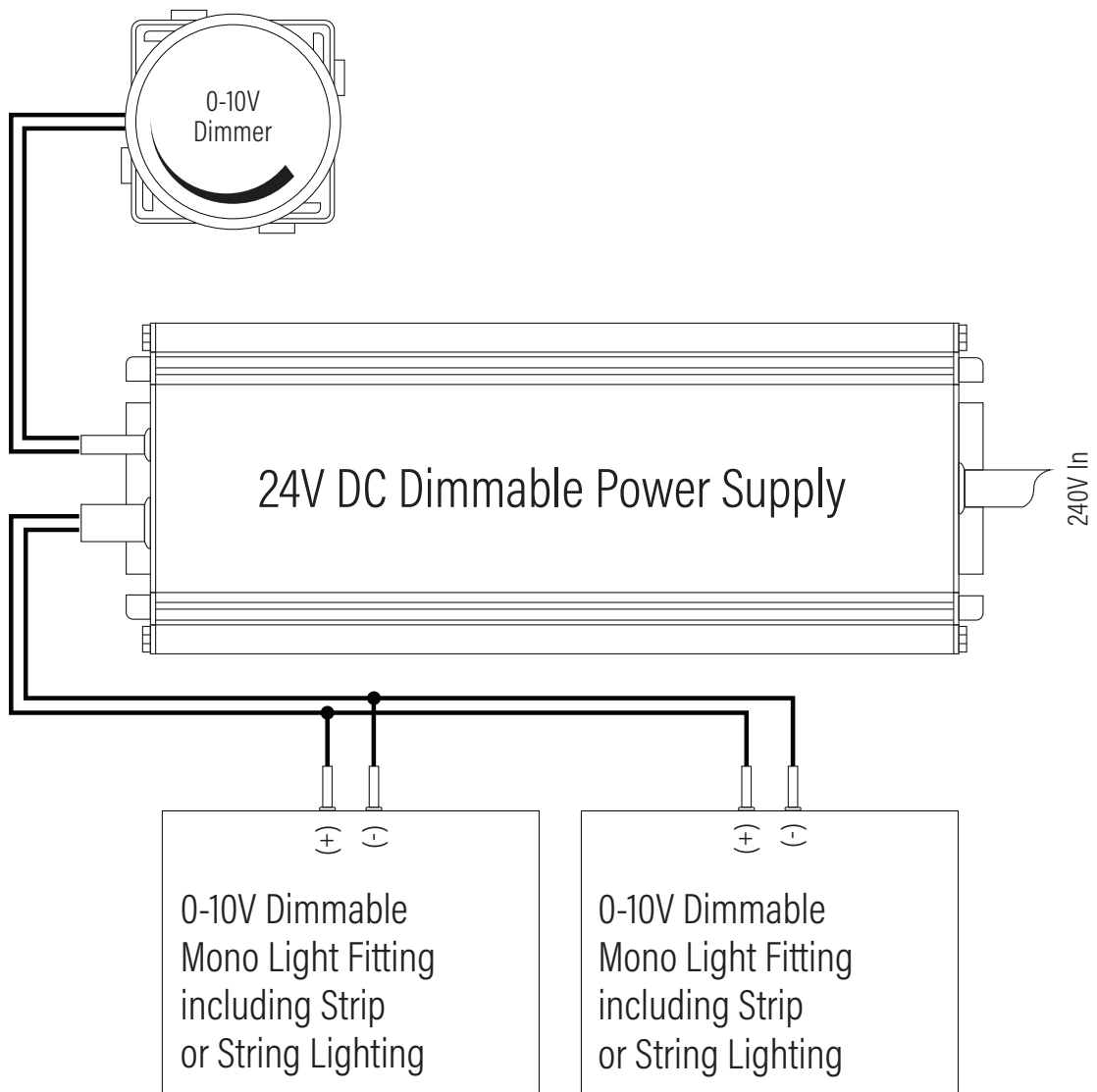
## Injection Moulded Connectors Dimensions

### Direct Cable Entry



# Wiring Diagram

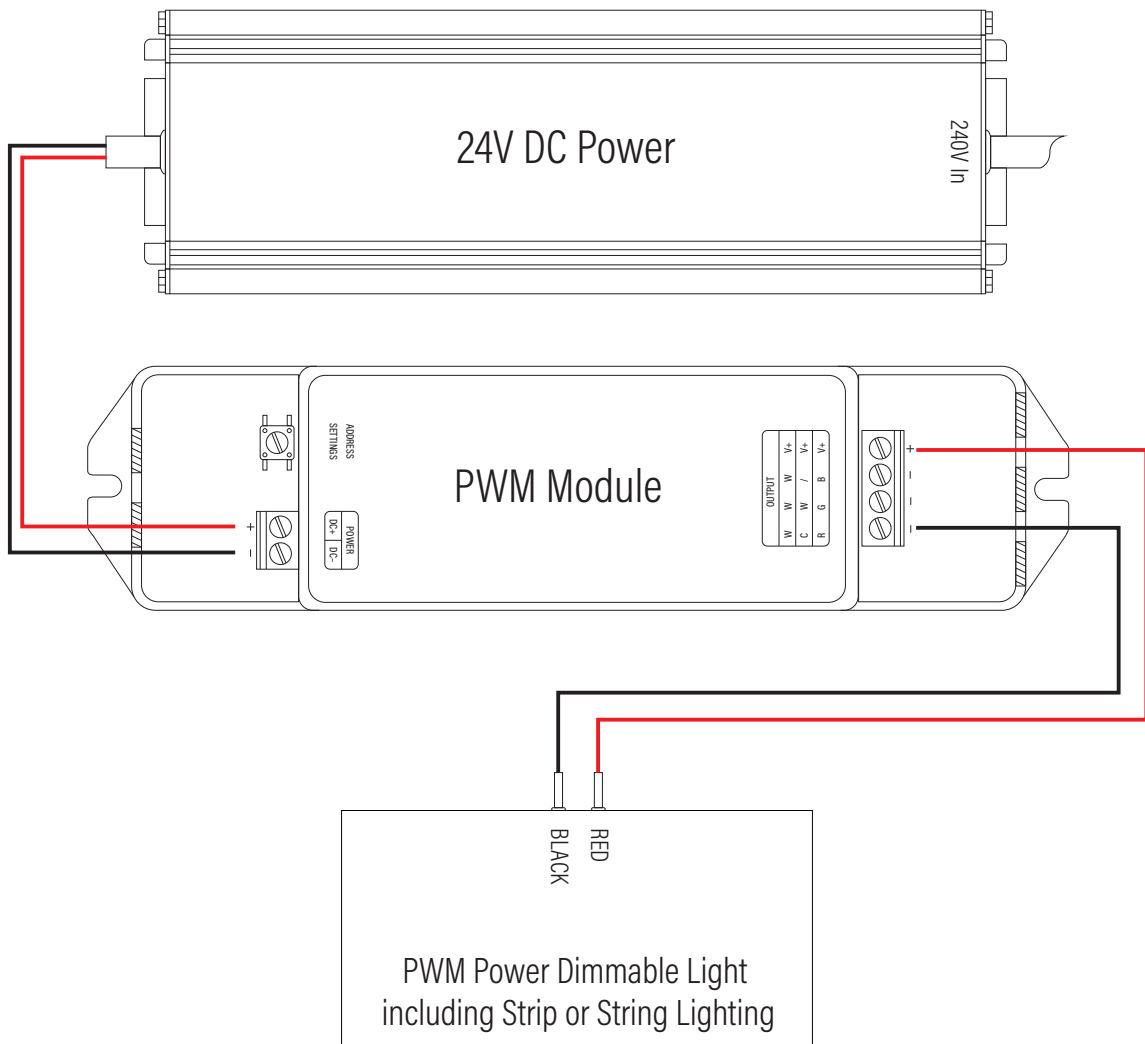
2 Wire Fitting - 1-10V DC



2 Fitting Example only

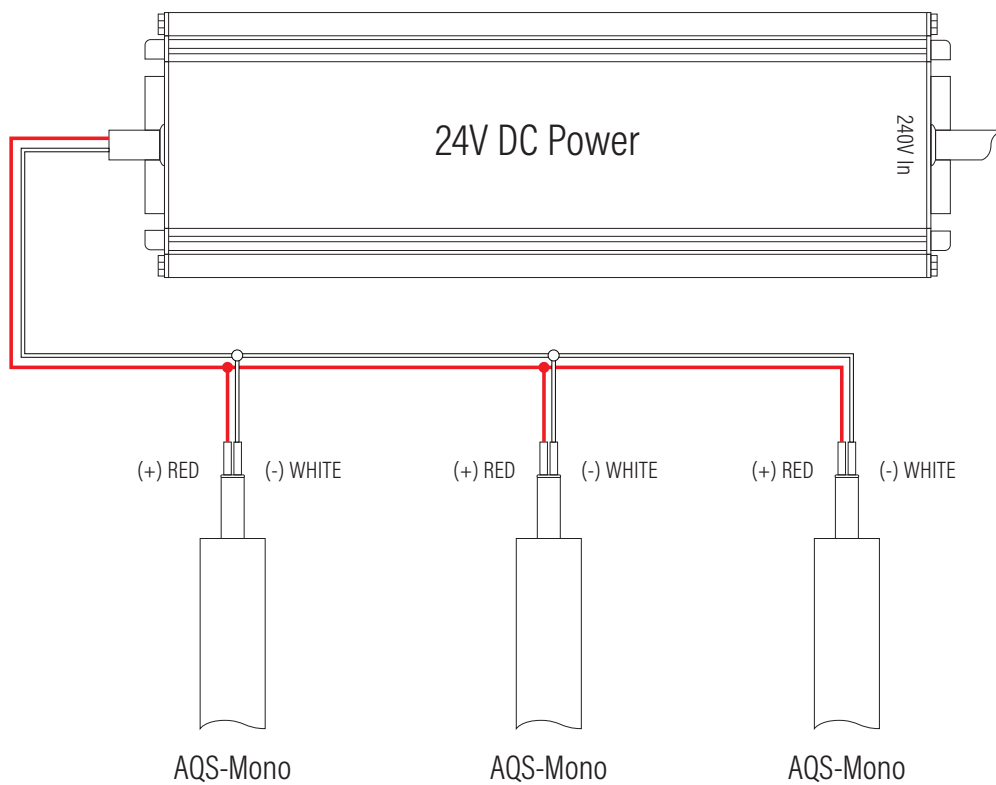
# Wiring Diagram

2 Wire Fitting - 24V DC



## Wiring Diagram

2 Wire Fitting - 24V DC

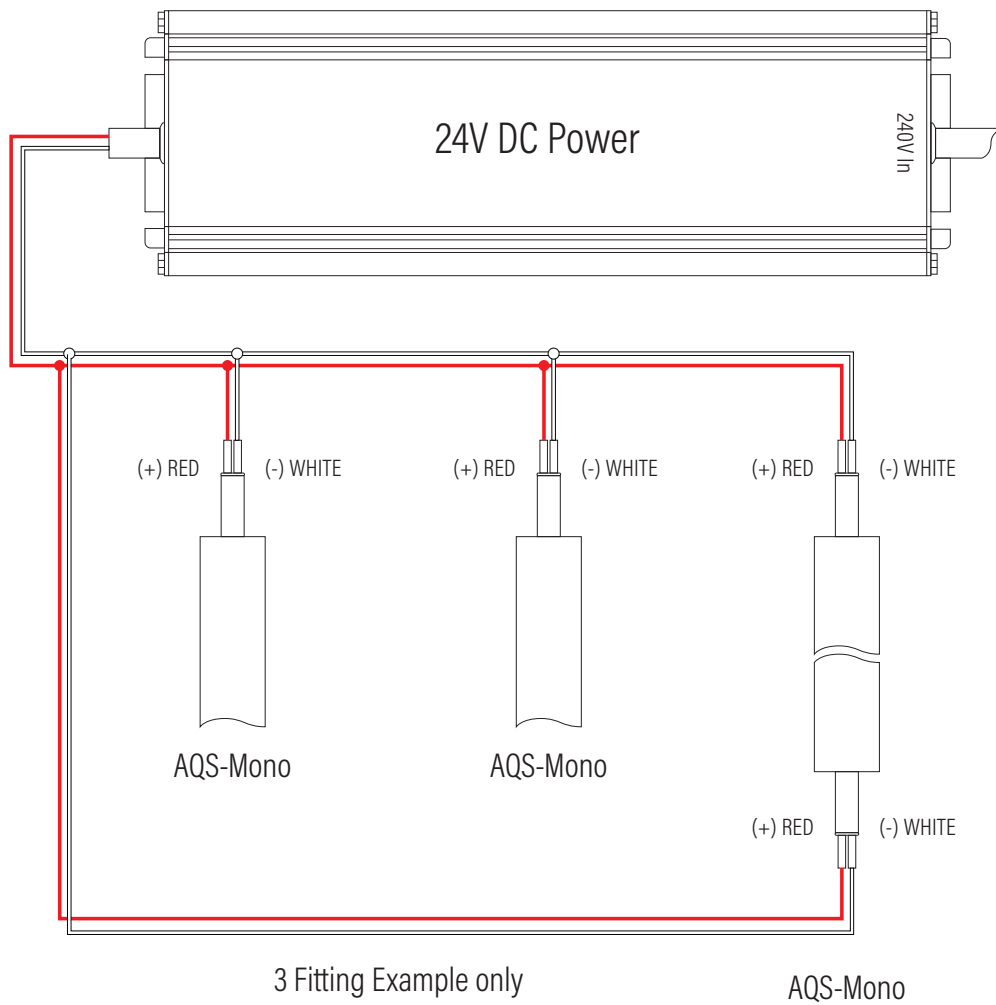


3 Fitting Example only

For Mono AQS-400, AQS-401, AQS-402 and AQS-420 Neon Flex. Wired in Parallel.  
Single end feed with a maximum: AQS-400 = 8 meter run / AQS-401 = 5 meter run  
AQS-402 = 10 meter run / AQS-420 = 10 meter run.

# Wiring Diagram

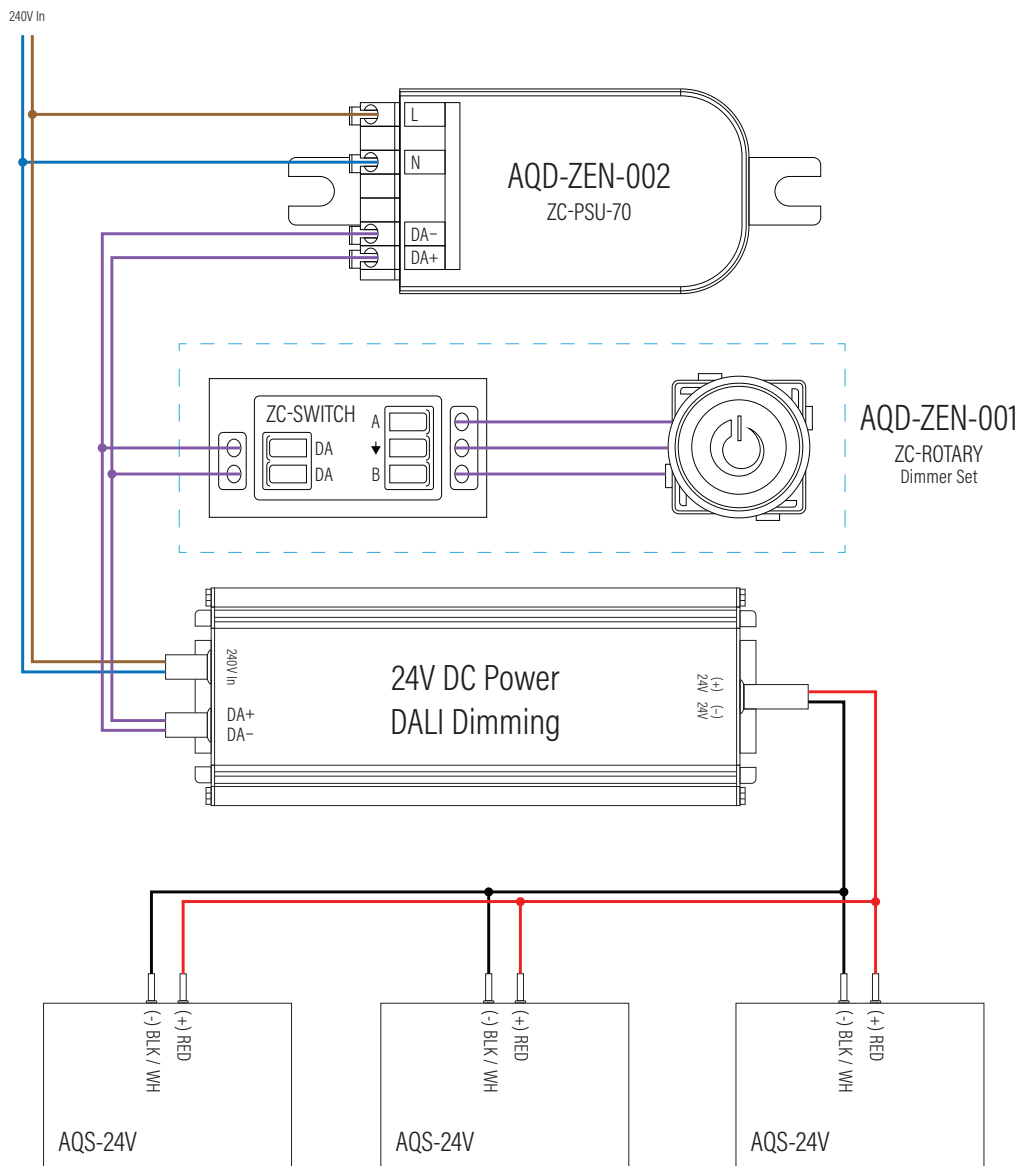
2 Wire Fitting - 24V DC - Both tails must go back to same transformer



For Mono AQS-400, AQS-401, AQS-402 and AQS-420 Neon Flex. Wired in Parallel.  
 Double end feed with a maximum: AQS-400 = 16 meter run / AQS-401 = 10 meter run  
 AQS-402 = 20 meter run / AQS-420 = 20 meter run.

# Wiring Diagram

2 Wire Fitting - Standalone Dali Dimming (Broadcast Mode) - 24V DC



3 Fitting Example only

Dali dimming for mono fittings with 3 wire cable.