

T550.H Curve LED downlight

Datasheet

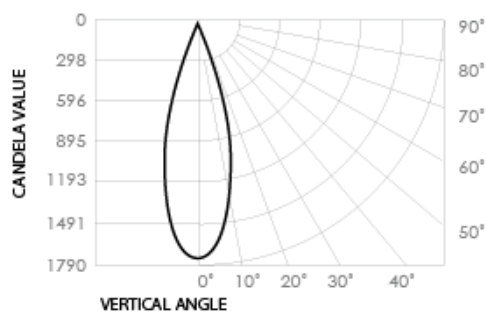


Product codes

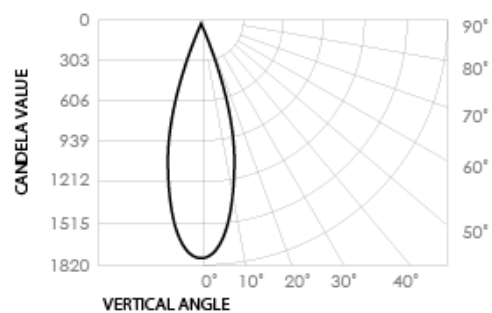
Unit: T550.H	Series: CR	Base type: E3 H1	Colour temp.: 2.7K 3K 4K 5K	Beam angle (°): 36	Colour: B (Black) W (White)
------------------------	----------------------	-------------------------------	--	------------------------------	--

Photometrics

Standard Products

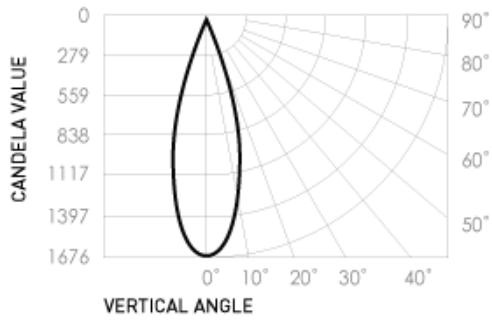


Source lumen output: 670lm
 Delivered lumen: 550lm
 Efficacy: 65lm/W
 Colour temp.: 3000K
 Beam angle: 36°
 Standard Deviation of colour matching (SDCM): 0MacAdams Steps

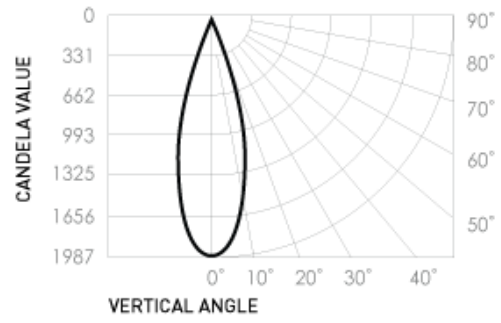


Source lumen output: 685lm
 Delivered lumen: 560lm
 Efficacy: 66lm/W
 Colour temp.: 4000K
 Beam angle: 36°
 Standard Deviation of colour matching (SDCM): 0MacAdams Steps

Special Order Products



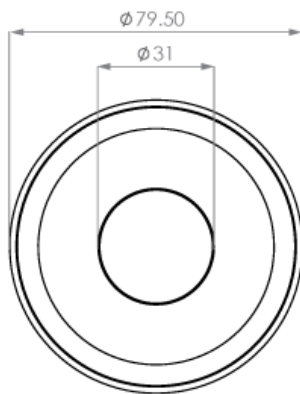
Source lumen output: 630lm
 Delivered lumen: 515lm
 Efficacy: 61lm/W
 Colour temp.: 2700K (Special Order)
 Beam angle: 36°
 Standard Deviation of colour matching (SDCM): 0MacAdams Steps



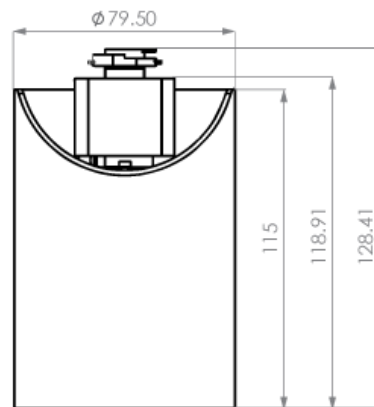
Source lumen output: 745lm
 Delivered lumen: 610lm
 Efficacy: 72lm/W
 Colour temp.: 5000K (Special Order)
 Beam angle: 36°
 Standard Deviation of colour matching (SDCM): 0MacAdams Steps

Dimensions (mm)

Front view



Side view



Electrical

Input voltage: 220-240V	Power usage: 8.5W	Driver power factor: 0.77	IP rating: IP44	Surge protection: 3100V
AC Cable length: N/Am	Dimmable: Yes	Driver: BG-DRV:A-550/8		

Operational

Operating temp.: -30 to 70°C	Average temp.: 70°C	Ambient temp.: -28 to 60°C	Lifetime L70, B10: 70,000 hrs (@TA25)	Source Lumens: 630lm or 670lm or 685lm or 745lm
--	-------------------------------	--------------------------------------	---	--

Physical

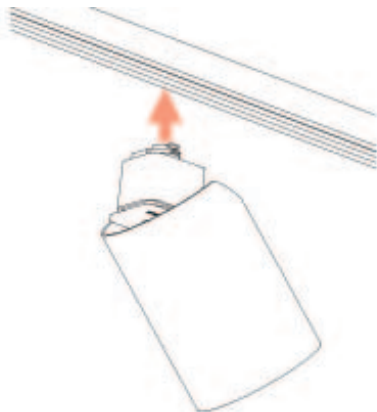
Gimbal angle: 90°/360°	Warranty: 7 years	Type: H-Track or Eurotrack
----------------------------------	-----------------------------	--------------------------------------

Compatibility

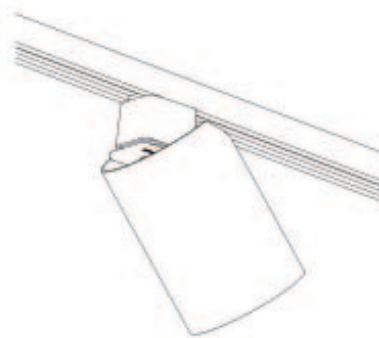
Recommended Dimmers:
"Compatible with leading home automation systems and dimmers.
Recommended Dimmers:
Universal, Trailing Edge, Leading Edge.

*For more details please refer to:
<https://brightgreen.com/digital-driver>
All systems are unique, please
call 1300 672 499 for advice on your installation."

Installation

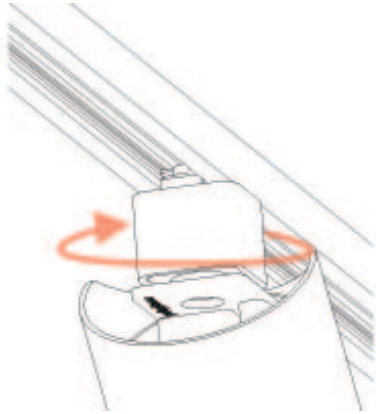


Step 1
Align the T550.H track connector with the track



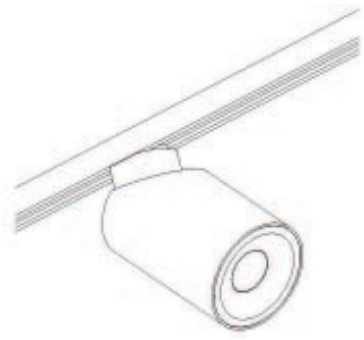
Step 2
Insert the fitting into the track channel.

Installation



Step 3

Twist the track base in order to lock the fitting into the track channel. The direction of the twist is dependent on where the contact points are in the track.



Step 4

Once the light is locked into the track, orient the luminaire to focus the light as required.