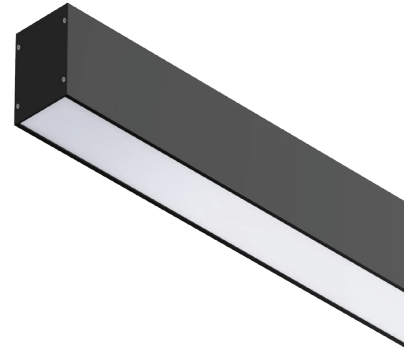


S40.M Custom Linear LED Surface Datasheet



Product codes

Product name:	Shape:	Length:	Family:	Circuit Wattage:	Beam Angle:	Outer Body:	Version:	Driver:
S40.M.	-- (straight)	0.5m.	LN-	20Wm- (20W/m)	DF180-	W- (White)	1.0-	ND (Non-dimmable)
	L-	1.0m.		30Wm- (30W/m)		B- (Black)		DALI (DALI)
	U-	1.5m.				S- (Silver)		010V (0-10V)
	R- (Rectangle)	2.0m.						
	S- (Square)	2.5m.						
		3.0m.						
		xx (Custom)						

Photometrics

CCT: 3000K

Efficacy: 90lm/W

Delivered lumen output

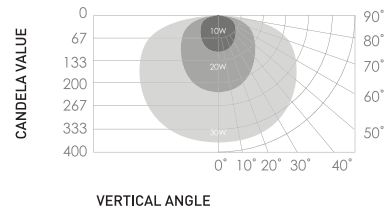
20W/m: 1800lm/m

30W/m: 2700lm/m

CRI: 90+

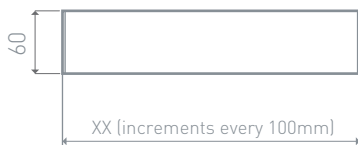
Standard deviation of colour Matching (SDCM): 3 MacAdam steps

Beam angle: DF180°



Dimensions (mm)

Front view



Side view



Electrical

Dimmable: Yes	Power Usage: 20W/m; 30W/m	Driver power factor: >0.9	Input voltage: 220-265V
IP rating: IP20	Surge protection: 3100V		

Operational

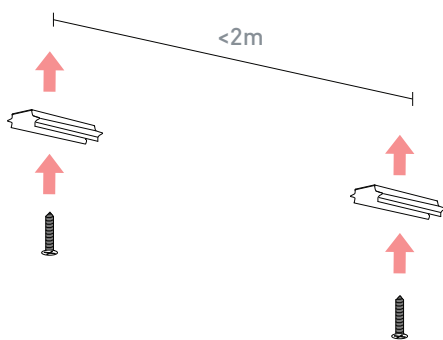
Operating temp.: -30 to 85°C	Ambient temp.: -28 to 55°C	Lifetime L70: 20W= 80,000hrs 30W= 50,000hrs	Warranty: 5 years of luminaire warranty & 5 years of driver warranty
--	--------------------------------------	--	---

Compatibility

Dimming:
Non-Dimmable (ND)
DALI (DALI)
0-10V (010V)

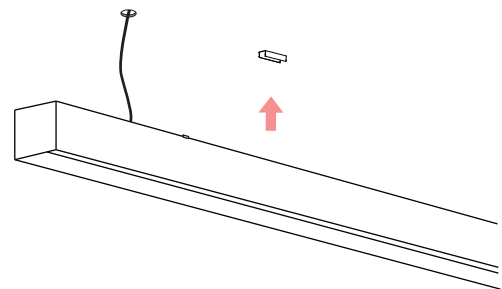
Note: For RGBW, Non-dimmable drivers are not applicable

Installation



Step 1

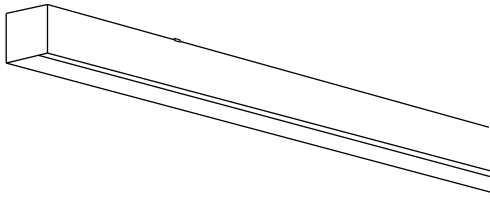
Ensure a ceiling mount clips will be mounted at either end of the profile. Max gap between suspension points should be <math><2\text{m}</math>, example 3m length uses 3 ceiling mount clips.



Step 2

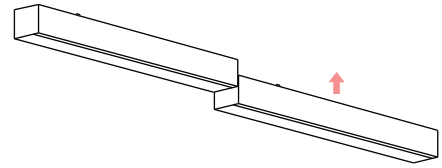
Fasten the brackets to the ceiling using the provided mounting screws and snap the luminaire on to the brackets.

Installation



Step 3

Installation complete.

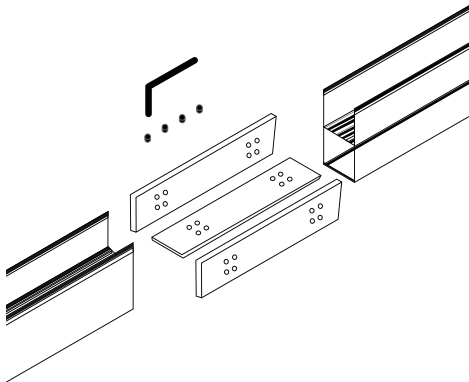


Step 4 (Optional)

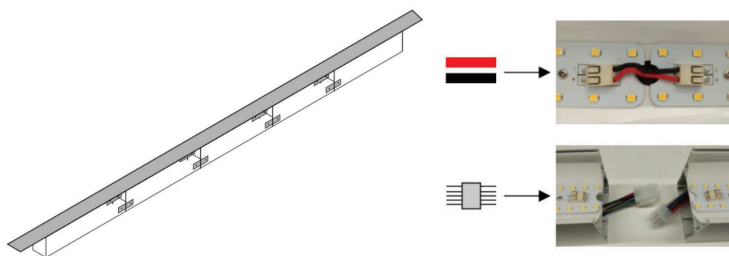
For length >3m repeat step 1 and 2 to create final length.

Connecting Multiple Parts

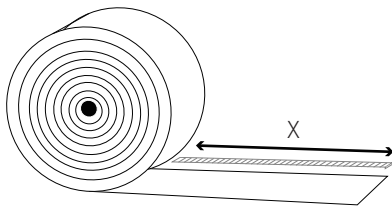
1. Screw the metal plates inside the profile



2. Connect the wires together. Use image below.

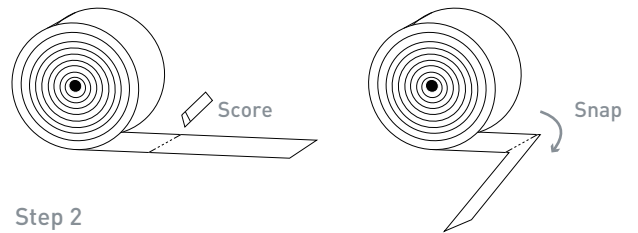


Applying Diffuser



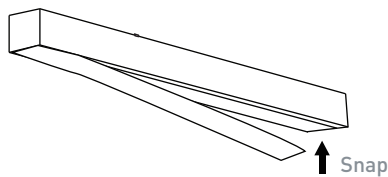
Step 1

Measure the inside length of the assembled profile and measure the diffuser length to match.



Step 2

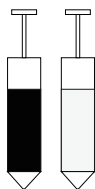
To cut the diffuser score it with a knife and then snap it at the point scored



Step 3

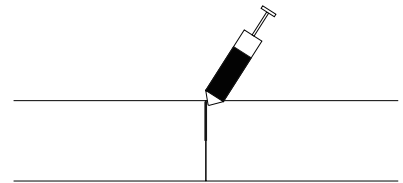
Starting at one end snap the diffuser into the linear profile. Start with having one side located in place and snap the other side in. Do this going down the whole length of the light.

Applying Silicon in Joints



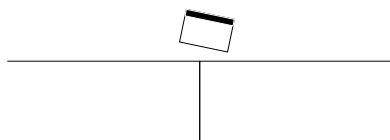
Step 1

Use syringe of silicon provided. Black for joints in the profile, and clear for any gaps in the diffuser.



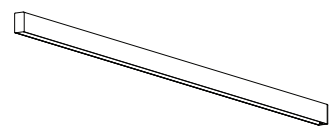
Step 2

Apply along edge of joint.



Step 3

Use a flat scraper, card or blade to remove excess and so the surface is flat and smooth.



Step 4

Finish.