

D900.SH.CL Curve LED Downlight

Datasheet



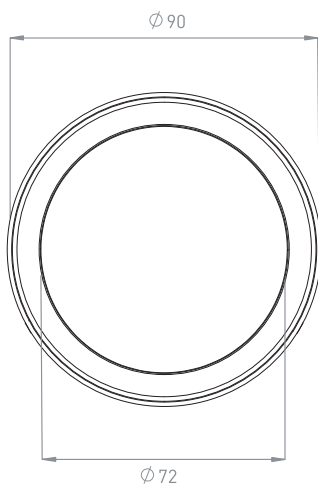
TRU-COLOUR®

Product Codes

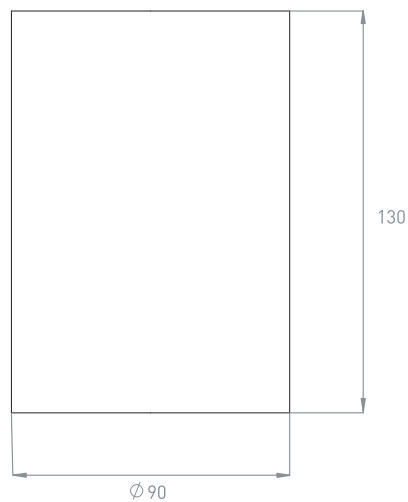
Unit: D900.SH.CL	Series: CR	Colour temp. (K): 2.8K (2800K) 3K (3000K) 4K (4000K) 6K (6000K) 1.8K.3.1K (1800K-3100K) 2.8K.6K (2800K-6000K)	Beam Angle (°): 11 (Very Narrow) 22 (Narrow) 36 (Medium-Narrow) 44 (Medium) 50 (Standard) 20.WWW (Wall wash wide) WWN (Wall wash narrow) 25.BW (Batwing) E35.70 (Elyptical) ULG.55 (Ultra low glare)	Colour: B (Black) W (White)
Control: PH (Phase Dimming) DA (DALI) ZG (ZIGBEE 3.0) CS (CASAMBI) 010 (0-10V)	Generation: 4.0			

Dimensions (mm)

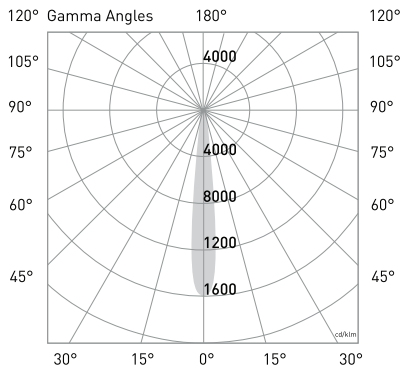
Front view



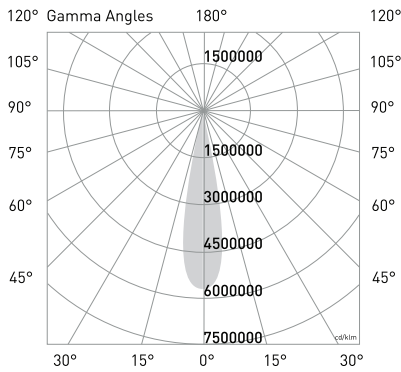
Side view



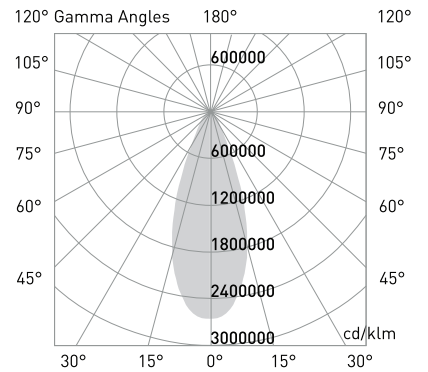
Photometric Diagrams



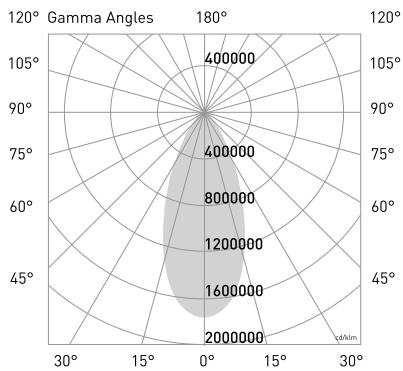
Beam Angle: 11° (Very Narrow)



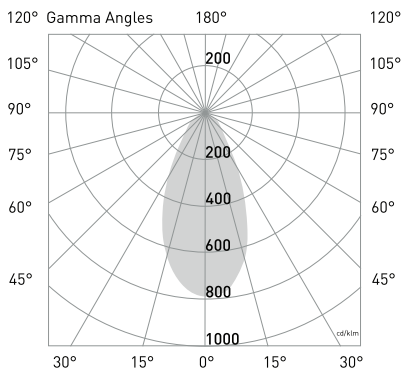
Beam Angle: 22° (Narrow)



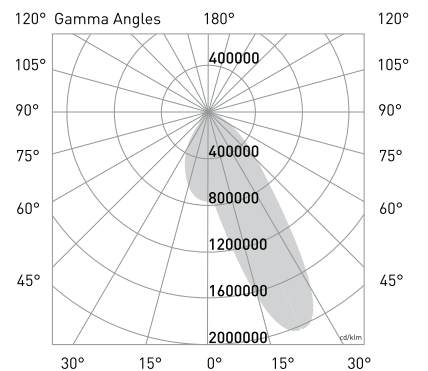
Beam Angle: 36° (Medium-Narrow)



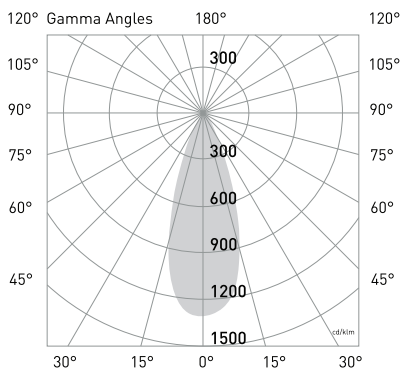
Beam Angle: 44° (Medium)



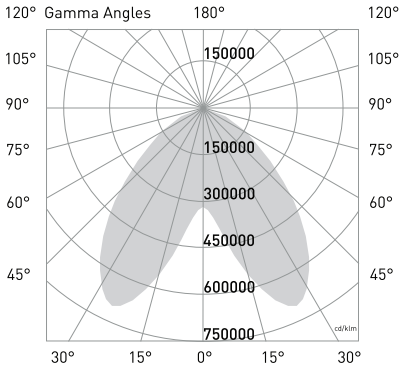
Beam Angle: 50 (Standard)



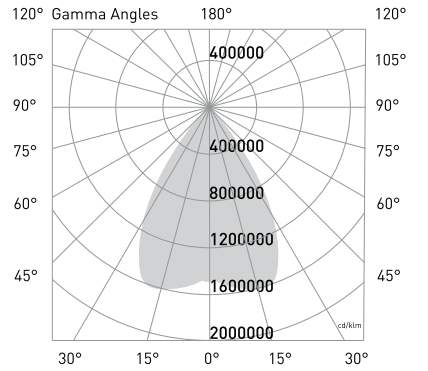
Beam Angle: 20.WWW (Wall wash wide)



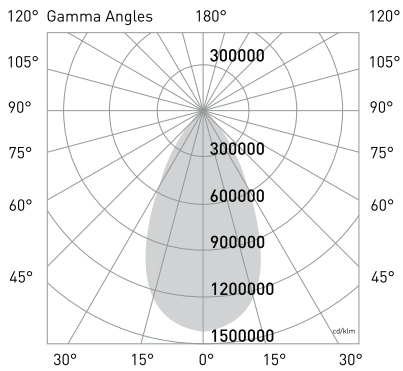
Beam Angle: WWN (Wall wash narrow)



Beam Angle: 25.BW (Batwing)



Beam Angle: E35.70 (Elyptical)



Beam Angle: ULG.55 (Ultra low glare)

CCT Output

CCT: 2800K
Efficacy: 72lm/W
Delivered lumen output: 940lm
CRI: 98
Standard deviation of colour Matching (SDCM): 2 MacAdam steps

CCT: 3000K
Efficacy: 74lm/W
Delivered lumen output: 960lm
CRI: 98
Standard deviation of colour Matching (SDCM): 2 MacAdam steps

CCT: 4000K
Efficacy: 75lm/W
Delivered lumen output: 980lm
CRI: 98
Standard deviation of colour Matching (SDCM): 2 MacAdam steps

CCT: 6000K
Efficacy: 82lm/W
Delivered lumen output: 1065lm
CRI: 98
Standard deviation of colour Matching (SDCM): 2 MacAdam steps

CCT: 1800K-3100K
Efficacy: 74lm/W
Delivered lumen output: 960lm
CRI: 98
Standard deviation of colour Matching (SDCM): 2 MacAdam steps

CCT: 2800K-6000K
Efficacy: 74lm/W
Delivered lumen output: 960lm
CRI: 98
Standard deviation of colour Matching (SDCM): 2 MacAdam steps

Electrical

Input Voltage: 220-265V	Power Usage: 13W	Current: 325mA	Driver Power Factor: >0.9	Dimming: Yes	DC Cable Length: 0.3m	AC Cable Length: 0.6m
-----------------------------------	----------------------------	--------------------------	-------------------------------------	------------------------	---------------------------------	---------------------------------

Note: Dayshift (2.8K,6K) will only work with DALI DT8 or ZIGBEE driver

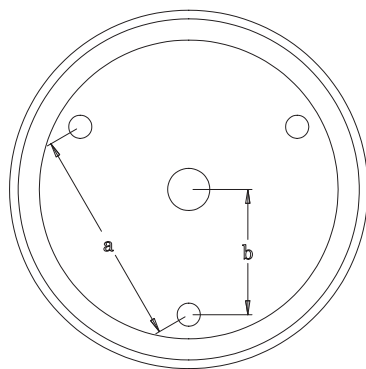
Physical

IP Rating: IP44	IK Rating: IK04
---------------------------	---------------------------

Operational

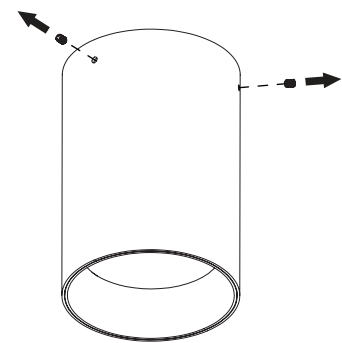
Ambient temp.: -28°C to 60°C	Lifetime: >100,000 hrs	Warranty: 7 Years
--	----------------------------------	-----------------------------

Installation



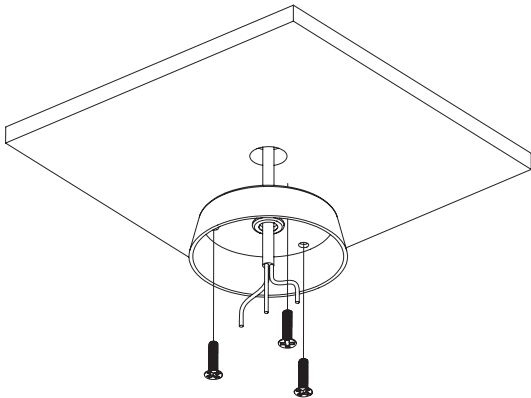
Step 1

Using the base plate as a guide, pilot hole the points where the 3 mounting screws will be drilled in.
a = 51.4mm b = 29.7mm



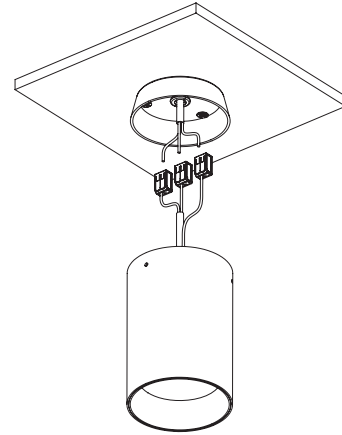
Step 2

Unscrew the 3 grub screws from the side of the product to release the base plate.



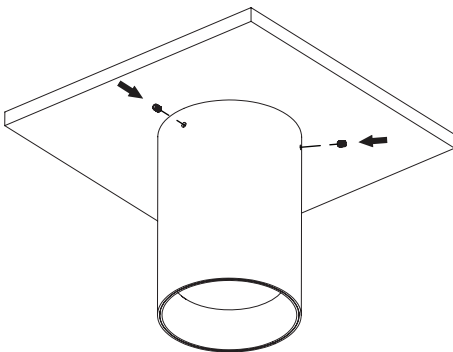
Step 3

Thread the power cable through the base plate and align the base plate to the ceiling. Fasten the base plate to the ceiling using the 3 mounting screws.



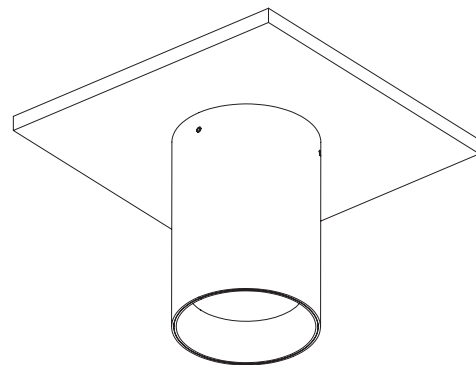
Step 4

Connect the power cable.



Step 5

Ensure the luminaire to the base plate using the grub screws.



Step 6

Installation complete.