

D900.SHX Curve LED downlight

Datasheet

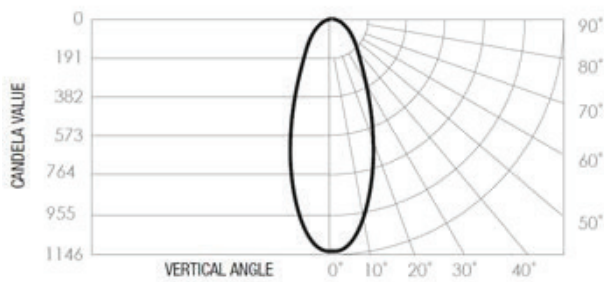


Product codes

Unit:	Series:	Colour temp.:	Beam angle (°):	Colour:	Driver Type:
D900.SHX	CR	1.8K.3.1K	24	B (Black)	- (PHASE)
		2.7K	38	W (White)	DALI (DALI)
		2.8K.5.8K	45		SMART (ZIGBEE 3.0)
		3K	55		CASAMBI (CASAMBI)
		4K			
		5K			

Photometrics

Standard Products



Source lumen output: 1385lm

Delivered lumen: 900lm

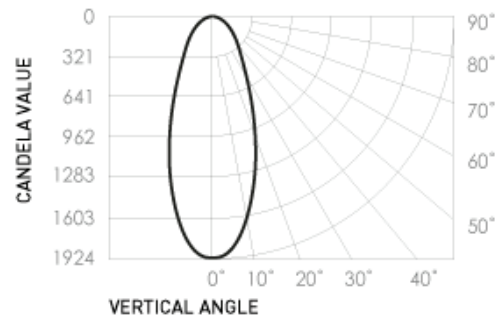
Efficacy: 55lm/W

Colour temp.: 3000K

Beam angle: 45°

CRI: 97

Standard Deviation of colour matching (SDCM): 2MacAdams Steps



Source lumen output: 1415lm

Delivered lumen: 920lm

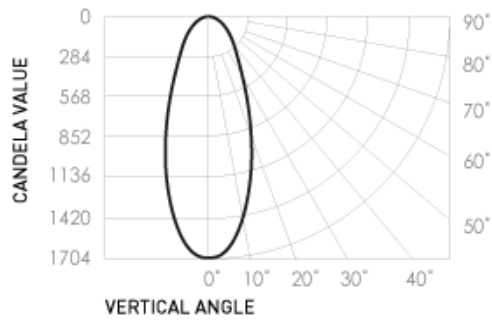
Efficacy: 56lm/W

Colour temp.: 4000K

Beam angle: 45°

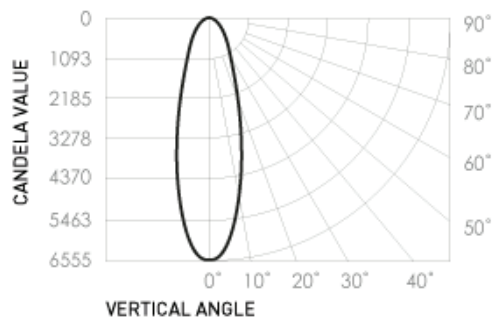
CRI: 97

Standard Deviation of colour matching (SDCM): 2MacAdams Steps

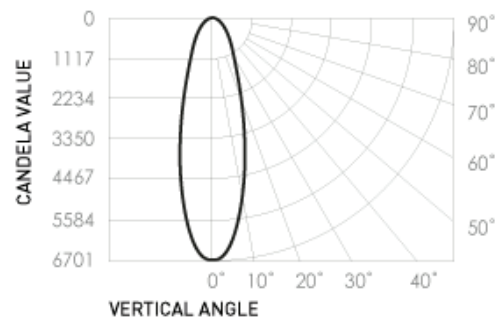


Source lumen output: 870lm
 Delivered lumen: 780lm
 Efficacy: 47lm/W
 Colour temp.: 1.8K-3.1K (Night Shift)
 Beam angle: 45°
 CRI: 97
 Standard Deviation of colour matching (SDCM): 2MacAdams Steps

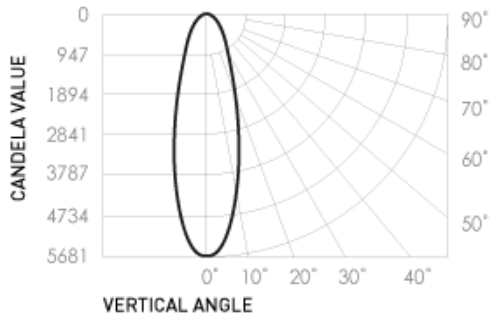
Special Order Products



Source lumen output: 1385lm
 Delivered lumen: 900lm
 Efficacy: 55lm/W
 Colour temp.: 3000K
 Beam angle: 24 (Special Order)°
 CRI: 97
 Standard Deviation of colour matching (SDCM): 2MacAdams Steps

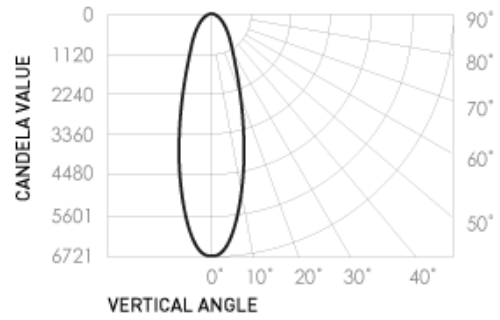


Source lumen output: 1415lm
 Delivered lumen: 920lm
 Efficacy: 56lm/W
 Colour temp.: 4000K
 Beam angle: 24 (Special Order)°
 CRI: 97
 Standard Deviation of colour matching (SDCM): 2MacAdams Steps



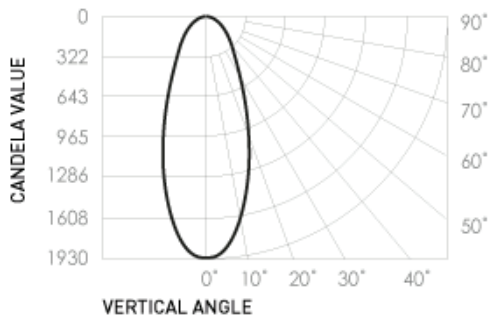
Source lumen output: 870lm
 Delivered lumen: 780lm
 Efficacy: 47lm/W
 Colour temp.: 1.8K-3.1K (Night Shift)
 Beam angle: 24 (Special Order)^o
 CRI: 97

Standard Deviation of colour matching (SDCM): 2MacAdams Steps



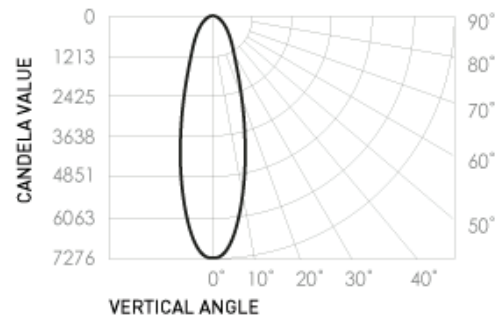
Source lumen output: 1420lm
 Delivered lumen: 925lm
 Efficacy: 56lm/W
 Colour temp.: 2.8K - 5.8K (Dayshift)(Special Order)
 Beam angle: 24 (Special Order)^o
 CRI: 97

Standard Deviation of colour matching (SDCM): 2MacAdams Steps



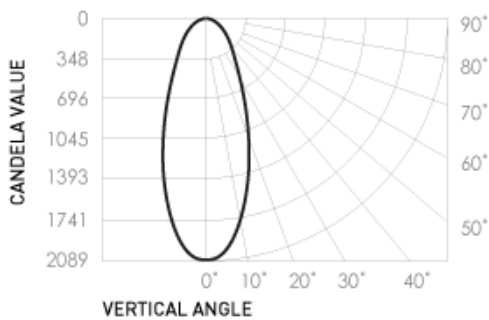
Source lumen output: 1420lm
 Delivered lumen: 925lm
 Efficacy: 56lm/W
 Colour temp.: 2.8K - 5.8K (Dayshift)(Special Order)
 Beam angle: 45^o
 CRI: 97

Standard Deviation of colour matching (SDCM): 2MacAdams Steps



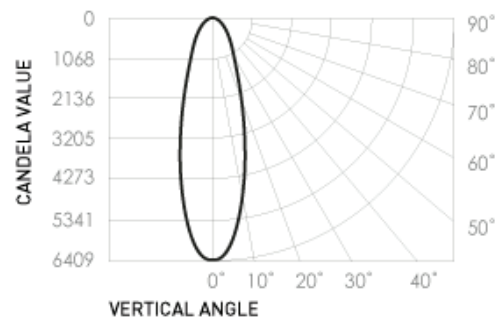
Source lumen output: 1540lm
 Delivered lumen: 1000lm
 Efficacy: 61lm/W
 Colour temp.: 5000K (Special Order)
 Beam angle: 24 (Special Order)^o
 CRI: 97

Standard Deviation of colour matching (SDCM): 2MacAdams Steps



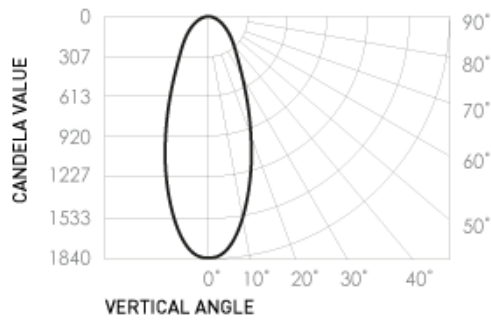
Source lumen output: 1540lm
 Delivered lumen: 1000lm
 Efficacy: 61lm/W
 Colour temp.: 5000K (Special Order)
 Beam angle: 45^o
 CRI: 97

Standard Deviation of colour matching (SDCM): 2MacAdams Steps



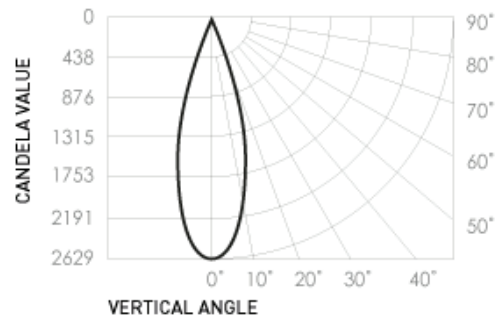
Source lumen output: 1355lm
 Delivered lumen: 880lm
 Efficacy: 53lm/W
 Colour temp.: 2700K (Special Order)
 Beam angle: 24 (Special Order)^o
 CRI: 97

Standard Deviation of colour matching (SDCM): 2MacAdams Steps



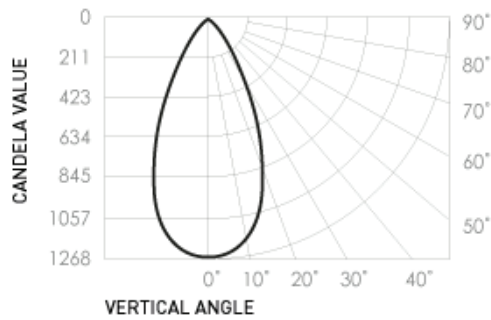
Source lumen output: 1355lm
 Delivered lumen: 880lm
 Efficacy: 53lm/W
 Colour temp.: 2700K (Special Order)
 Beam angle: 45°
 CRI: 97

Standard Deviation of colour matching (SDCM): 2MacAdams Steps



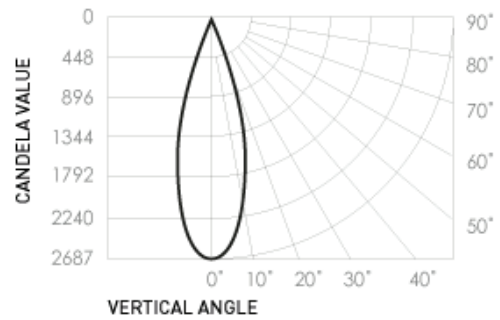
Source lumen output: 1385lm
 Delivered lumen: 900lm
 Efficacy: 55lm/W
 Colour temp.: 3000K
 Beam angle: 38 (Special Order)°
 CRI: 97

Standard Deviation of colour matching (SDCM): 2MacAdams Steps



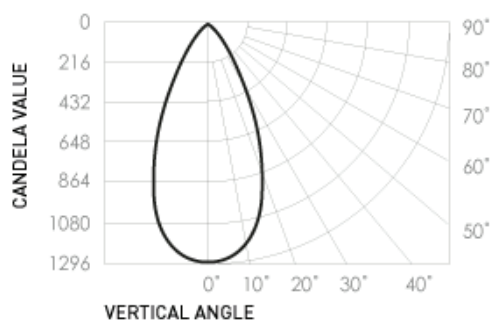
Source lumen output: 1385lm
 Delivered lumen: 900lm
 Efficacy: 55lm/W
 Colour temp.: 3000K
 Beam angle: 55 (Special Order)°
 CRI: 97

Standard Deviation of colour matching (SDCM): 2MacAdams Steps



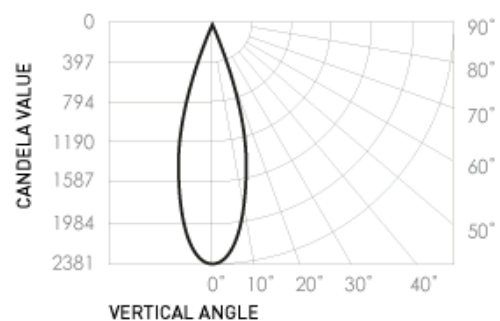
Source lumen output: 1415lm
 Delivered lumen: 920lm
 Efficacy: 56lm/W
 Colour temp.: 4000K
 Beam angle: 38 (Special Order)°
 CRI: 97

Standard Deviation of colour matching (SDCM): 2MacAdams Steps



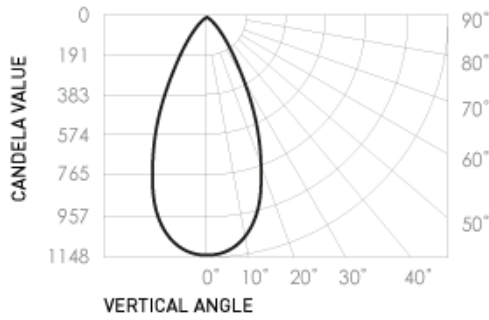
Source lumen output: 1415lm
 Delivered lumen: 920lm
 Efficacy: 56lm/W
 Colour temp.: 4000K
 Beam angle: 55 (Special Order)°
 CRI: 97

Standard Deviation of colour matching (SDCM): 2MacAdams Steps



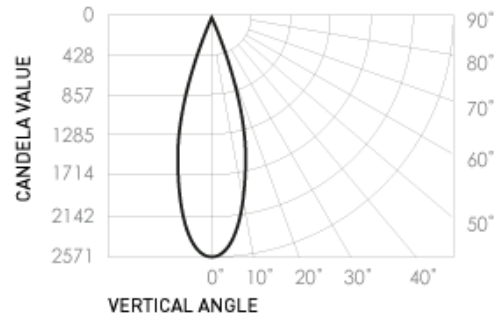
Source lumen output: 870lm
 Delivered lumen: 780lm
 Efficacy: 47lm/W
 Colour temp.: 1.8K-3.1K (Night Shift)
 Beam angle: 38 (Special Order)°
 CRI: 97

Standard Deviation of colour matching (SDCM): 2MacAdams Steps



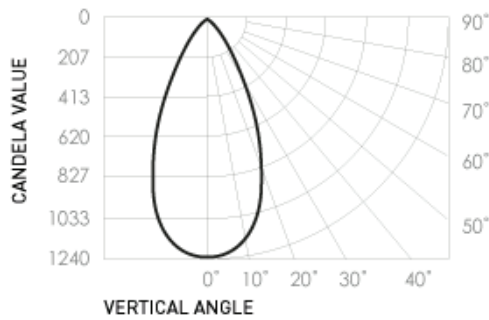
Source lumen output: 870lm
 Delivered lumen: 780lm
 Efficacy: 47lm/W
 Colour temp.: 1.8K-3.1K (Night Shift)
 Beam angle: 55 (Special Order)
 CRI: 97

Standard Deviation of colour matching (SDCM): 2MacAdams Steps



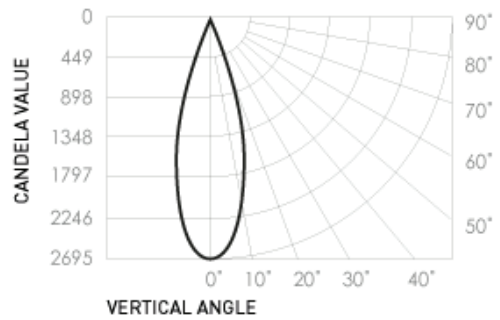
Source lumen output: 1355lm
 Delivered lumen: 880lm
 Efficacy: 53lm/W
 Colour temp.: 2700K (Special Order)
 Beam angle: 38 (Special Order)
 CRI: 97

Standard Deviation of colour matching (SDCM): 2MacAdams Steps



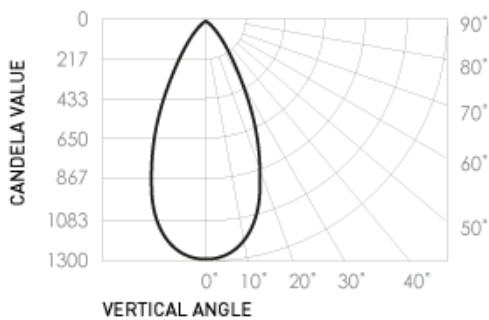
Source lumen output: 1355lm
 Delivered lumen: 880lm
 Efficacy: 53lm/W
 Colour temp.: 2700K (Special Order)
 Beam angle: 55 (Special Order)
 CRI: 97

Standard Deviation of colour matching (SDCM): 2MacAdams Steps



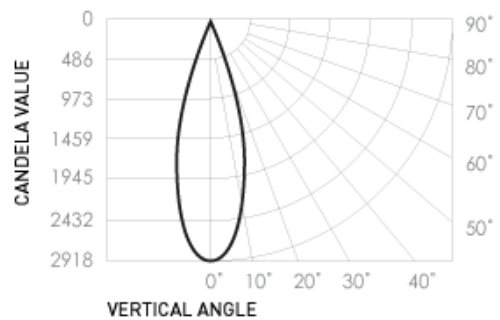
Source lumen output: 1420lm
 Delivered lumen: 925lm
 Efficacy: 56lm/W
 Colour temp.: 2.8K - 5.8K (Dayshift)(Special Order)
 Beam angle: 38 (Special Order)
 CRI: 97

Standard Deviation of colour matching (SDCM): 2MacAdams Steps



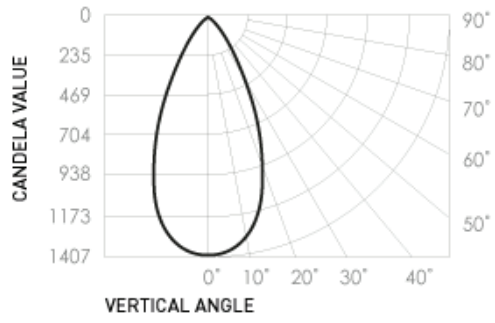
Source lumen output: 1420lm
 Delivered lumen: 925lm
 Efficacy: 56lm/W
 Colour temp.: 2.8K - 5.8K (Dayshift)(Special Order)
 Beam angle: 55 (Special Order)
 CRI: 97

Standard Deviation of colour matching (SDCM): 2MacAdams Steps



Source lumen output: 1540lm
 Delivered lumen: 1000lm
 Efficacy: 61lm/W
 Colour temp.: 5000K (Special Order)
 Beam angle: 38 (Special Order)
 CRI: 97

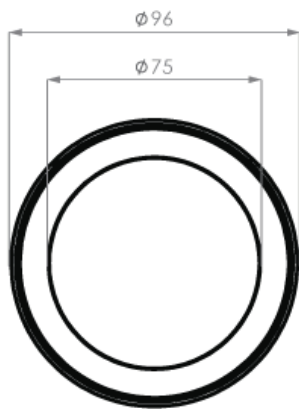
Standard Deviation of colour matching (SDCM): 2MacAdams Steps



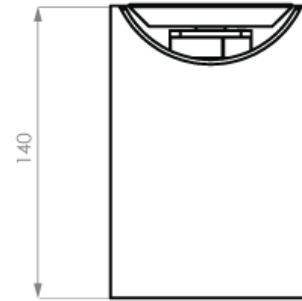
Source lumen output: 1540lm
Delivered lumen: 1000lm
Efficacy: 61lm/W
Colour temp.: 5000K (Special Order)
Beam angle: 55 (Special Order)°
CRI: 97
Standard Deviation of colour matching (SDCM): 2MacAdams Steps

Dimensions (mm)

Front view



Side view



Electrical

Input voltage: 220-240V	Power usage: 16.5W	Driver power factor: 0.93	IP rating: IP44	Surge protection: 3100V
Dimmable: Yes	Driver: BG-018ASD-385mA BG-018SMART-500mA-ROUND-DS			

Operational

Operating temp.: -30 to 81°C	Average temp.: 56°C	Ambient temp.: -28 to 70°C	Lifetime L70, B10: 70,000 hrs (@TA25)	Source Lumens: 1415lm or 870lm or 1385lm or 1420lm or 1540lm or 1355lm
SDCM: 2MacAdam Steps				

Physical

Weight: 730g	Gimbal angle: 90°/360°	Warranty: 7 years	Version: 1.5	Style: Capsule
Filters: Amber	Fascia Size: 108	Filter size: 100		

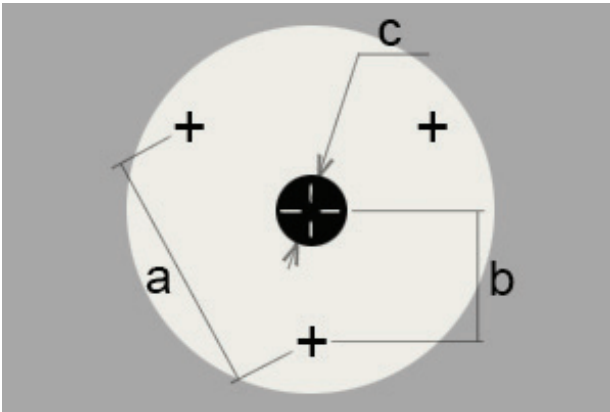
Compatibility

Recommended Dimmers:
Compatible with leading home automation systems and dimmers.
Recommended Dimmers:
Universal, Trailing Edge, Leading Edge.
Dali option available on request.

Brightgreen Smart Lighting:
Dimmable LED driver utilises Zigbe 3.0 protocol
Compatible with universal Zigbee Hub products such as Philips Hue
Samsung Smart Things.
Follow pairing procedure found in smart driver datasheet
*For more details please call 1300 672 499 for advice on your installation.

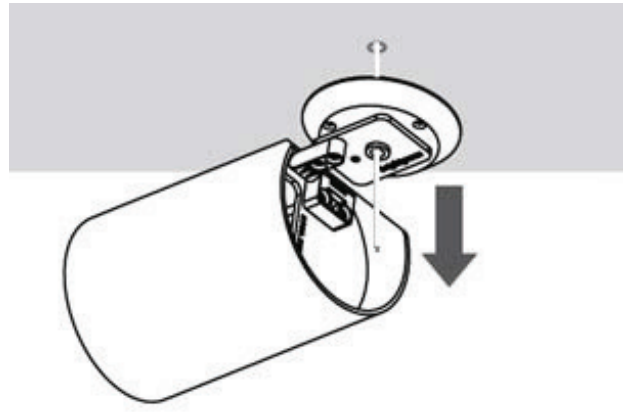
*For more details please refer to:
<https://brightgreen.com/digital-driver>
All systems are unique, please
call 1300 672 499 for advice on your installation.

Installation



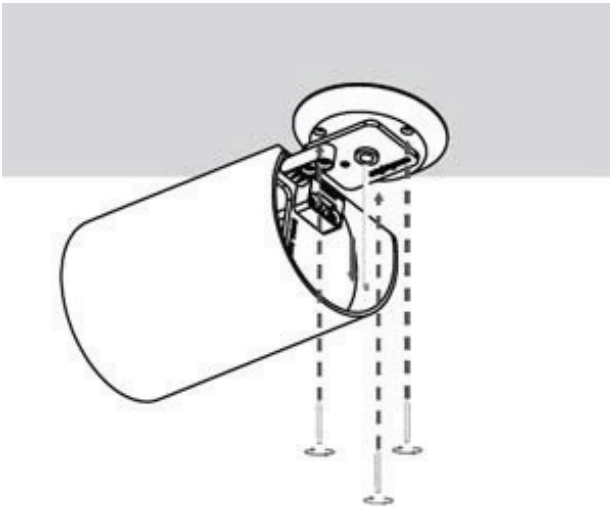
Step 1

Ceiling mount hole piloting.
a=43mm ; b=25mm ; c=6.5mm



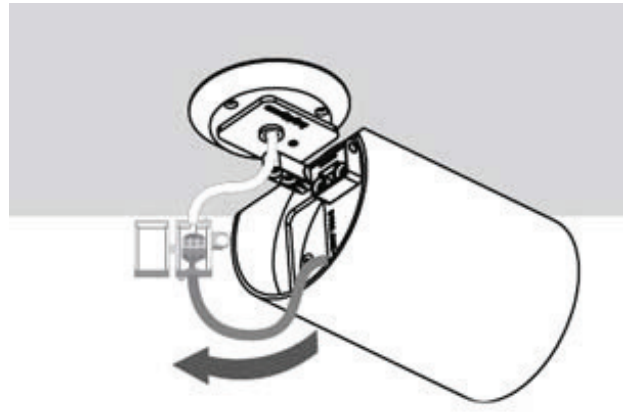
Step 2

Thread the power cable through the base plate and align the base plate to the roof.



Step 3

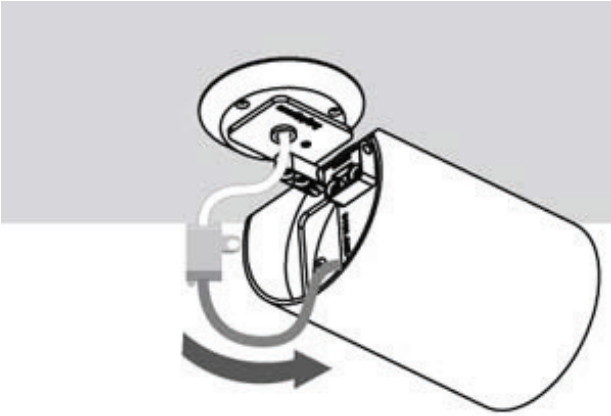
Fasten the base plate to the roof using the provided screws.



Step 4

Remove the junction box from the back cavity of the D900 SHX.
Open the junction box and connect the power cable to the junction box.
Re-attach cover of junction box inline with Australian standards.

Installation



Step 5

Slot the junction box back into the D900 SHX cavity.