

# D700.SHX.CL Curve LED Downlight

## Datasheet

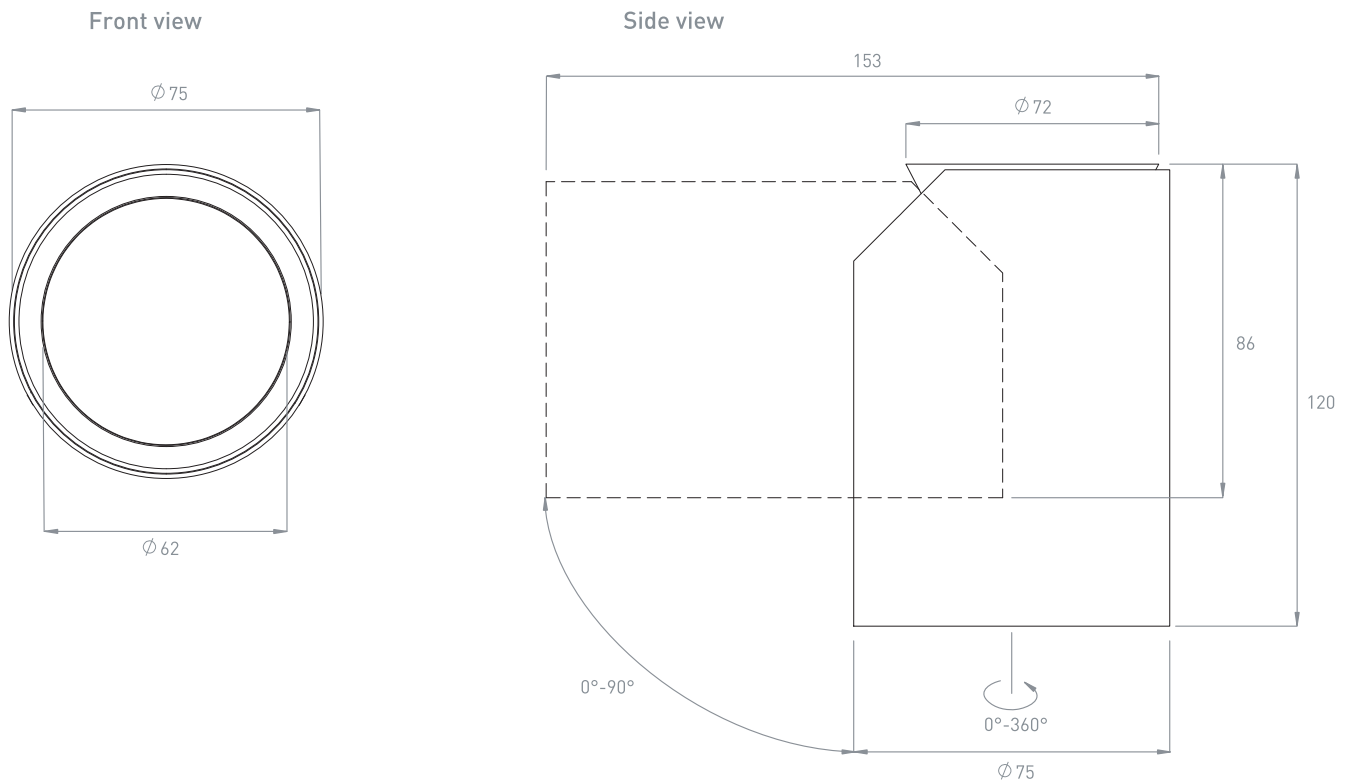


**TRU-COLOUR®**

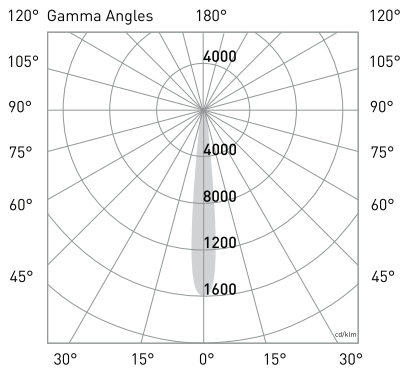
### Product Codes

|   |                           |  |   |  |
|---|---------------------------|--|---|--|
| <b>Unit:</b><br>D700.SHX.CL   | <b>Series:</b><br>CR      | <b>Colour temp. (K):</b><br>2.8K (2800K)<br>3K (3000K)<br>4K (4000K)<br>6K (6000K)<br>1.8K.3.1K (1800K-3100K)<br>2.8K.6K (2800K-6000K) | <b>Beam Angle (°):</b><br>11 (Very Narrow)<br>22 (Narrow)<br>36 (Medium-Narrow)<br>44 (Medium)<br>55 (Standard)<br>WWN (Wall wash narrow)<br>E35.70 (Elyptical)<br>ULG.55 (Ultra low glare) | <b>Colour:</b><br>B (Black)<br>W (White) |
| <b>Control:</b><br>PH (Phase Dimming)<br>DA (DALI)<br>ZG (ZIGBEE 3.0)<br>CS (CASAMBI) | <b>Generation:</b><br>4.0 |  |   |  |

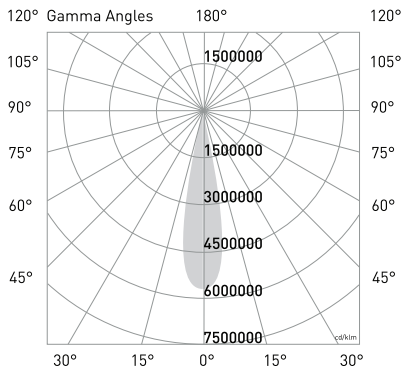
### Dimensions (mm)



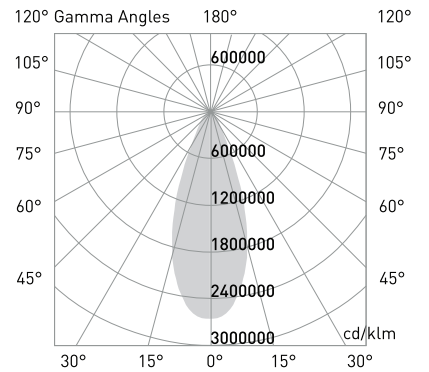
Photometric Diagrams



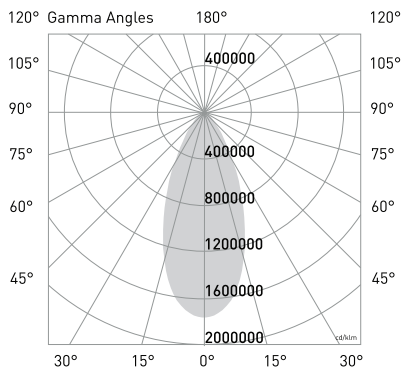
Beam Angle: 11° (Very Narrow)



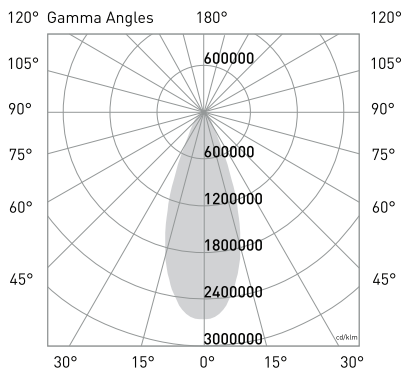
Beam Angle: 22° (Narrow)



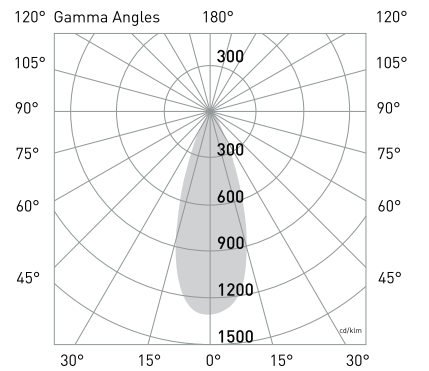
Beam Angle: 36° (Medium-Narrow)



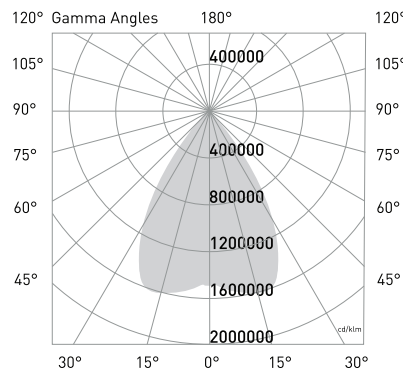
Beam Angle: 44° (Medium)



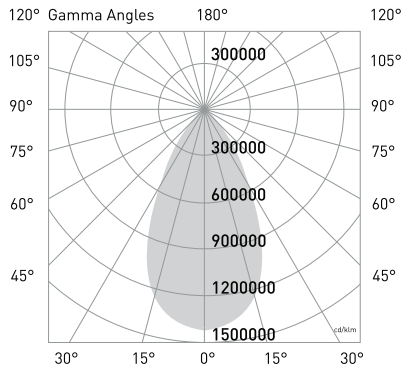
Beam Angle: 55° (Standard)



Beam Angle: WWN (Wall wash narrow)



Beam Angle: E35.70 (Elliptical)



Beam Angle: ULG.55 (Ultra low glare)

## CCT Output

**CCT:** 2800K  
**Efficacy:** 70lm/W  
**Delivered lumen output:** 745lm  
**CRI:** 98  
**Standard deviation of colour Matching (SDCM):** 2 MacAdam steps

**CCT:** 3000K  
**Efficacy:** 72lm/W  
**Delivered lumen output:** 760lm  
**CRI:** 98  
**Standard deviation of colour Matching (SDCM):** 2 MacAdam steps

**CCT:** 4000K  
**Efficacy:** 73lm/W  
**Delivered lumen output:** 775lm  
**CRI:** 98  
**Standard deviation of colour Matching (SDCM):** 2 MacAdam steps

**CCT:** 6000K  
**Efficacy:** 80lm/W  
**Delivered lumen output:** 845lm  
**CRI:** 98  
**Standard deviation of colour Matching (SDCM):** 2 MacAdam steps

**CCT:** 1800K-3100K  
**Efficacy:** 72lm/W  
**Delivered lumen output:** 760lm  
**CRI:** 98  
**Standard deviation of colour Matching (SDCM):** 2 MacAdam steps

**CCT:** 2800K-6000K  
**Efficacy:** 72lm/W  
**Delivered lumen output:** 760lm  
**CRI:** 98  
**Standard deviation of colour Matching (SDCM):** 2 MacAdam steps

## Electrical

|                                   |                              |                          |                                     |                        |                                 |                                 |
|-----------------------------------|------------------------------|--------------------------|-------------------------------------|------------------------|---------------------------------|---------------------------------|
| <b>Input Voltage:</b><br>220-265V | <b>Power Usage:</b><br>10.6W | <b>Current:</b><br>230mA | <b>Driver Power Factor:</b><br>>0.9 | <b>Dimming:</b><br>Yes | <b>DC Cable Length:</b><br>0.3m | <b>AC Cable Length:</b><br>0.6m |
|-----------------------------------|------------------------------|--------------------------|-------------------------------------|------------------------|---------------------------------|---------------------------------|

*Note: Dayshift (2.8K,6K) will only work with DALI DT8 or ZIGBEE driver*

## Physical

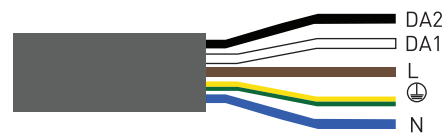
|                                      |                           |                           |
|--------------------------------------|---------------------------|---------------------------|
| <b>Gimbal Angle (°):</b><br>90°/360° | <b>IP Rating:</b><br>IP44 | <b>IK Rating:</b><br>IK05 |
|--------------------------------------|---------------------------|---------------------------|

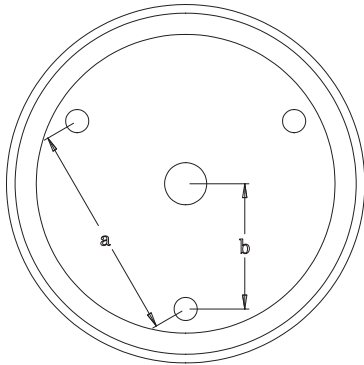
## Operational

|  |   |  |   |                              |                          |
|--|---|--|---|------------------------------|--------------------------|
| <b>Ambient temp.:</b><br>-28°C to 60°C | <b>UGR:</b><br><13 (50° Lens, X=4H, Y=8H) | <b>Lifetime L70, B10:</b><br>70,000hrs (@TA85) | <b>Lifetime L70, B50:</b><br>100,000hrs (@TA25) | <b>Warranty:</b><br>10 Years | <b>STC Rating:</b><br>45 |
|--|---|--|---|------------------------------|--------------------------|

## Power Cable Diagram

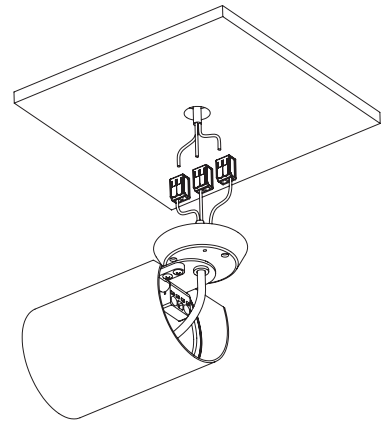
| LED CHANNEL | WIRE COLOR             |
|-------------|------------------------|
| DA2         | Black                  |
| DA1         | White                  |
| L           | Brown                  |
| ⊕           | Yellow & Green (Earth) |
| N           | Blue                   |





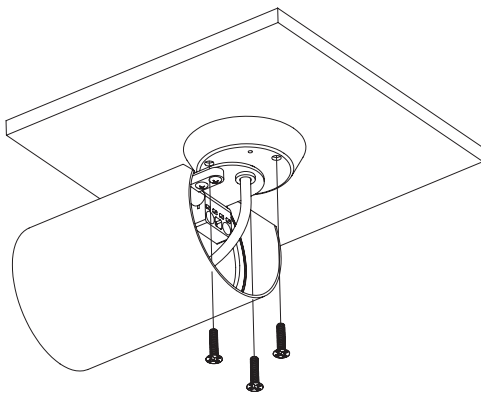
### Step 1

Using the base plate as a guide, pilot hole the points where the 3 mounting screws will be drilled in.  
a = 39.8mm b = 23mm



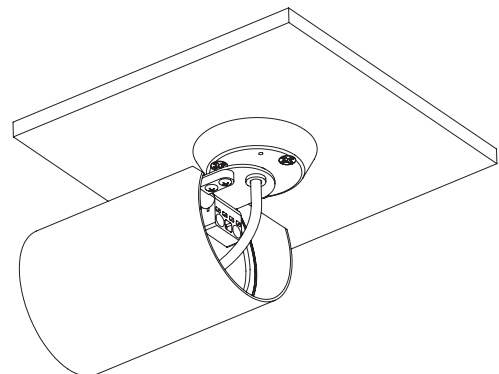
### Step 2

Thread the power cable through the base plate.  
Connect the power cable.



### Step 3

Align the base plate to the ceiling, and fasten the base plate to the ceiling using the 3 mounting screws.



### Step 4

Installation complete.