

NS216 SURFACE MOUNT

Datasheet

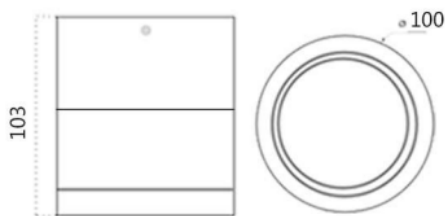


TRU-COLOUR®

Product Codes

Unit: NS216	Series: CR	Colour temp. (K): 3K (3000K)	Beam Angle (°): 36°	Colour: B (BLACK) W (WHITE)	Control: PHASE (Phase Dimming)	Version: 1.0
-----------------------	----------------------	--	-------------------------------	--	---	------------------------

Dimensions (mm)



Photometrics

CCT: 3000K

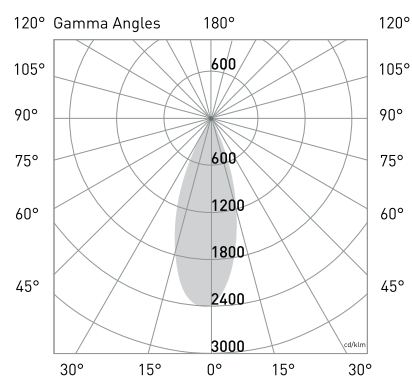
Delivered lumen output: 1474lm

CRI: 85+

Standard deviation of colour

Matching (SDCM): 2 MacAdam steps

Beam angle: 36°



Electrical

Input Voltage:
240V

Power Usage:
14W

Current:
250mA

Driver power factor:
>0.9

Dimmable:
Yes

IP Rating:
IP20

IK Rating:
IK07

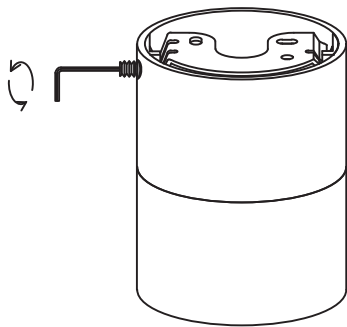
Operational

Ambient temp.:
-20°C to 40°C

Warranty:
3 Years

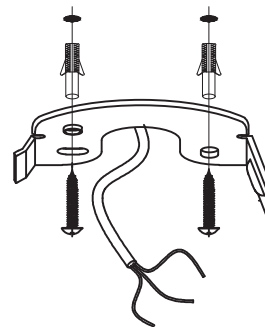
Lifetime:
50,000 hrs

Installation



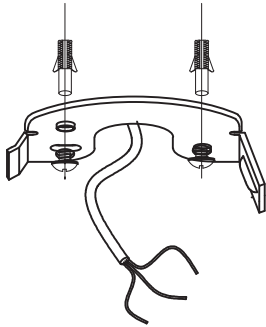
Step 1

Unscrew one grub screw from the junction box of the luminaire housing to release the base plate and junction box.



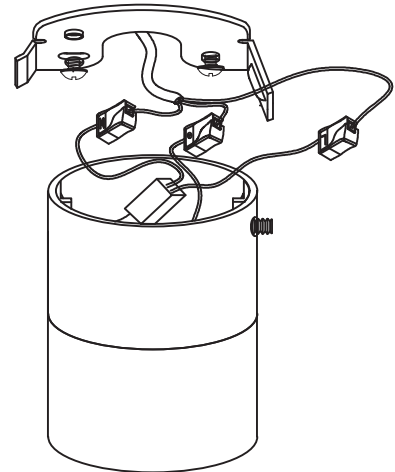
Step 2

Thread the power cable through the base plate. Use the base plate as a guide to drill two pilot holes for the wall plugs.



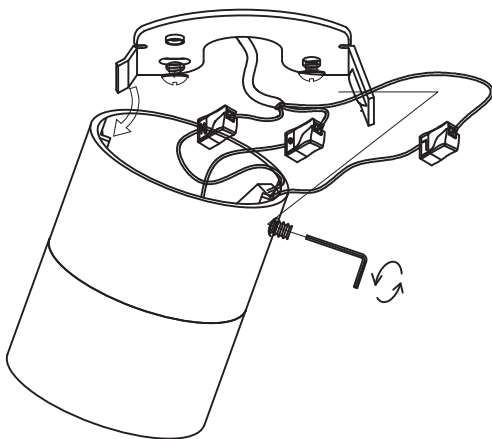
Step 3

Once wall plugs have been pressed into the wall fasten the base plate to the wall using the screws provided.



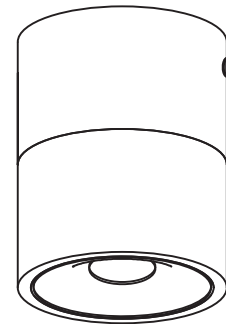
Step 4

Once wall plugs have been pressed into the wall fasten the base plate to the wall using the screws provided.



Step 5

Tilt the light body so that one end of the junction box snaps onto the base plate and secure by screwing the grub screw back in.



Step 6

Once the light is installed, orient the luminaire to focus the light as required.